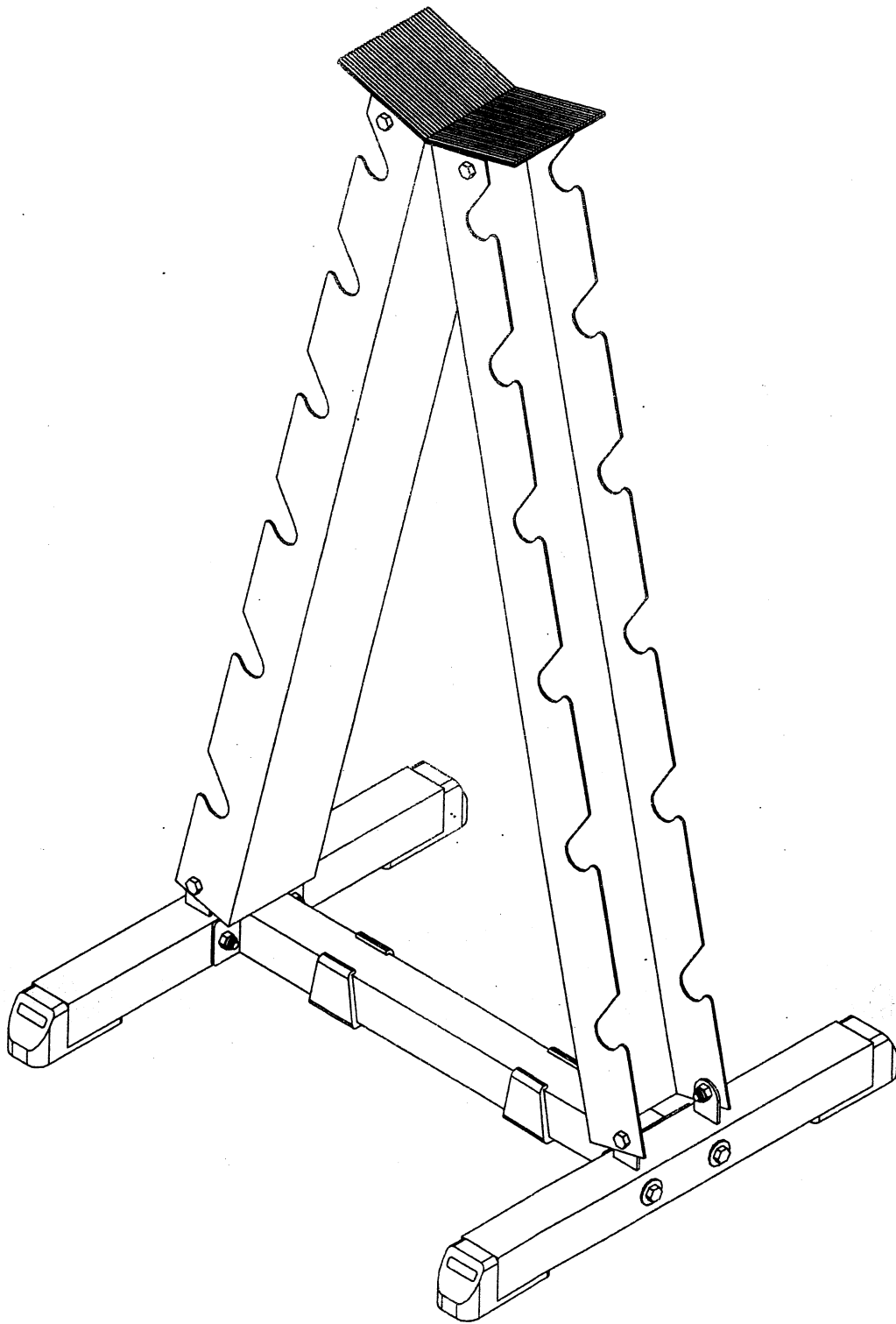


GDR-44



VERSION 0505

HARDWARE ILLUSTRATION SHEET

PARTS ILLUSTRATION SHEET

- Qty.
- A1. M10X70L Hex Head Bolt _____ [4PCS]
 - A2. M10X20L Hex Head Bolt _____ [8PCS]
 - B1. M10 Nylon Lock Nut _____ [12PCS]
 - C1. M10 (I.D) Washer _____ [4PCS]
 - D1. Foot Cap (9211-024) _____ [4PCS]
 - D2. 2"X2" RUBBER DOUNT (9212-010) _____ [2PCS]

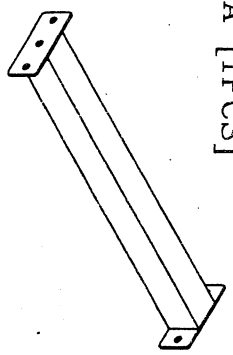
- A1. A2. B1. C1.



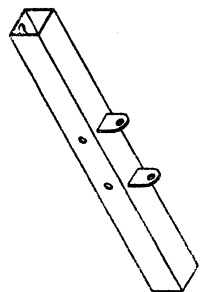
- D1. D2.



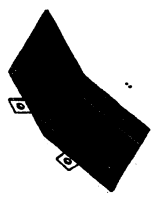
A [1PCS]



B [2PCS]



C [1PCS]



D [2PCS]

