

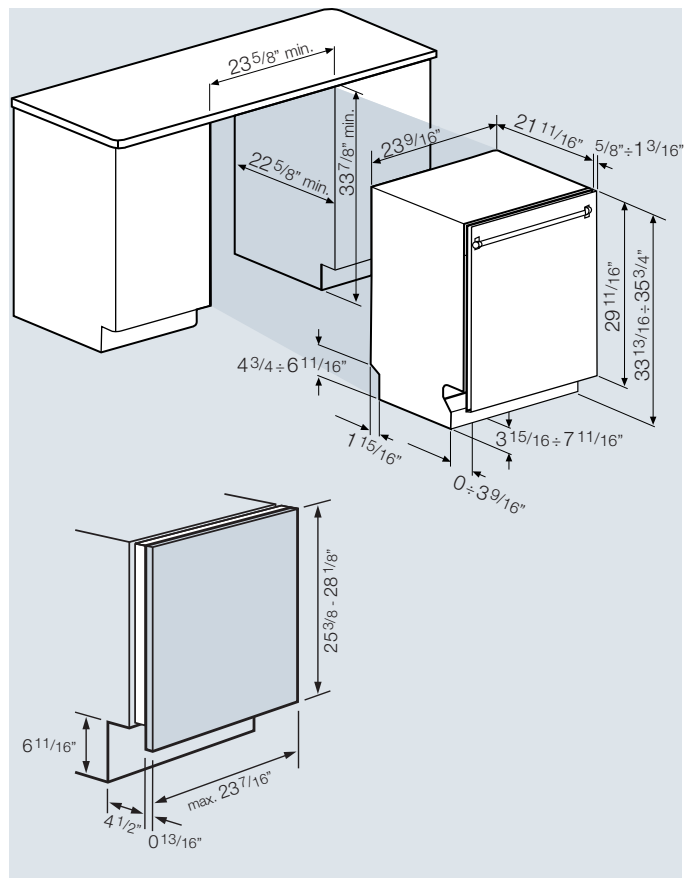
# Electronic dishwashers'



**LFA-086 XL**  
**Fully integrated**  
**Full stainless steel door**  
**10 wash cycles**  
 Item number: 926010488

**LFA-086 XL IT**  
**Fully integrated**  
**Customizable. 10 Wash cycles**  
 Item number: 926010503

- ECO sensor: monitors water quality and adjusts consumption accordingly.
- Ultra silent: 45 dB(A).
- Alternating wash.
- Perfect drying.
- Third sprinkler.
- 10 washing cycles: pre-wash, normal, intense, glassware, delicate, super-intensive, economy, quick (34 minutes), automatic and dish warming.
- Height adjustable top rack easily accommodates larger items.
- Bottom rack with fold-down supports.
- Digital display indicates:
  - program selected
- Programmable time delay up to 9 hours.
- End-of-cycle signal.
- Dual zone option allows single rack washing.
- Aqua-stop safety.
- Water softener and electronic regeneration.
- Sanitized process leaves dishes bacteria free. Included in two cycles: automatic and super-intensive.
- Baskets gray anthracite.



**X**  
 stainless steel  
 fingerprint  
 resistant

