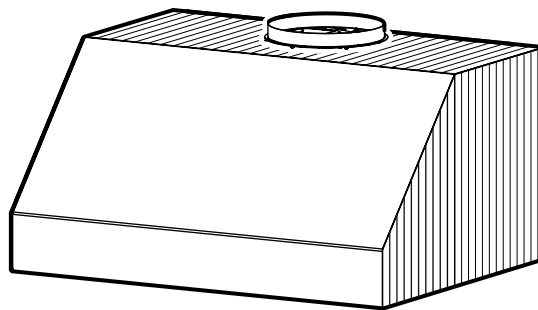


EPD61 SERIES RANGE HOOD



Especially designed to be installed outdoors in a covered patio or lanai area. For use over residential commercial-style cooking surfaces or gas and electric grills. This unit is not for use with a charcoal grill. A complete installation requires several optional components. Refer to page 2 when planning your installation.

FEATURES

- Professional outdoor design.
- 27" depth handles heat and size of outdoor grills. (optional 3" wall extension to increase depth to 30").
- Brushed corrosion resistant 304 Stainless Steel.
- Two widths: 36" and 48".
- Powerful, 1100 CFM internal blower - tested to assure operation in corrosive environments.
- Bright halogen lighting (2 x 50 watt GU10 for 36" hood, 3 x 50 watt GU10 for 48" hood) (bulbs not included).
- 3-speed rotary control - tested to assure operation in corrosive environments.
- 304 Stainless Steel baffle filters - easily accessible and dishwasher-safe.
- Removable grease tray - easy to clean.
- Heat Sentry™ detects excessive heat and adjusts blower speed automatically.
- UL Listed for use in damp locations when properly connected to a GFCI circuit.

SPECIFICATIONS

VOLTS	HZ	AMPS	CFM	SONES	DUCT
120	60	9.0 MAX.	1100	11.0	10" ROUND



HVI-2100 CERTIFIED RATINGS comply with new testing technologies and procedures prescribed by the Home Ventilating Institute, for off-the-shelf products, as they are available to consumers. Product performance is rated at 0.1 in. static pressure, based on tests conducted in a state-of-the-art test laboratory. Sones are a measure of humanly-perceived loudness, based on laboratory measurements.

WALL EXTENSION (optional)

- Extends front of hood out an extra 3" (to 30") - eliminates custom wall bump-outs.
- Stainless Steel construction - matches range hood.
- Attaches to wall and back of range hood.

Model AWEPD36SS - 36" width
 Model AWEPD48SS - 48" width

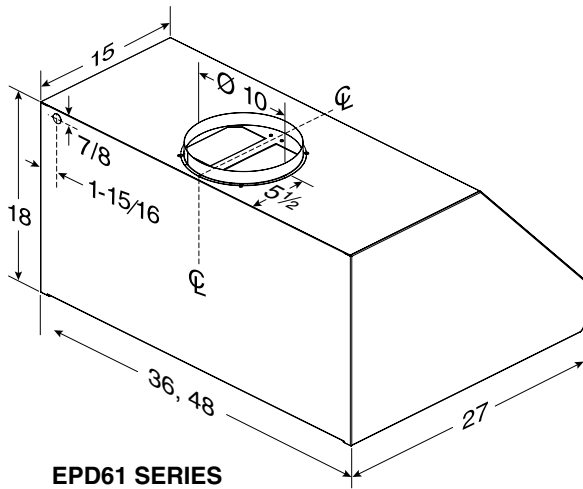
FLUE COVER (optional)

- Stainless Steel construction - matches range hood.
- Attaches to top of range hood shell.
- Hides ducting and wipes clean easily.
- Extended depth available for hoods using the 3" wall extension.

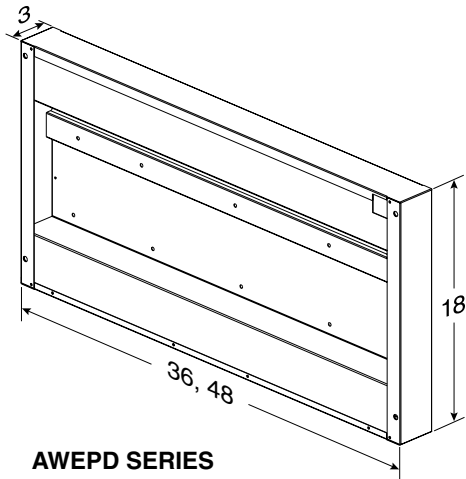
Model AEEP6SS - 6" high - for 8-ft. ceiling - standard depth
 Model AEEP6SSE - 6" high - for 8-ft. ceiling - extended depth
 Model AEEP18SS - 18" high - for 9-ft. ceiling - standard depth
 Model AEEP18SSE - 18" high - for 9-ft. ceiling - extended depth
 Model AEEP30SS - 30" high - for 10-ft. ceiling - standard depth
 Model AEEP30SSE - 30" high - for 10-ft. ceiling - extended depth

Broan-NuTone LLC Hartford, Wisconsin www.broan.com 800-558-1711
 Broan-NuTone Canada Mississauga, Ontario www.broan.ca 877-896-1119

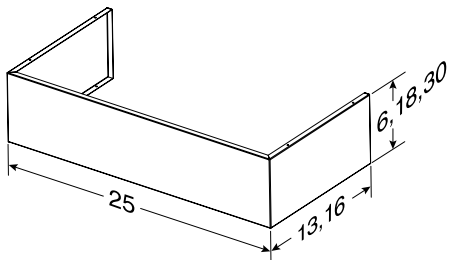
REFERENCE	QTY.	REMARKS	Project	
			Location	
			Architect	
			Engineer	
			Contractor	
			Submitted by	Date



EPD61 SERIES RANGE HOOD



AWEPD SERIES WALL EXTENSION



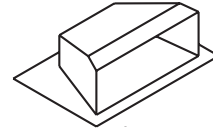
AEEP SERIES FLUE COVER

EPD61 SERIES HOOD SYSTEM

Model 441
10" ROUND WALL CAP



Model 437
HIGH CAPACITY ROOF CAP



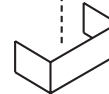
Model 418
10" ROUND ADJUSTABLE ELBOW (Optional)



Model 410
10" ROUND DUCT (2 ft. sections)



AEEP Series
DECORATIVE FLUE (Optional)



EPD61 Series
RANGE HOOD

