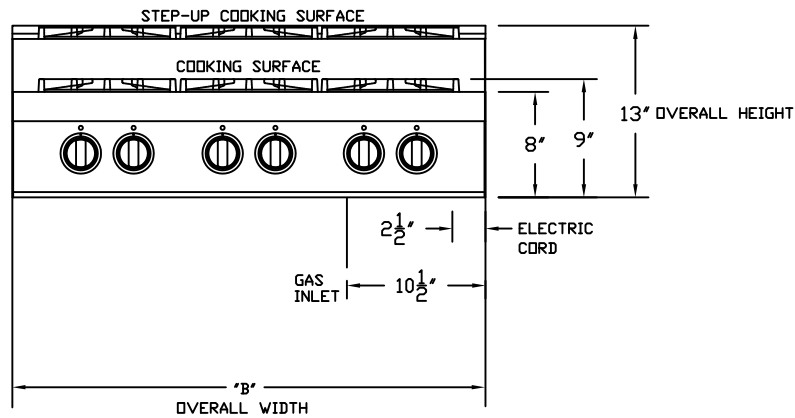


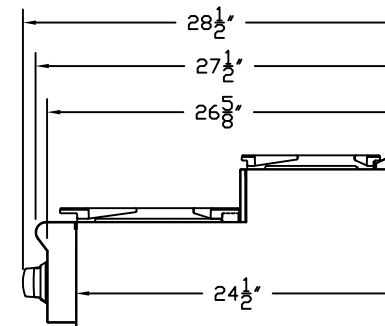
OVERALL DIMENSIONS

SLIDE-IN STEP UP RANGETOPS

SIZE	'A'	'B'
24 IN.	24"	23.875"
30 IN.	30"	29.875"
36 IN.	36"	35.875"
48 IN.	48"	47.875"
60 IN.	60"	59.875"

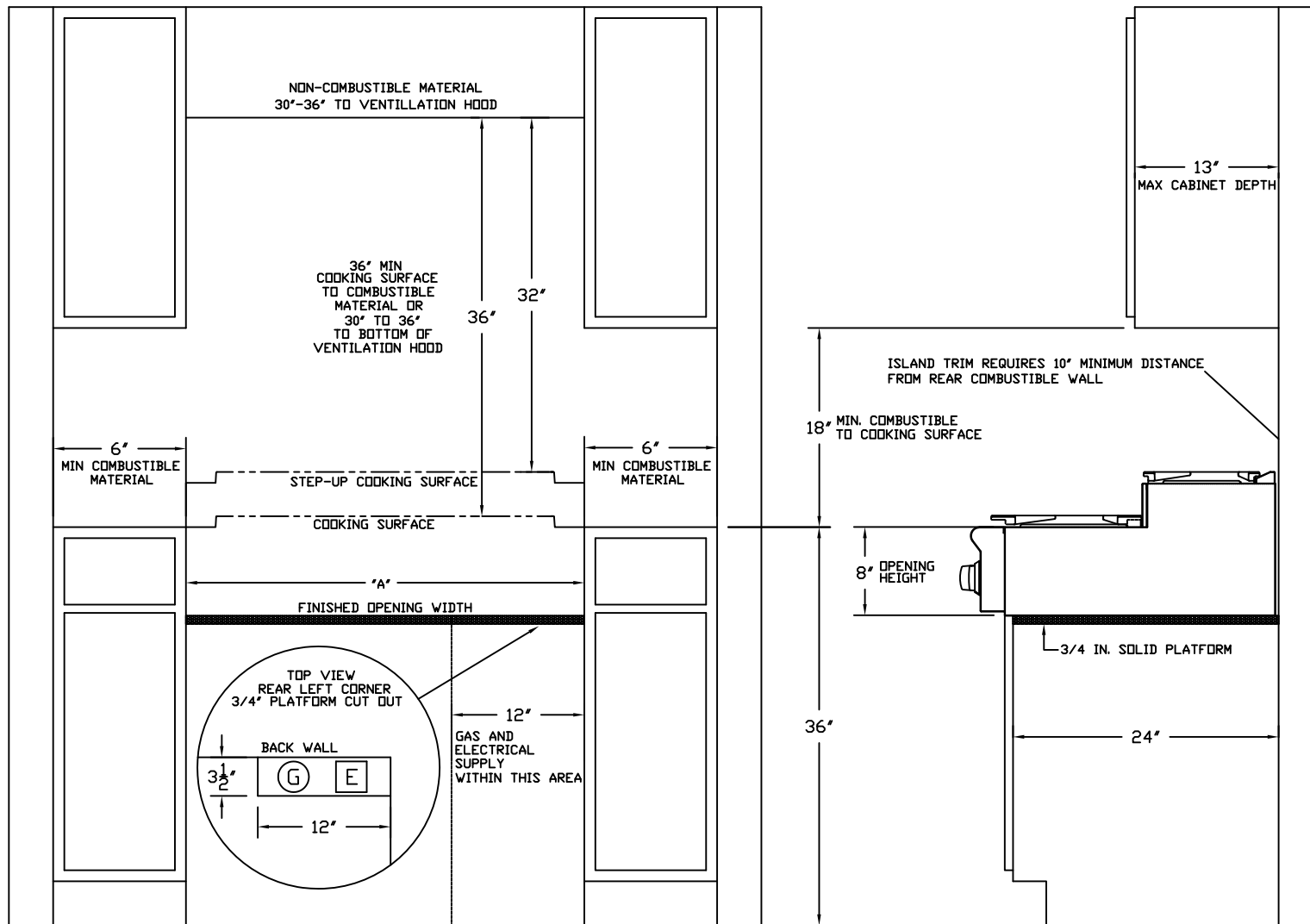


OVERALL DEPTH



INSTALLATION SPECIFICATIONS

SLIDE-IN STEP UP RANGE TOPS



G E LOCATION OF GAS AND ELECTRICAL SUPPLY

- ELECTRIC OUTLET - STANDARD 3 PRONG 120 V
- ALLOW FOR A SHUT OFF VALVE AT GAS OUTLET
- ISLAND OR PENINSULA INSTALLATIONS REQUIRES A 10" MINIMUM CLEARANCE FROM BACK OF RANGE TO A COMBUSTIBLE SURFACE
- ISLAND TRIM 0 IN. CLEARANCE TO NON COMBUSTIBLE SURFACE
- NO SIDE WALL ABOVE COOKING SURFACE
- ALLOW FOR A SHUT OFF VALVE AT GAS OUTLET