

Ice-O-Matic[®]

SERVICE PARTS MANUAL

ICE SERIES CUBERS

MODEL - ICE0250A5-T5-W5, ICE0400A4-T4-W4

MODEL - ICE0500A4-T4-W4-R5

MODEL - ICE0606A4,5-T4,5,6-W4,5-R5,6

Includes 50Hz. Units



This parts list contains the service parts available for the ICE Series icemakers listed below:

ICE0250 A5, T5 and W5, Includes 50 hz. Models

ICE0400 A4, T4 and W4, Includes 50 hz. Models

ICE0500 A4, T4, W4 and R5

ICE0606 A4,5 - T4,5,6 - W4,5 and R5,6 Includes 50 hz. Models

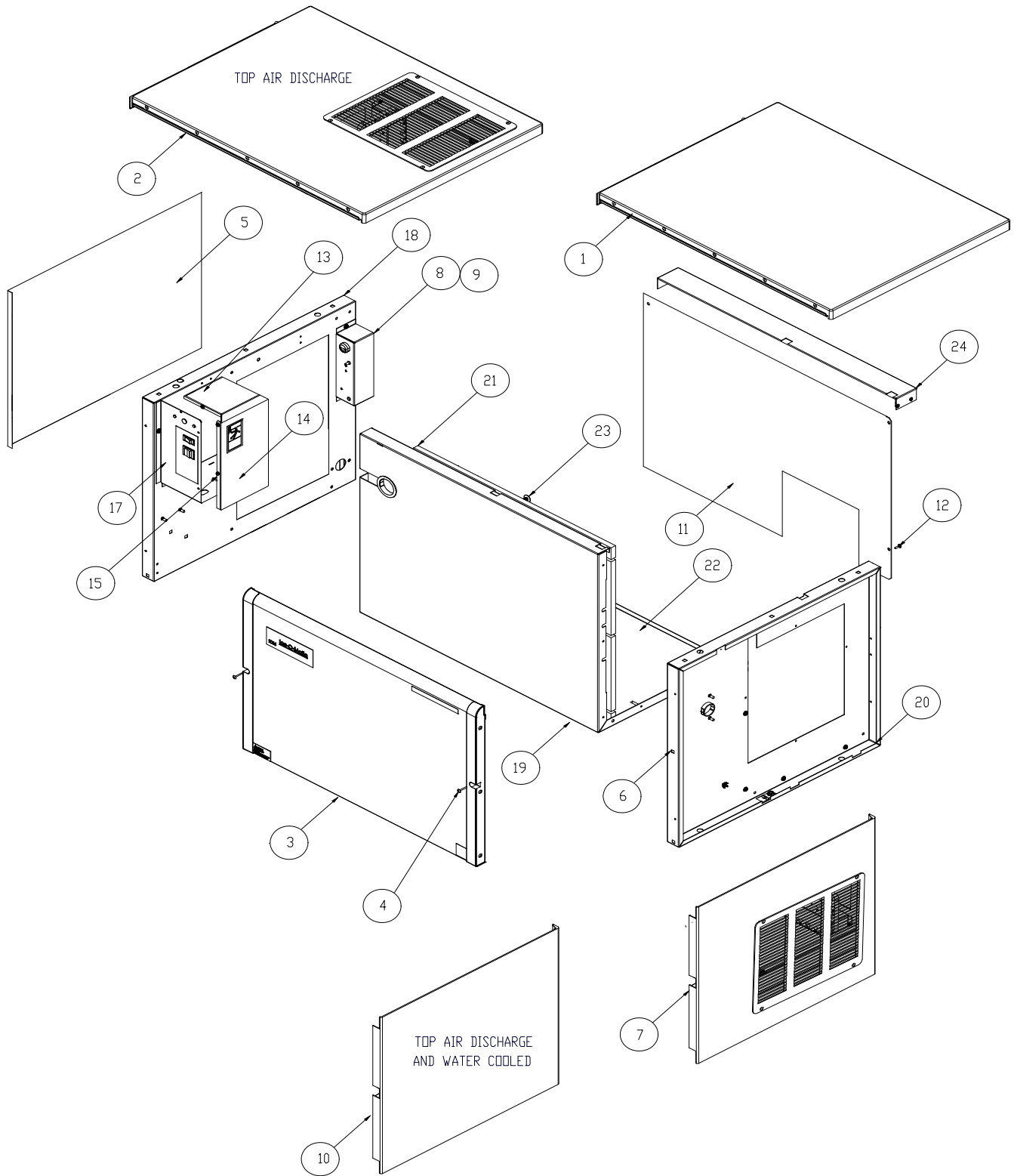
Check the model number on the data plate and refer to the correct listing for the specific component.

Check carefully that the correct part is identified and ordered.

| | |
|--------------------------------|--------------|
| Table of Contents | Page 1 |
| Cabinet Assembly | Page 2 - 3 |
| Evaporator/Water System | Page 4 - 5 |
| Air Cooled and Top Discharge | Page 6 - 7 |
| Water Cooled | Page 8 - 9 |
| Remote | Page 10 - 11 |
| Control Box | Page 12 - 13 |
| Harvest Assist Assembly | Page 14 - 15 |
| Remote Condenser | Page 16 - 17 |
| Specific Compressor Components | Page 18 |

The ICE Series Service Manual is available separately, Part number 9081270-01

Ice-O-Matic
11100 East 45th Ave.
Denver Co. 80239
800-423-3367

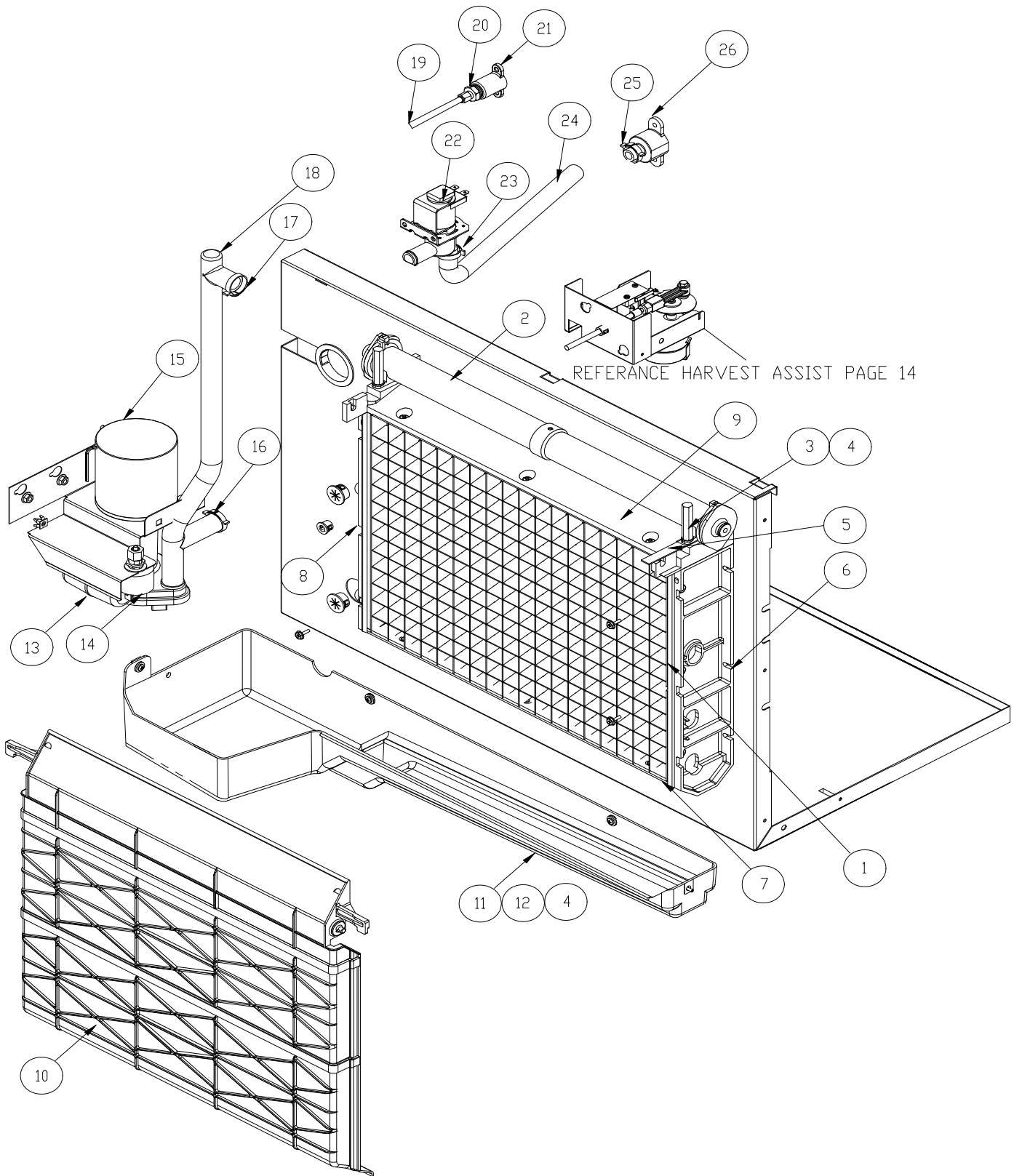


ICE Series Service Parts

Cabinet Assembly

| Item No. | Model Number | | | | | Description |
|----------|--------------|-------------|-------------|-------------|-------------|--|
| | ICE0250 | ICE0400 | ICE0406 | ICE0500 | ICE0606 | |
| 1 | 2101425-01S | 2101425-01S | 2101425-01S | 2101425-01S | 2101425-01S | Top Panel-Air Cooled |
| 2 | 2101425-02S | 2101425-02S | 2101425-02S | 2101425-02S | 2101425-02S | Top Panel w/plastic insert-Top Discharge |
| | 2101425-04S | 2101425-04S | 2101425-04S | 2101425-04S | 2101425-04S | Top Panel-metal grill-Top Discharge |
| 3 | 2031511-01S | 2031511-01S | 2031511-01S | 2031511-01S | 2031511-01S | Front Panel |
| | 9051562-01 | 9051562-01 | 9051562-01 | 9051562-01 | 9051562-01 | Front Panel End Cap, Right Hand |
| | 9051562-02 | 9051562-02 | 9051562-02 | 9051562-02 | 9051562-02 | Front Panel End Cap, Left Hand |
| 4 | 9031098-04 | 9031098-04 | 9031098-04 | 9031098-04 | 9031098-04 | Front Panel Screw |
| 5 | 9051565-02 | 9051565-02 | 9051565-02 | 9051565-02 | 9051565-02 | Left Hand Side Panel |
| 6 | 9031141-01 | 9031141-01 | 9031141-01 | 9031141-01 | 9031141-01 | Plastic Nut Insert |
| 7 | 2101428-01S | 2101428-01S | 2101428-01S | 2101428-01S | 2101428-01S | Right Hand Side Panel-Louvered |
| 8 | 3012681-01 | 3012681-01 | 3012681-01 | 3012681-01 | 3012681-01 | Junction Box Cover |
| 9 | 9031046-01 | 9031046-01 | 9031046-01 | 9031046-01 | 9031046-01 | Junction Box Cover Screw |
| 10 | 9051565-02 | 9051565-02 | 9051565-02 | 9051565-02 | 9051565-02 | Right Hand Side Panel Non-Louvered |
| 11 | 3021742-01 | 3021742-01 | 3021742-01 | 3021742-01 | 3021742-01 | Rear Panel |
| 12 | 9031046-01 | 9031046-01 | 9031046-01 | 9031046-01 | 9031046-01 | Rear Panel Screw |
| 13 | 3012905-01 | 3012905-01 | 3012905-01 | 3012905-01 | 3012905-01 | Control Box Top Cover |
| 14 | 3012904-01 | 3012904-01 | 3012904-01 | 3012904-01 | 3012904-01 | Control Box Side Cover |
| 15 | 9031046-01 | 9031046-01 | 9031046-01 | 9031046-01 | 9031046-01 | Control Box Screws |
| 16 | N/A | N/A | N/A | N/A | N/A | Machine Compartment Cover (Not Shown) |
| 17 | 3012855-01 | 3012855-01 | 3012855-01 | 3012855-01 | 3012855-01 | Control Box Front Cover |
| 18 | 2021677-01 | 2021677-01 | 2021677-01 | 2021677-01 | 2021677-01 | Left Hand Frame Side |
| 19 | 2021648-01 | 2021648-01 | 2021648-01 | 2021648-01 | 2021648-01 | Divider Base Assembly |
| 20 | 2021678-01 | 2021678-01 | 2021678-01 | 2021678-01 | 2021678-01 | Right Hand Frame Side |
| 21 | 9131181-01 | 9131181-01 | 9131181-01 | 9131181-01 | 9131181-01 | Insulation |
| 22 | 9131121-04 | 9131121-04 | 9131121-04 | 9131121-04 | 9131121-04 | Insulation |
| 23 | 9031154-01 | 9031154-01 | 9031154-01 | 9031154-01 | 9031154-01 | Retainer "Christmas Tree Clip" |
| 24 | 3012724-01 | 3012724-01 | 3012724-01 | 3012724-01 | 3012724-01 | Brace |

| Item No. | Model Number | | | Description |
|----------|--------------|-------------|-------------|---------------------------------------|
| | ICE0305 | ICE0405 | ICE0605 | |
| 1 | 2101425-01S | 2101425-01S | 2101425-01S | Top Panel-Air Cooled |
| 2 | 2101425-02S | 2101425-02S | 2101425-02S | Top Panel-Top Discharge |
| 3 | 2031511-01S | 2031511-01S | 2031511-01S | Front Panel |
| | 9051562-01 | 9051562-01 | 9051562-01 | Front Panel End Cap, Right Hand |
| | 9051562-02 | 9051562-02 | 9051562-02 | Front Panel End Cap, Left Hand |
| 4 | 9031098-04 | 9031098-04 | 9031098-04 | Front Panel Screw |
| 5 | 9051565-02 | 9051565-02 | 9051565-02 | Left Hand Side Panel |
| 6 | 9031141-01 | 9031141-01 | 9031141-01 | Plastic Nut Insert |
| 7 | 2101428-01S | 2101428-01S | 2101428-01S | Right Hand Side Panel-Louvered |
| 8 | 3012681-01 | 3012681-01 | 3012681-01 | Junction Box Cover |
| 9 | 9031046-01 | 9031046-01 | 9031046-01 | Junction Box Cover Screw |
| 10 | 9051565-02 | 9051565-02 | 9051565-02 | Right Hand Side Panel Non-Louvered |
| 11 | 3021742-01 | 3021742-01 | 3021742-01 | Rear Panel |
| 12 | 9031046-01 | 9031046-01 | 9031046-01 | Rear Panel Screw |
| 13 | 3012905-01 | 3012905-01 | 3012905-01 | Control Box Top Cover |
| 14 | 3012904-01 | 3012904-01 | 3012904-01 | Control Box Side Cover |
| 15 | 9031046-01 | 9031046-01 | 9031046-01 | Control Box Screws |
| 16 | 3012931-01 | 3012931-01 | 3012931-01 | Machine Compartment Cover (Not Shown) |
| 17 | 3012855-01 | 3012855-01 | 3012855-01 | Control Box Front Cover |
| 18 | 2021677-01 | 2021677-01 | 2021677-01 | Left Hand Frame Side |
| 19 | 2021648-01 | 2021648-01 | 2021648-01 | Divider Base Assembly |
| 20 | 2021678-01 | 2021678-01 | 2021678-01 | Right Hand Frame Side |
| 21 | 9131181-01 | 9131181-01 | 9131181-01 | Insulation |
| 22 | 9131121-04 | 9131121-04 | 9131121-04 | Insulation |
| 23 | 9031154-01 | 9031154-01 | 9031154-01 | Retainer "Christmas Tree Clip" |
| 24 | 3012724-01 | 3012724-01 | 3012724-01 | Brace |

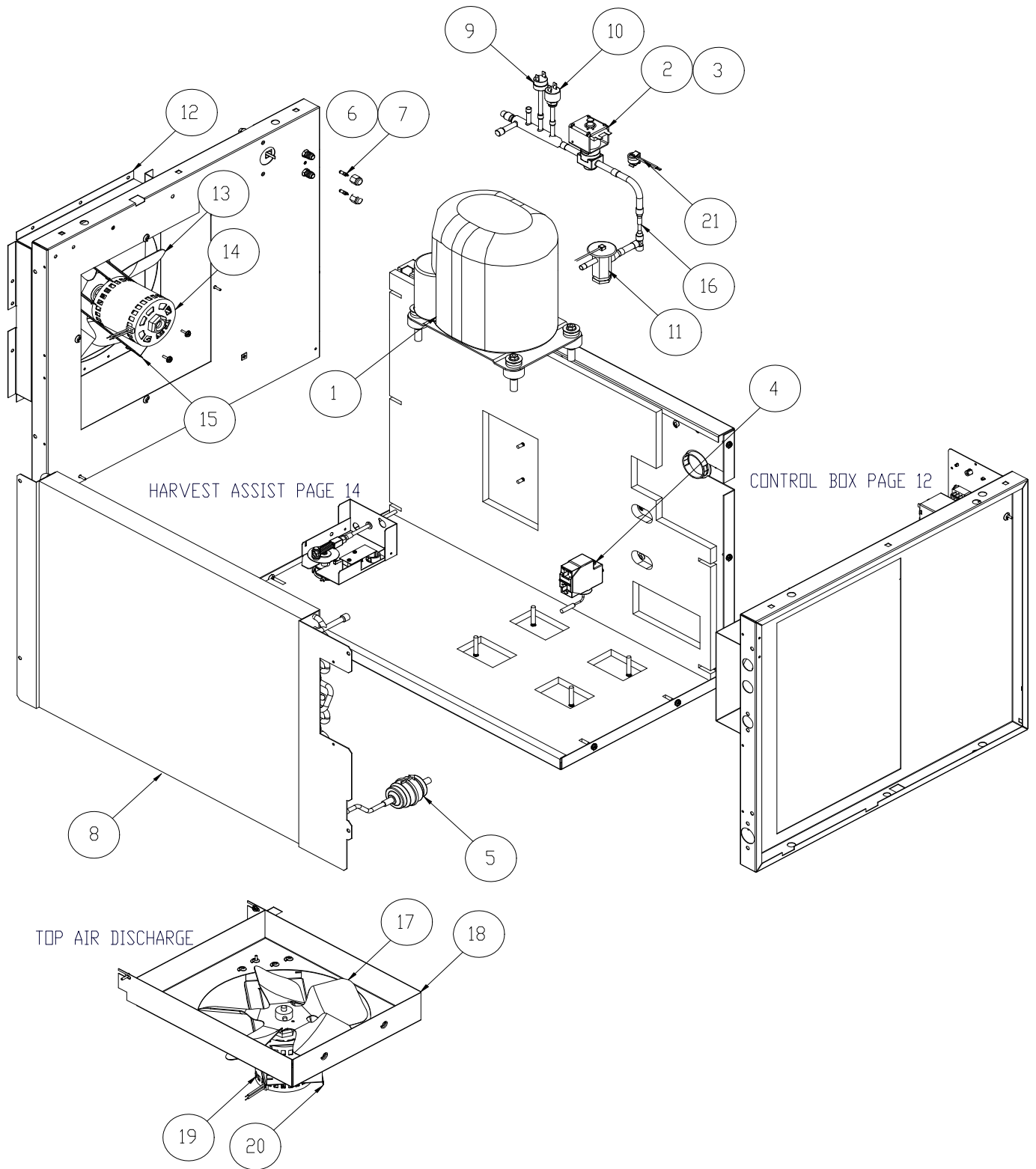


ICE Series Service Parts

Evaporator/Water System

| Item No. | Model Number | | | | | Description |
|----------|--------------|------------|------------|------------|------------|---|
| | ICE0250 | ICE0400 | ICE0406 | ICE0500 | ICE0606 | |
| 1 | 2051156-81 | 2051148-81 | 2051148-81 | 2051148-81 | 2051148-81 | Evaporator Full Cube |
| 1 | 2051156-82 | 2051148-82 | 2051148-82 | 2051148-82 | 2051148-82 | Evaporator Half Cube |
| 2 | 2041338-01 | 2041338-01 | 2041338-01 | 2041338-01 | 2041338-01 | Water Distribution Tube |
| 3 | 9031122-05 | 9031122-05 | 9031122-05 | 9031122-05 | 9031122-05 | Thumb Screw |
| 4 | 9031004-19 | 9031004-19 | 9031004-19 | 9031004-19 | 9031004-19 | Rubber Washer |
| 5 | 3012747-01 | N/A | N/A | N/A | N/A | Curtain Stopper |
| 6 | 9051136-08 | 9051136-06 | 9051136-06 | 9051136-06 | 9051136-06 | Evaporator Mounting Panel Right Side |
| 7 | 9051135-04 | 9051135-04 | 9051135-04 | 9051135-04 | 9051135-04 | Evaporator Water Return |
| 8 | 9051136-07 | 9051136-05 | 9051136-05 | 9051136-05 | 9051136-05 | Evaporator Mounting Panel Left Side |
| 9 | 9051135-05 | 9051135-05 | 9051135-05 | 9051135-05 | 9051135-05 | Evaporator Spillway |
| 10 | 9051154-07 | 9051154-08 | 9051154-08 | 9051154-08 | 9051154-08 | Evaporator Splash Curtain |
| 11 | 9051537-01 | 9051537-01 | 9051537-01 | 9051537-01 | 9051537-01 | Water Return Trough |
| 12 | 9031046-24 | 9031046-24 | 9031046-24 | 9031046-24 | 9031046-24 | Water Return Trough Screw |
| 13 | 9131111-01 | 9131111-01 | 9131111-01 | 9131111-01 | 9131111-01 | Float |
| 14 | 9131026-02 | 9131026-02 | 9131026-02 | 9131026-02 | 9131026-02 | Caplug (Float Deflector) |
| 15 | 9161076-01 | 9161076-01 | 9161076-02 | 9161076-01 | 9161076-02 | Water Pump |
| | 3012509-01 | 3012509-01 | 3012509-01 | 3012509-01 | 3012509-01 | Water Pump Bracket |
| 16 | 9021010-04 | 9021010-04 | 9021010-04 | 9021010-04 | 9021010-04 | Clamp |
| 17 | 9021010-04 | 9021010-04 | 9021010-04 | 9021010-04 | 9021010-04 | Clamp |
| 18 | 9051142-02 | 9051142-01 | 9051142-01 | 9051142-01 | 9051142-01 | Water Pump Tube |
| 19 | 3032898-26 | 3032898-26 | 3032898-26 | 3032898-26 | 3032898-26 | Water Float Tubing (26 Inches required) |
| 20 | 9091083-01 | 9091083-01 | 9091083-01 | 9091083-01 | 9091083-01 | Water Inlet Fitting |
| 21 | 9091074-01 | 9091074-01 | 9091074-01 | 9091074-01 | 9091074-01 | Drop Adapter |
| 22 | 9041105-01 | 9041105-01 | 9041105-02 | 9041105-01 | 9041105-02 | Purge Valve |
| 23 | 9021010-04 | 9021010-04 | 9021010-04 | 9021010-04 | 9021010-04 | Clamp |
| 24 | 9051280-11 | 9051280-11 | 9051280-11 | 9051280-11 | 9051280-11 | Purge Drain Hose |
| 25 | 9021010-03 | 9021010-03 | 9021010-03 | 9021010-03 | 9021010-03 | Clamp |
| 26 | 9091140-01 | 9091140-01 | 9091140-01 | 9091140-01 | 9091140-01 | Purge Drain Fitting |

| Item No. | Model Number - 50 Cycle Units | | | Description |
|----------|-------------------------------|------------|------------|---|
| | ICE0305 | ICE0405 | ICE0605 | |
| 1 | 2051156-81 | 2051148-81 | 2051148-81 | Evaporator Full Cube |
| 1 | 2051156-82 | 2051148-82 | 2051148-82 | Evaporator Half Cube |
| 2 | 2041338-01 | 2041338-01 | 2041338-01 | Water Distribution Tube |
| 3 | 9031122-05 | 9031122-05 | 9031122-05 | Thumb Screw |
| 4 | 9031004-19 | 9031004-19 | 9031004-19 | Rubber Washer |
| 5 | 3012747-01 | N/A | N/A | Curtain Stopper |
| 6 | 9051136-08 | 9051136-06 | 9051136-06 | Evaporator Mounting Panel Right Side |
| 7 | 9051135-04 | 9051135-04 | 9051135-04 | Evaporator Water Return |
| 8 | 9051136-07 | 9051136-05 | 9051136-05 | Evaporator Mounting Panel Left Side |
| 9 | 9051135-05 | 9051135-05 | 9051135-05 | Evaporator Spillway |
| 10 | 9051154-07 | 9051154-08 | 9051154-08 | Evaporator Splash Curtain |
| 11 | 9051537-01 | 9051537-01 | 9051537-01 | Water Return Trough |
| 12 | 9031046-24 | 9031046-24 | 9031046-24 | Water Return Trough Screw |
| 13 | 9131111-01 | 9131111-01 | 9131111-01 | Float |
| 14 | 9131026-02 | 9131026-02 | 9131026-02 | Caplug (Float Deflector) |
| 15 | 9161076-02 | 9161076-03 | 9161076-03 | Water Pump (for bracket see above) |
| 16 | 9021010-04 | 9021010-04 | 9021010-04 | Clamp |
| 17 | 9021010-04 | 9021010-04 | 9021010-04 | Clamp |
| 18 | 9051142-02 | 9051142-01 | 9051142-01 | Water Pump Tube |
| 19 | 3032898-26 | 3032898-26 | 3032898-26 | Water Float Tubing (26 Inches required) |
| 20 | 9091083-01 | 9091083-01 | 9091083-01 | Water Inlet Fitting |
| 21 | 9091074-01 | 9091074-01 | 9091074-01 | Drop Adapter |
| 22 | 9041105-02 | 9041105-02 | 9041105-02 | Purge Valve |
| 23 | 9021010-04 | 9021010-04 | 9021010-04 | Clamp |
| 24 | 9051280-11 | 9051280-11 | 9051280-11 | Purge Drain Hose |
| 25 | 9021010-03 | 9021010-03 | 9021010-03 | Clamp |
| 26 | 9091140-01 | 9091140-01 | 9091140-01 | Purge Drain Fitting |



ICE Series Service Parts

Air Cooled and Top Air Discharge

| Item No. | Model Number | | | | | Description |
|----------|--------------|------------|------------|------------|------------|---|
| | ICE0250A | ICE0400A | ICE0406A | ICE0500A | ICE0606A | |
| 1 | 9181121-11 | 9181121-11 | 9181126-01 | 9181124-11 | 1051189-01 | Compressor Kit* See Notes Below |
| | | | | | 9181145-11 | Compressor Kit** See Notes Below |
| | | | | 9181137-11 | | Compressor Kit*** See Notes Below |
| 2 | 9151123-01 | 9151123-01 | 9151123-01 | 9151123-01 | 9151123-01 | Hot Gas Valve Body |
| 3 | 9151123-03 | 9151123-03 | 9151123-04 | 9151123-03 | 9151123-04 | Hot Gas Valve Coil |
| 4 | 9041094-01 | 9041094-01 | 9041094-01 | 9041094-01 | 9041094-01 | Low Pressure Control |
| 5 | 9151163-01 | 9151163-01 | 9151163-01 | 9151163-01 | 9151163-01 | Filter Drier (Replaces 9151004-02) |
| 6 | 9091086-02 | 9091086-02 | 9091086-02 | 9091086-02 | 9091086-02 | Service Valve Core |
| 7 | 9091086-03 | 9091086-03 | 9091086-03 | 9091086-03 | 9091086-03 | Service Valve Cap |
| 8 | 9141106-01 | 9141106-01 | 9141106-01 | 9141120-01 | 9141120-01 | Condenser |
| 9 | 9041096-01 | 9041096-01 | 9041096-01 | 9041096-01 | 9041096-01 | Fan Control |
| 10 | 9041091-01 | 9041091-01 | 9041091-01 | 9041091-01 | 9041091-01 | High Pressure Control |
| 11 | 9151154-01 | 9151149-01 | 9151149-01 | 9151149-01 | 9151151-01 | Expansion Valve |
| | 9131465-01 | 9131465-01 | 9131465-01 | 9131465-01 | 9131465-01 | Insulation-Danfoss Expansion Valve |
| 12 | 3013112-01 | 3013112-01 | 3013112-01 | 3013112-01 | 3013112-01 | Fan Shroud |
| 13 | 9131332-02 | 9131332-02 | 9131332-02 | 9131383-01 | 9131332-02 | Fan Blade |
| 13 | | | | | 9131383-01 | Fan Blade From SN 12041280010052 |
| 14 | 9161089-02 | 9161089-02 | 9161089-03 | 9161078-01 | 9161089-03 | Fan Motor |
| 14 | | | | | 9161078-03 | Fan Motor From Sn 12041280010052 |
| 15 | 3012527-01 | 3012527-01 | 3012527-01 | 3013252-01 | 3012527-01 | Fan Motor Bracket |
| 15 | | | | | 3013252-01 | Fan Motor Brkt From SN 12041280010052 |
| 16 | 9091136-01 | 9091136-01 | 9091136-01 | 9091136-01 | N/A | Restrictor |
| 17 | 9131383-01 | 9131332-02 | 9131332-02 | 9131383-01 | 9131332-02 | Fan Blade (Top Air Discharge) |
| 17 | | | | | 9131383-01 | Fan Blade TAD From SN 12041280010052 |
| 18 | 3012725-01 | 3012725-01 | 3012725-01 | 3012725-01 | 3012725-01 | Fan Shroud (Top Air Discharge) |
| 18 | | | | | 3013368-01 | Fan Shroud TAD From Sn 12041280010052 |
| 19 | 9161078-01 | 9161089-02 | 9161089-03 | 9161078-01 | 9161089-03 | Fan Motor (Top Air Discharge) |
| 19 | | | | | 9161078-03 | Fan Motor TAD From Sn 12041280010052 |
| 20 | 3013252-01 | 3012527-01 | 3012527-01 | 3013252-01 | 3012527-01 | Fan Motor Bracket (Top Air Discharge) |
| 20 | | | | | 3013252-01 | Fan Motor Brkt TAD From SN 12041280010052 |
| 21 | 9041098-01 | 9041098-01 | 9041098-01 | 9041098-01 | 9041098-01 | High Temperature Safety Control |

*Note ICE0606 Air Cooled Compressor 9181125-11 is NLA, Reference Service Bulletin 12-06

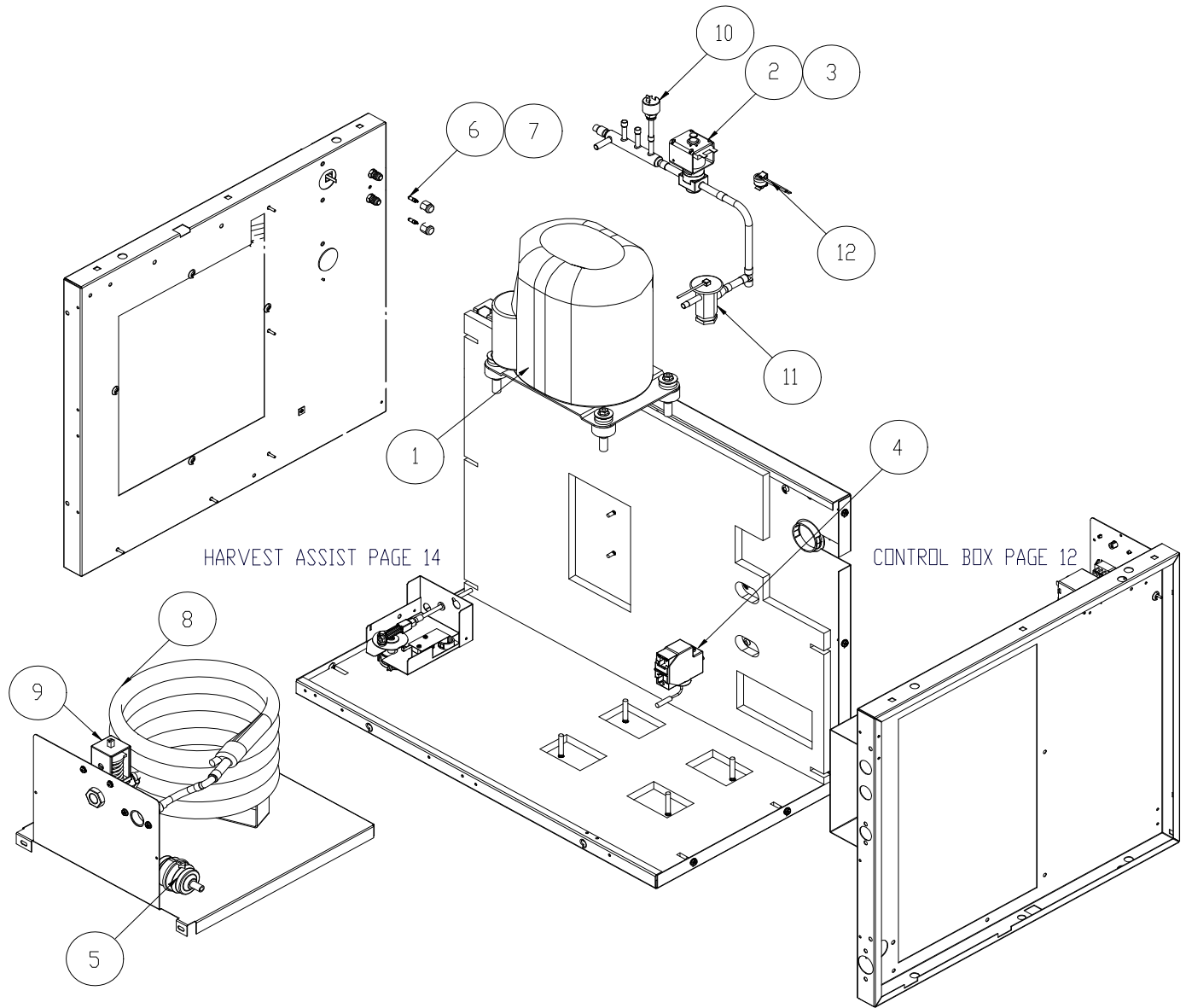
**Note ICE0606 Air Cooled Version A5-T5-6 , Reference Service Bulletin 12-06

***Note ICE0500 Air Cooled From Serial Number 12061280013569, Ref Service Bulletin 12-18

| Item No. | Model Number | | | Description |
|----------|--------------|------------|------------|------------------------------------|
| | ICE0305A | ICE0405A | ICE0605A | |
| 1 | 9181127-11 | 9181127-11 | 1051190-01 | Compressor Kit* See Notes Below |
| | | | 9181147-11 | Compressor Kit** See Notes Below |
| 2 | 9151123-01 | 9151123-01 | 9151123-01 | Hot Gas Valve Body |
| 3 | 9151123-04 | 9151123-04 | 9151123-04 | Hot Gas Valve Coil |
| 4 | 9041094-01 | 9041094-01 | 9041094-01 | Low Pressure Control |
| 5 | 9151163-01 | 9151163-01 | 9151163-01 | Filter Drier (Replaces 9151004-02) |
| 6 | 9091086-02 | 9091086-02 | 9091086-02 | Service Valve Core |
| 7 | 9091086-03 | 9091086-03 | 9091086-03 | Service Valve Cap |
| 8 | 9141106-01 | 9141106-01 | 9141120-01 | Condenser |
| 9 | 9041096-01 | 9041096-01 | 9041096-01 | Fan Control |
| 10 | 9041091-01 | 9041091-01 | 9041091-01 | High Pressure Control |
| 11 | 9151154-01 | 9151149-01 | 9151149-01 | Expansion Valve |
| | 9131465-01 | 9131465-01 | 9131465-01 | Insulation-Danfoss Expansion Valve |
| 12 | 3013112-01 | 3013112-01 | 3013112-01 | Fan Shroud |
| 13 | 9131383-01 | 9131383-01 | 9131383-01 | Fan Blade |
| 14 | 9161078-02 | 9161078-02 | 9161078-02 | Fan Motor |
| 15 | 2021612-01 | 2021612-01 | 2021612-01 | Fan Motor Bracket |
| 16 | N/A | 9091136-01 | N/A | Restrictor |
| 21 | 9041098-01 | 9041098-01 | 9041098-01 | High Temperature Safety Control |

*Note ICE0605 Air Cooled Compressor 9181128-11 is NLA, Reference Service Bulletin 12-07

**Note ICE0605 Air Cooled Version A5-T5 , Reference Service Bulletin 12-07



| Item No. | Model Number | | | | | Description |
|----------|--------------|------------|------------|------------|------------|---|
| | ICE0250W | ICE0400W | ICE0406W | ICE0500W | ICE0606W | |
| 1 | 9181121-11 | 9181121-11 | 9181126-11 | 9181124-11 | 1051189-01 | Compressor Kit* See Notes Below |
| | | | | | 9181145-11 | Compressor Kit** See Notes Below |
| 2 | 9151123-01 | 9151123-01 | 9151123-01 | 9151123-01 | 9151123-01 | Hot Gas Valve Body |
| 3 | 9151023-03 | 9151023-03 | 9151123-04 | 9151023-03 | 9151123-04 | Hot Gas Valve Coil |
| 4 | 9041094-01 | 9041094-01 | 9041094-01 | 9041094-01 | 9041094-01 | Low Pressure Control |
| 5 | 9151163-01 | 9151163-01 | 9151163-01 | 9151163-01 | 9151163-01 | Filter Drier (Replaces 9151004-02) |
| 6 | 9091086-02 | 9091086-02 | 9091086-02 | 9091086-02 | 9091086-02 | Service Valve Core |
| 7 | 9091086-03 | 9091086-03 | 9091086-03 | 9091086-03 | 9091086-03 | Service Valve Cap |
| 8 | 9141061-01 | 9141023-01 | 9141023-01 | 9141024-01 | 9141024-01 | Condenser |
| 9 | 9041059-01 | 9041059-01 | 9041059-01 | 9041059-01 | 9041059-01 | Water Valve |
| 10 | 9041091-01 | 9041091-01 | 9041091-01 | 9041091-01 | 9041091-01 | High Pressure Control |
| 11 | 9151154-01 | 9151149-01 | 9151149-01 | 9151149-01 | 9151151-01 | Expansion Valve |
| | 9131465-01 | 9131465-01 | 9131465-01 | 9131465-01 | 9131465-01 | Insulation-Danfoss Expansion Valve |
| 12 | 9041098-01 | 9041098-01 | 9041098-01 | 9041098-01 | 9041098-01 | High Temperature Safety Control |

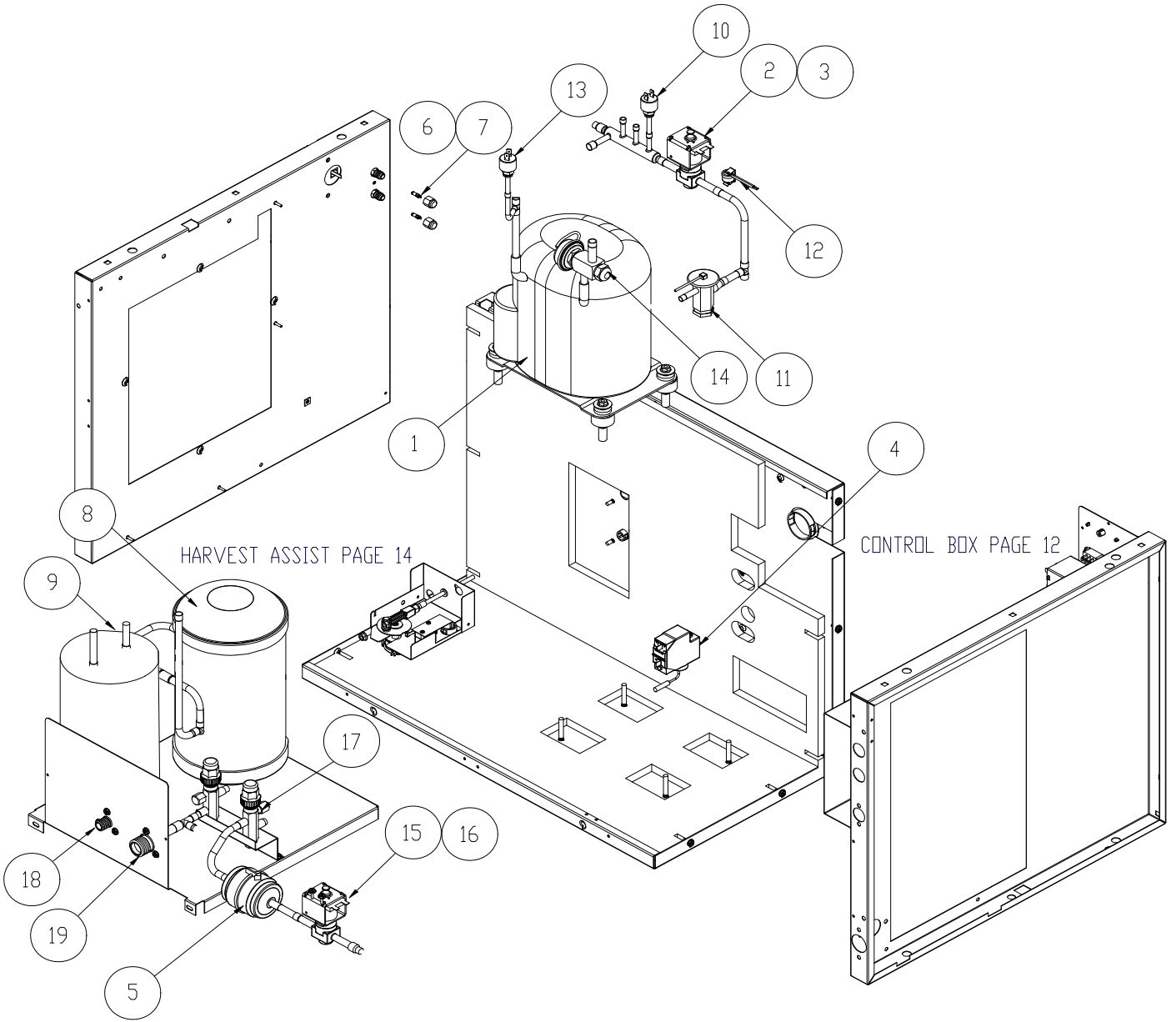
*Note ICE0606 Water Cooled Compressor 9181125-11 is NLA, Reference Service Bulletin 12-06

**Note ICE0606 Water Cooled Version W5 , Reference Service Bulletin 12-06

| Item No. | Model Number | | | Description |
|----------|--------------|------------|------------|---|
| | ICE0305W | ICE0405W | ICE0605W | |
| 1 | 9181127-11 | 9181127-11 | 1051190-01 | Compressor Kit* See Notes Below |
| | | | 9181147-11 | Compressor Kit** See Notes Below |
| 2 | 9151123-01 | 9151123-01 | 9151123-01 | Hot Gas Valve Body |
| 3 | 9151123-04 | 9151123-04 | 9151123-04 | Hot Gas Valve Coil |
| 4 | 9041094-01 | 9041094-01 | 9041094-01 | Low Pressure Control |
| 5 | 9151163-01 | 9151163-01 | 9151163-01 | Filter Drier (Replaces 9151004-02) |
| 6 | 9091086-02 | 9091086-02 | 9091086-02 | Service Valve Core |
| 7 | 9091086-03 | 9091086-03 | 9091086-03 | Service Valve Cap |
| 8 | 9141061-01 | 9141023-01 | 9141024-01 | Condenser |
| 9 | 9041059-01 | 9041059-01 | 9041059-01 | Water Valve |
| 10 | 9041091-01 | 9041091-01 | 9041091-01 | High Pressure Control |
| 11 | 9151154-01 | 9151149-01 | 9151149-01 | Expansion Valve |
| | 9131465-01 | 9131465-01 | 9131465-01 | Insulation-Danfoss Expansion Valve |
| 12 | 9041098-01 | 9041098-01 | 9041098-01 | High Temperature Safety Control |

*Note ICE0605 Water Cooled Compressor 9181128-11 is NLA, Reference Service Bulletin 12-07

**Note ICE0605 Water Cooled Version W5 , Reference Service Bulletin 12-07



| Item No. | Model Number | | | | | Description |
|----------|--------------|---------|---------|------------|------------|---|
| | ICE0250 | ICE0400 | ICE0406 | ICE0500R | ICE0606R | |
| 1 | N/A | N/A | N/A | 9181124-11 | 1051189-01 | Compressor Kit* See Notes Below |
| | | | | | 9181145-11 | Compressor Kit** See Notes Below |
| 2 | N/A | N/A | N/A | 9151123-01 | 9151123-01 | Hot Gas Valve Body |
| 3 | N/A | N/A | N/A | 9151123-03 | 9151123-04 | Hot Gas Valve Coil |
| 4 | N/A | N/A | N/A | 9041094-01 | 9041094-01 | Low Pressure Control |
| 5 | N/A | N/A | N/A | 9151004-04 | 9151004-04 | Filter Drier |
| 6 | N/A | N/A | N/A | 9091086-02 | 9091086-02 | Service Valve Core |
| 7 | N/A | N/A | N/A | 9091086-03 | 9091086-03 | Service Valve Cap |
| 8 | N/A | N/A | N/A | 9151074-01 | 9151074-01 | Receiver |
| 9 | N/A | N/A | N/A | 2091204-01 | N/A | Accumulator |
| 10 | N/A | N/A | N/A | 9041091-01 | 9041091-01 | High Pressure Control |
| 11 | N/A | N/A | N/A | 9151149-01 | 9151151-01 | Expansion Valve |
| | N/A | N/A | N/A | 9131465-01 | 9131465-01 | Insulation Danfoss Expansion Valve |
| 12 | N/A | N/A | N/A | 9041098-01 | 9041098-01 | High Temperature Safety Control |
| 13 | N/A | N/A | N/A | 9041092-02 | 9041092-02 | Pump Down Control |
| 14 | N/A | N/A | N/A | 9151086-01 | N/A | Crankcase Pressure Regulator |
| 15 | N/A | N/A | N/A | 9151123-02 | 9151123-02 | Liquid Line Solenoid Body |
| 16 | N/A | N/A | N/A | 9151123-03 | 9151123-04 | Liquid Line Solenoid Coil |
| 17 | N/A | N/A | N/A | 9091137-01 | 9091137-01 | Valve-Shut Off |
| 18 | N/A | N/A | N/A | 9091001-11 | 9091001-11 | Remote Fitting 3/8 Male |
| 19 | N/A | N/A | N/A | 9091001-12 | 9091001-12 | Remote Fitting 1/2 Male |
| 20 | N/A | N/A | N/A | 9151139-01 | 9151139-01 | Check Valve |

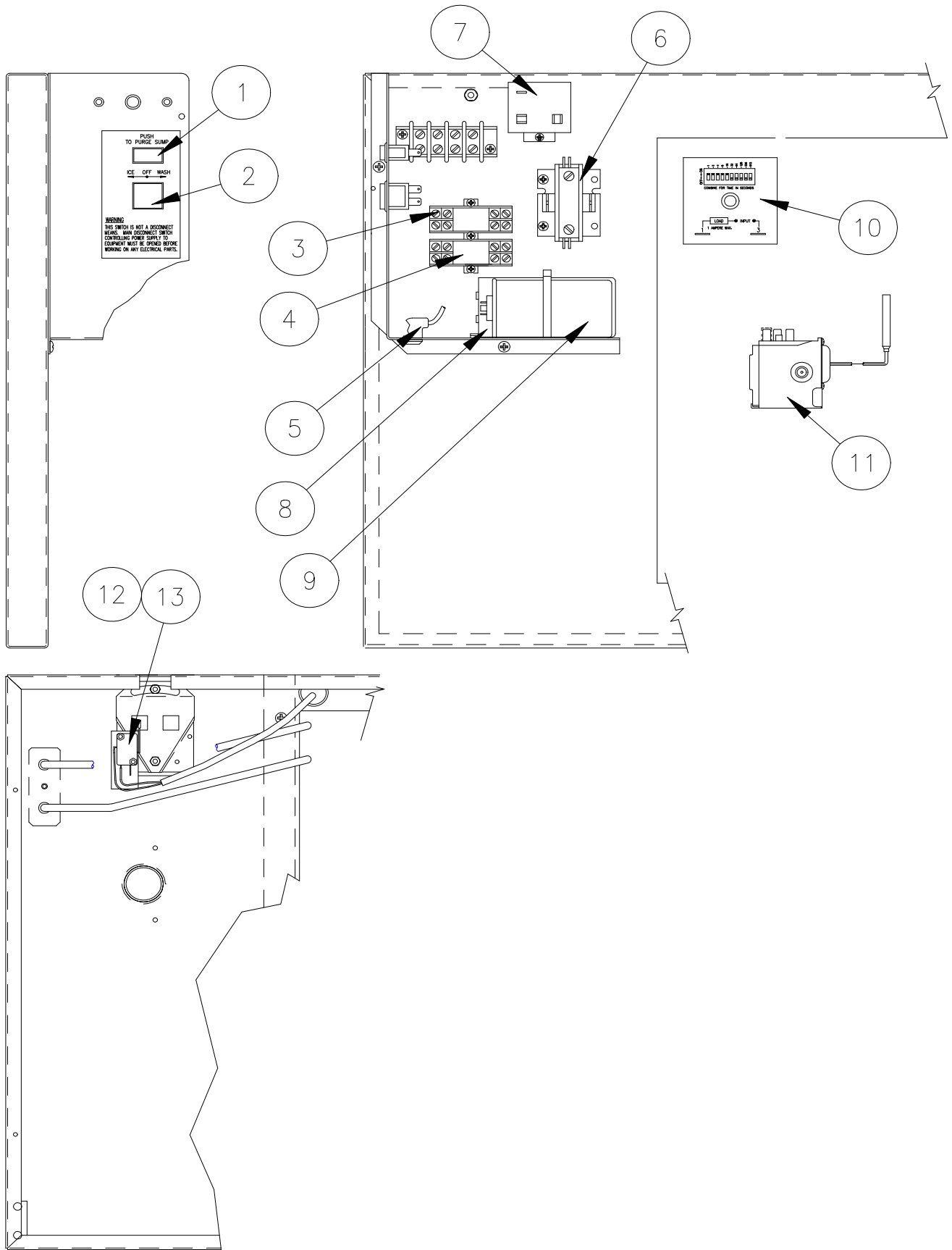
*Note ICE0606 Remote Cooled Compressor 9181125-11 is NLA, Reference Service Bulletin 12-06

**Note ICE0606 Remote Cooled Version R6 , Reference Service Bulletin 12-06

| Item No. | Model Number | | | Description |
|----------|--------------|---------|------------|---|
| | ICE0305 | ICE0405 | ICE0605R | |
| 1 | N/A | N/A | 1051190-01 | Compressor Kit* See Notes Below |
| | | | 9181147-11 | Compressor Kit** See Notes Below |
| 2 | N/A | N/A | 9151123-01 | Hot Gas Valve Body |
| 3 | N/A | N/A | 9151123-04 | Hot Gas Valve Coil |
| 4 | N/A | N/A | 9041094-01 | Low Pressure Control |
| 5 | N/A | N/A | 9151004-04 | Filter Drier |
| 6 | N/A | N/A | 9091086-02 | Service Valve Core |
| 7 | N/A | N/A | 9091086-03 | Service Valve Cap |
| 8 | N/A | N/A | 9151074-01 | Receiver |
| 9 | N/A | N/A | N/A | Accumulator |
| 10 | N/A | N/A | 9041091-01 | High Pressure Control |
| 11 | N/A | N/A | 9151149-01 | Expansion Valve |
| | N/A | N/A | 9131465-01 | Insulation Danfoss Expansion Valve |
| 12 | N/A | N/A | 9041098-01 | High Temperature Safety Control |
| 13 | N/A | N/A | 9041092-02 | Pump Down Control |
| 14 | N/A | N/A | N/A | Crankcase Pressure Regulator |
| 15 | N/A | N/A | 9151123-02 | Liquid Line Solenoid Body |
| 16 | N/A | N/A | 9151123-04 | Liquid Line Solenoid Coil |
| 17 | N/A | N/A | 9091137-01 | Valve-Shut Off |
| 18 | N/A | N/A | 9091001-11 | Remote Fitting 3/8 Male |
| 19 | N/A | N/A | 9091001-12 | Remote Fitting 1/2 Male |
| 20 | N/A | N/A | 9151139-01 | Check Valve |

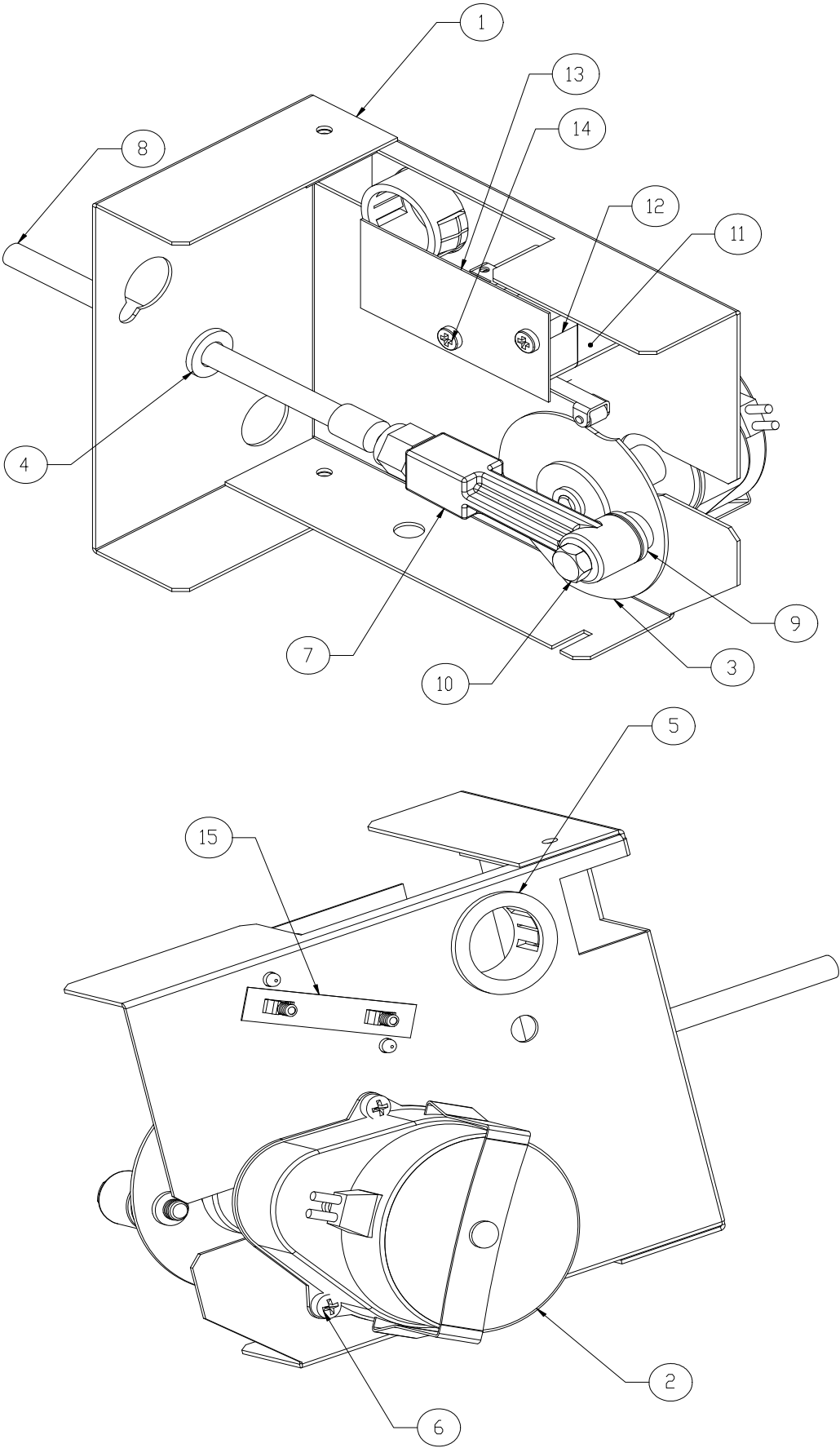
*Note ICE0605 Remote Cooled Compressor 9181128-11 is NLA, Reference Service Bulletin 12-07

**Note ICE0605 Remote Cooled Version R6 , Reference Service Bulletin 12-07



| Item No. | Model Number | | | | | Description |
|----------|--------------|-------------|-------------|-------------|-------------|-----------------------------|
| | ICE0250 | ICE0400 | ICE0406 | ICE0500 | ICE0606 | |
| 1 | 9101139-03 | 9101139-03 | 9101139-03 | 9101139-03 | 9101139-03 | Purge Switch |
| 2 | 9101195-01 | 9101195-01 | 9101195-01 | 9101195-01 | 9101195-01 | ON-OFF-WASH Switch |
| 3 | 9101083-01 | 9101083-01 | 9101083-01 | 9101083-01 | 9101083-01 | Relay Socket |
| 4 | 9101084-01 | 9101084-01 | 9101084-02 | 9101084-01 | 9101084-02 | Relay |
| 5 | 9101218-12 | 9101218-12 | 9101218-12 | 9101218-12 | 9101218-12 | Water Pump Cord |
| 6 | 9101002-07 | 9101002-07 | 9101002-06 | 9101002-07 | 9101002-06 | Contactator |
| 7 | See Page 18 | See Page 18 | See Page 18 | See Page 18 | See Page 18 | Compressor Start Relay |
| 8 | See Page 18 | See Page 18 | See Page 18 | See Page 18 | See Page 18 | Start Capacitor |
| 9 | See Page 18 | See Page 18 | See Page 18 | See Page 18 | See Page 18 | Run Capacitor |
| 10 | 9101148-01 | 9101148-01 | 9101148-01 | 9101148-01 | 9101148-01 | Timer |
| 11 | 9041094-01 | 9041094-01 | 9041094-01 | 9041094-01 | 9041094-01 | Low Pressure Timer Initiate |
| 12 | 2061471-03 | 2061471-03 | 2061471-03 | 2061471-03 | 2061471-03 | Curtain Switch Assembly |
| 13 | 9101124-02 | 9101124-02 | 9101124-02 | 9101124-02 | 9101124-02 | Curtain Switch |

| Item No. | Model Number | | | Description |
|----------|--------------|-------------|-------------|-----------------------------|
| | ICE0305 | ICE0405 | ICE0605 | |
| 1 | 9101139-03 | 9101139-03 | 9101139-03 | Purge Switch |
| 2 | 9101195-01 | 9101195-01 | 9101195-01 | ON-OFF-WASH Switch |
| 3 | 9101083-01 | 9101083-01 | 9101083-01 | Relay Socket |
| 4 | 9101084-02 | 9101084-02 | 9101084-02 | Relay |
| 5 | 9101218-12 | 9101218-12 | 9101218-12 | Water Pump Cord |
| 6 | 9101002-06 | 9101002-06 | 9101002-06 | Contactator |
| 7 | See Page 18 | See Page 18 | See Page 18 | Compressor Start Relay |
| 8 | See Page 18 | See Page 18 | See Page 18 | Start Capacitor |
| 9 | See Page 18 | See Page 18 | See Page 18 | Run Capacitor |
| 10 | 9101148-01 | 9101148-01 | 9101148-01 | Timer |
| 11 | 9041094-01 | 9041094-01 | 9041094-01 | Low Pressure Timer Initiate |
| 12 | 2061471-03 | 2061471-03 | 2061471-03 | Curtain Switch Assembly |
| 13 | 9101124-02 | 9101124-02 | 9101124-02 | Curtain Switch |

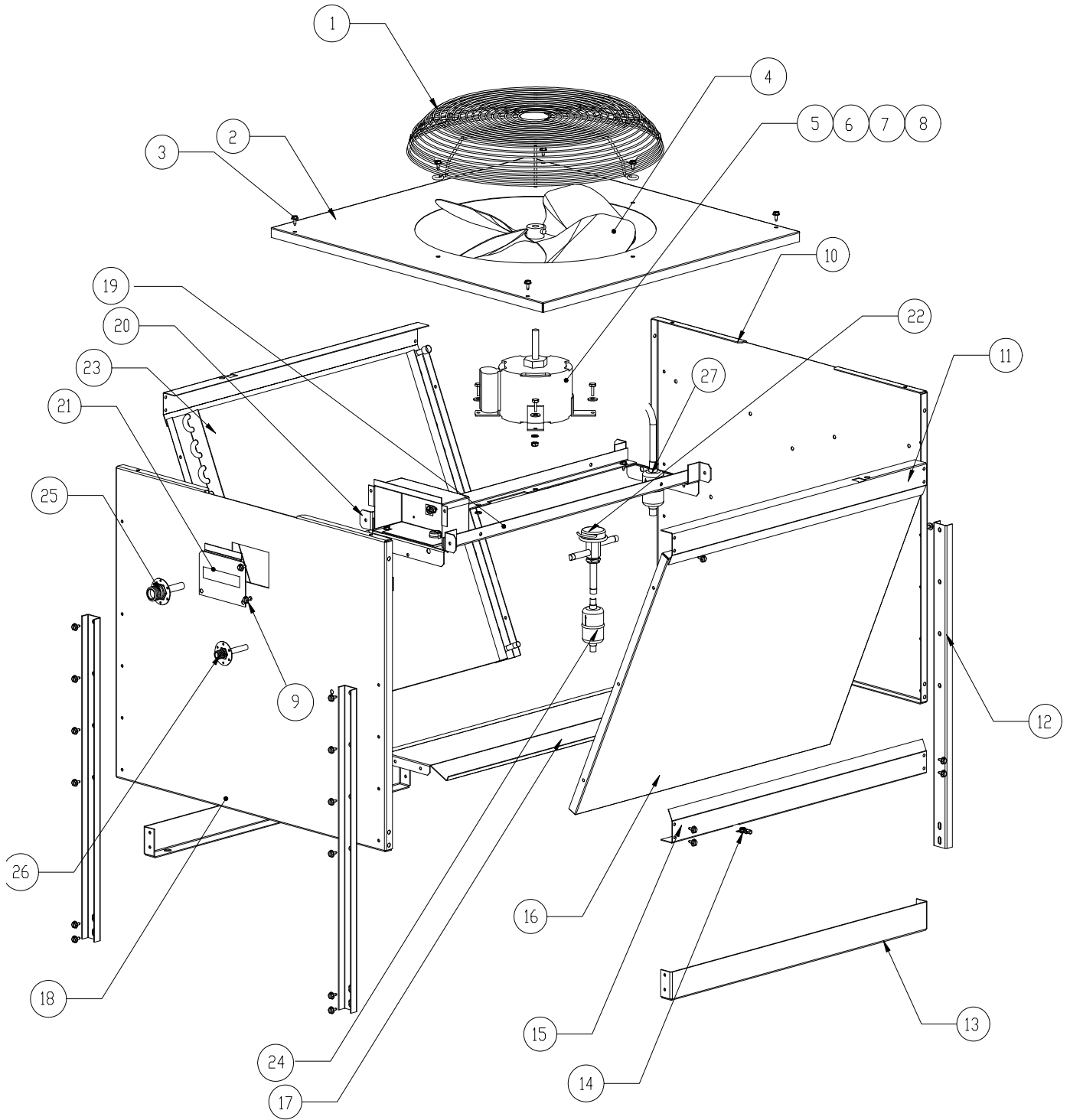


ICE Series Service Parts

Harvest Assist Assembly

| Item No. | Model Number | | | | | Description |
|----------|--------------|-------------|-------------|-------------|-------------|----------------------------------|
| | ICE0250 | ICE0400 | ICE0406 | ICE0500 | ICE0606 | |
| 1 | 3013170-01 | 3013170-01 | 3013170-01 | 3013170-01 | 3013170-01 | Bracket, Probe Motor |
| 2 | 9161030-01 | 9161030-01 | 9161031-01 | 9161030-01 | 9161031-01 | Gear Motor |
| 3 | 9131190-01 | 9131190-01 | 9131190-01 | 9131190-01 | 9131190-01 | Clutch Assembly 180 Degree |
| 4 | 9051001-13 | 9051001-13 | 9051001-13 | 9051001-13 | 9051001-13 | Snap Bushing |
| 5 | 9051001-03 | 9051001-03 | 9051001-03 | 9051001-03 | 9051001-03 | Snap Bushing |
| 6 | 9031019-08 | 9031019-08 | 9031019-08 | 9031019-08 | 9031019-08 | #6-32 x 1/2 Fillister Head Screw |
| 7 | 9051057-01 | 9051057-01 | 9051057-01 | 9051057-01 | 9051057-01 | Connecting Rod |
| 8 | 9021102-01 | 9021102-01 | 9021102-01 | 9021102-01 | 9021102-01 | Probe, Single Length |
| 9 | 9031003-03 | 9031003-03 | 9031003-03 | 9031003-03 | 9031003-03 | Plain Flat Washer |
| 10 | 9031119-01 | 9031119-01 | 9031119-01 | 9031119-01 | 9031119-01 | Shoulder Screw |
| 11 | 9051519-01 | 9051519-01 | 9051519-01 | 9051519-01 | 9051519-01 | Spacer, Cam Switch |
| 12 | 9101160-01 | 9101160-01 | 9101160-01 | 9101160-01 | 9101160-01 | Cam Switch |
| 13 | 9131500-01 | 9131500-01 | 9131500-01 | 9131500-01 | 9131500-01 | Insulator, Switch |
| 14 | 9031008-44 | 9031008-44 | 9031008-44 | 9031008-44 | 9031008-44 | Pan Head Machine Screw |
| 15 | 9031120-01 | 9031120-01 | 9031120-01 | 9031120-01 | 9031120-01 | Speed Nut Plate |
| | 2061962-01S | 2061962-01S | 2061962-02S | 2061962-01S | 2061962-02S | Complete Assembly |

| Item No. | Model Number | | | Description |
|----------|--------------|-------------|-------------|----------------------------------|
| | ICE0305 | ICE0405 | ICE0605 | |
| 1 | 3013170-01 | 3013170-01 | 3013170-01 | Bracket, Probe Motor |
| 2 | 9161031-01 | 9161031-01 | 9161031-01 | Gear Motor |
| 3 | 9131190-01 | 9131190-01 | 9131190-01 | Clutch Assembly 180 Degree |
| 4 | 9051001-13 | 9051001-13 | 9051001-13 | Snap Bushing |
| 5 | 9051001-03 | 9051001-03 | 9051001-03 | Snap Bushing |
| 6 | 9031019-08 | 9031019-08 | 9031019-08 | #6-32 x 1/2 Fillister Head Screw |
| 7 | 9051057-01 | 9051057-01 | 9051057-01 | Connecting Rod |
| 8 | 9021102-01 | 9021102-01 | 9021102-01 | Probe, Single Length |
| 9 | 9031003-03 | 9031003-03 | 9031003-03 | Plain Flat Washer |
| 10 | 9031119-01 | 9031119-01 | 9031119-01 | Shoulder Screw |
| 11 | 9051519-01 | 9051519-01 | 9051519-01 | Spacer, Cam Switch |
| 12 | 9101160-01 | 9101160-01 | 9101160-01 | Cam Switch |
| 13 | 9131500-01 | 9131500-01 | 9131500-01 | Insulator, Switch |
| 14 | 9031008-44 | 9031008-44 | 9031008-44 | Pan Head Machine Screw |
| 15 | 9031120-01 | 9031120-01 | 9031120-01 | Speed Nut Plate |
| | 2061962-02S | 2061962-02S | 2061962-02S | Complete Assembly |



| Item No. | Model Number | | Description |
|----------|--------------|------------|-----------------------------|
| | VRC1001 | VRC1061 | |
| 1 | 9131452-01 | 9131452-01 | Fan Guard |
| 2 | 3013222-01 | 3013222-01 | Top Panel |
| 3 | 9031019-04 | 9031019-04 | 1/4-20 x 1/2 Screw |
| 4 | 9131451-01 | 9131451-01 | Fan Blade |
| 5 | 9161117-02 | 9161117-01 | Fan Motor |
| 6 | 9031001-02 | 9031001-02 | 1/4-20 x 3/4 Cap Screw |
| 7 | 9031003-01 | 9031003-01 | Flat Washer |
| 8 | 9031118-02 | 9031118-02 | Flanged Lock Nut 1/4-20 |
| 9 | 9031019-04 | 9031019-04 | 1/4-20 x 1/2 Screw |
| 10 | 3013224-01 | 3013224-01 | Rear Panel |
| 11 | 3013226-01 | 3013226-01 | Brace |
| 12 | 3013227-01 | 3013227-01 | Leg |
| 13 | 3013228-01 | 3013228-01 | Leg Brace |
| 14 | N/A | N/A | T-Nut-Shipping Only |
| 15 | 3013226-01 | 3013226-01 | Brace |
| 16 | 3013232-01 | 3013232-01 | Cover Panel |
| 17 | 3013225-01 | 3013225-01 | Center Panel |
| 18 | 3013223-01 | 3013223-01 | Front Panel |
| 19 | 3013234-01 | 3013234-01 | Motor Brace |
| 20 | 3013233-01 | 3013233-01 | Motor Brace Support |
| 21 | 3013229-01 | 3013229-01 | Junction Box Cover |
| 22 | 9151027-07 | 9151027-06 | Head Pressure Control Valve |
| 23 | 9141135-01 | 9141135-01 | Condenser |
| 24 | 9151143-01 | 9151143-01 | Filter |
| 25 | 9091001-12 | 9091001-12 | 1/2 Coupling |
| 26 | 9091001-11 | 9091001-11 | 3/8 Coupling |
| 27 | 9151143-02 | 9151143-02 | Filter |

ICE0500R ICE0606R
 ICE0605R

| Item No. | Model Number | | | | | Description |
|----------|--------------|------------|------------|------------|------------|-----------------|
| | ICE0250 | ICE0400 | ICE0406 | ICE0500 | ICE0606 | |
| 1 | 9181121-01 | 9181121-01 | 9181126-01 | 9181124-01 | 9181125-01 | Compressor |
| 2 | 9181005-37 | 9181005-37 | 9181005-44 | 9181005-43 | Internal | Overload |
| 3 | 9181004-27 | 9181004-27 | 9181010-29 | 9181010-28 | 9181010-10 | Relay |
| 4 | 9181003-39 | 9181003-39 | 9181003-45 | 9181003-40 | 9181003-19 | Start Capacitor |
| 5 | N/A | N/A | 9181009-08 | 9181009-11 | 9181009-16 | Run Capacitor |

| | Model Number | | | Description |
|---|--------------|------------|------------|-----------------|
| | ICE0305 | ICE0405 | ICE0605 | |
| 1 | 9181127-01 | 9181127-01 | 9181128-01 | Compressor |
| 2 | 9181005-44 | 9181005-44 | Internal | Overload |
| 3 | 9181010-30 | 9181010-30 | 9181010-10 | Relay |
| 4 | 9181003-45 | 9181003-45 | 9181003-44 | Start Capacitor |
| 5 | 9181009-08 | 9181009-08 | 9181009-17 | Run Capacitor |

Reference the compressor model number to insure the correct starting components are ordered.

| | | | | ICE0606 | |
|--|--|--|--|------------|-----------------|
| | | | | 9181125-01 | CS08KQE-PFV-255 |
| | | | | ICE0605 | |
| | | | | 9181128-01 | CS08KQE-PFZ-255 |

The following compressors are No Longer Available and have been replace with new kits.

| | | | | | |
|--|--|--|--|------------|--------------------------------|
| | | | | 9181125-01 | 1051189-01 Includes 9181145-11 |
| | | | | 9181128-01 | 1051190-01 Includes 9181147-11 |

Reference the compressor model number to insure the correct starting components are ordered.

| | | | | ICE0500 | ICE0606 | Description |
|--|--|--|--|------------|------------|-----------------|
| | | | | 9181137-11 | 9181145-11 | Compressor |
| | | | | 9181005-45 | Internal | Overload |
| | | | | 9181010-14 | 9181010-27 | Relay |
| | | | | 9181003-50 | 9181003-52 | Start Capacitor |
| | | | | 9181009-25 | 9181009-19 | Run Capacitor |

| | | | | ICE0605 | Description |
|--|--|--|--|------------|-----------------|
| | | | | 9181147-11 | Compressor |
| | | | | Internal | Overload |
| | | | | 9181010-01 | Relay |
| | | | | 9181003-54 | Start Capacitor |
| | | | | 9181009-17 | Run Capacitor |