

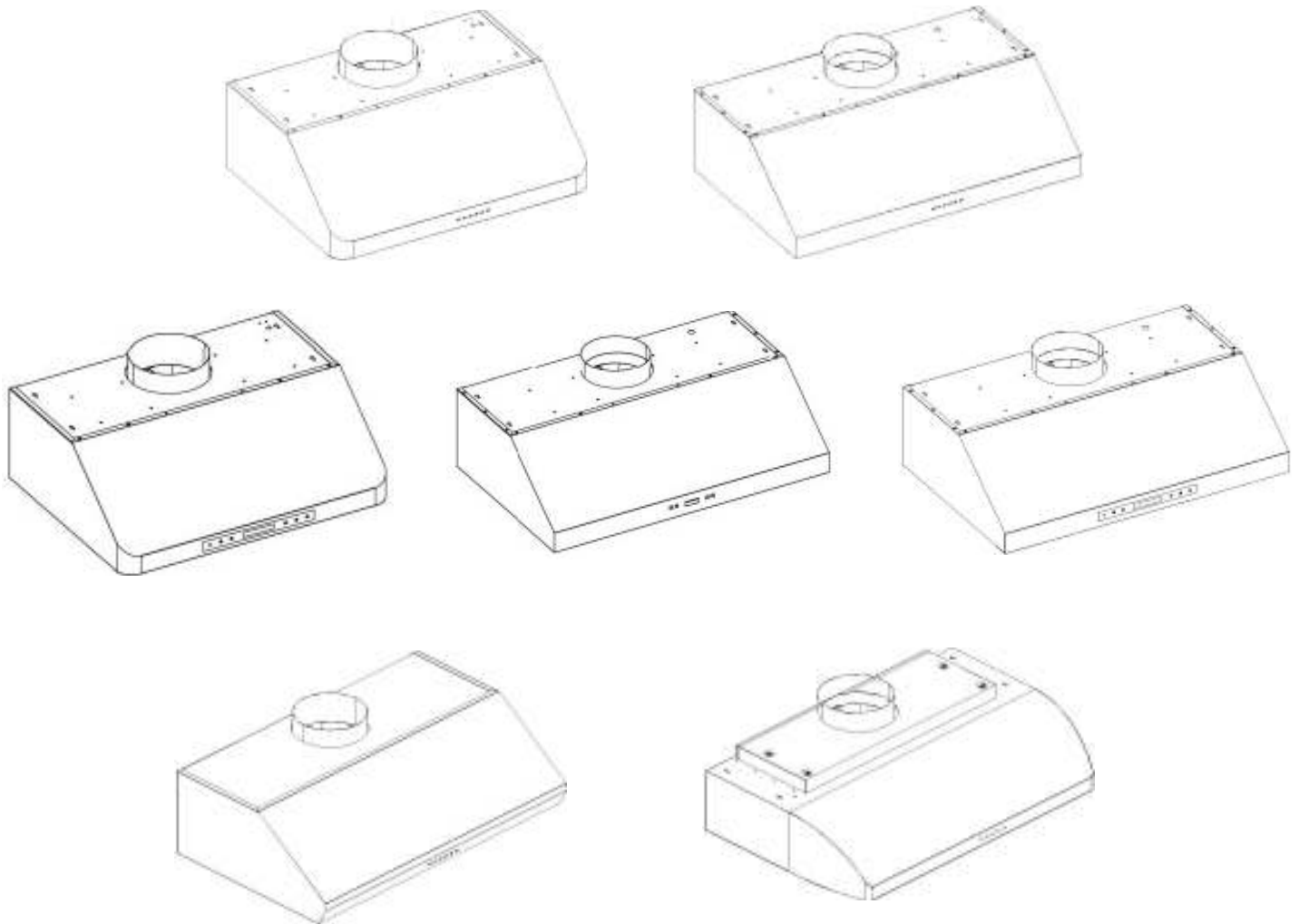
XtremeAIR®

The Advanced Range Hoods

INSTALLATION GUIDE & USER'S MANUAL

PRO-X & ULTRA SERIES

Under Cabinet Range Hood



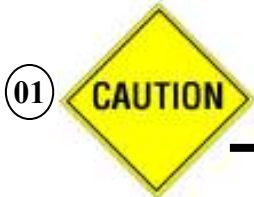
IMPORTANT: READ AND SAVE THESE INSTRUCTIONS

FOR RESIDENTIAL & INDOOR USE ONLY



TABLE OF CONTENTS

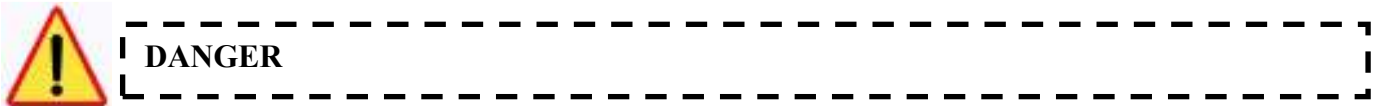
1	IMPORTANT SAFETY INSTRUCTIONS.....	2-3
2	HEIGHT & CLEARANCE REQUIREMENT.....	4
3	VENTING REQUIREMENT.....	4
4	VENTING METHODS.....	4
5	ELECTRICAL REQUIREMENT & CIRCUIT DIAGRAM.....	5
6	TOOL & MATERIAL YOU WILL NEED.....	5
7	PART SUPPLIED.....	5
8	RANGE HOOD DIMENSIONS.....	6
9	INSTALLATION.....	6-8
10	RANGE HOOD OPERATION.....	8-11
11	SPECIFICATION.....	11
12	REPLACING THE LIGHT BULB.....	12
13	TROUBLE SHOOTING.....	12
14	USE & CARE.....	13
15	PRODUCT WARRANTY.....	14



01 IMPORTANT SAFETY INSTRUCTIONS

IMPORTANT NOTICE: The Important Safety Instructions and warnings in this manual are not meant to cover all possible problems and situations that can occur. Please also use common sense and caution when installing, maintaining or operating this or any other appliance. Please always contact the XtremeAir USA, LLC. Customer Support Team at 1-714-554-9000 or email: support@XtremeAirUsa.com with any problems or situations that you do not understand.

The manufacturer disclaims all liability for any damage or injury caused as a result of not following instructions for installation contained in the following text.



To avoid the possibility of explosion or fire, do not store or use combustible, flammable or explosive vapors and liquids (such as gasoline) inside or in the vicinity of this or any other appliance. Keep items that could explode (such as aerosol cans) away from cook top burners, ovens and range hoods. Do not store flammable or explosive materials in adjacent cabinets or surrounding areas.

Disclaimer: *The manufacturer and/or distributor/reseller decline all responsibility in the event of failure to observe the instructions provided for installation, maintenance and suitable use of the product. The manufacturer and/or distributor/reseller shall NOT be responsible for any injury due to negligence and the warranty of the unit shall automatically be voided due to failure to observe proper safety and installation procedures. The manufacturer and/or distributor/reseller will not be held responsible for any damages to personal property or real estate or any bodily injuries whether caused directly or indirectly by the range hood.*



IMPORTANT SAFETY INSTRUCTIONS-continue

WARNING - TO REDUCE THE RISK OF FIRE, ELECTRIC SHOCK, OR INJURY TO PERSONS, OBSERVE THE FOLLOWING:

- Use this unit only in the manner intended by the manufacturer. If you have questions, contact the manufacturer

PRODUCT: Do not remove permanently affixed labels, warnings, or plates from the product. This may void the warranty. Do not try to alter the hood

INSTALLATION: The installation in this manual is intended for qualified installers, service technicians or persons with similar qualified background. Installation and electrical wiring must be done by qualified professionals and in accordance with all applicable codes and standards, including fire-rated construction. When cutting or drilling into wall or ceiling; do not damage electrical wiring and other utilities. Due to the size and weight of this range hood, two people installation is recommended. Range hood may have very sharp edges; please wear protective gloves if it is necessary to remove any parts for installing, cleaning or servicing.

VENTTING: For kitchen range or cook top ventilating use only. DO NOT use to exhaust hazardous or explosive materials and vapors. Ducted fans **MUST** always be vented to the outdoors. **DO NOT** vent exhaust into spaces between walls, crawl spaces, ceiling, attics or garages. Use only metal ductwork. Old duct work should be cleaned or replaced if necessary to avoid the possibility of a grease fire. Check all joints on duct work to insure proper connection and all joints should be properly taped.

ELECTRICAL: All electrical wiring must be properly installed, insulated and grounded. Before servicing or cleaning unit, turn power OFF and un-plugged

OPERATION: Use high settings on cooking range only when necessary. Keep all fan, baffle, spaces, filter, grease tunnel, oil container and grease-laden surfaces clean. Grease should not be allowed to accumulate on fan, baffle, spaces, filter, grease tunnel and oil container. Never allow the filters to become blocked or clogged. Do not allow foreign objects, such as cigarettes or napkins, to be sucked into the hood.

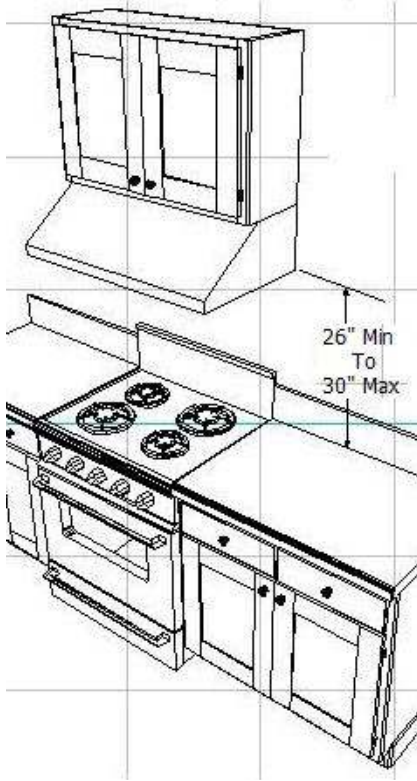
WARNING: TO REDUCE THE RISK OF A RANGE TOP GREASE FIRE:

- Never leave surface units unattended at high settings. Boil overs cause smoking and greasy spillovers that may ignite. Heat oils slowly on low or medium settings.
- Always turn hood ON when cooking at high heat or when greasy food.
- Clean ventilating fans frequently. Grease should not be allowed to accumulate on fan or filter.
- Use proper pan size. Always use cookware appropriate for the size of the surface element.

WARNING: TO REDUCE THE RISK OF INJURY TO PERSONS IN THE EVENT OF A RANGE TOP GREASE FIRE, OBSERVE THE FOLLOWING:

- **SMOTHER FLAMES** with a close fitting lid, cookie sheet, or metal tray, then turn off the burner. Be careful to prevent burns. If the flames do not go out immediately, **EVACUATE AND CALL THE FIRE DEPARTMENT.**
- **NEVER PICK UP A FLAMING PAN** - you may be burned.
- **DO NOT USE WATER**, including wet dishcloths or towels - a violent steam explosion will result.
- Use an extinguisher **ONLY** if:
 - You know you have a class ABC extinguisher, and you already know how to operate it.
 - The fire is small and contained in the area where it started.
 - The fire department is being called.
 - You can fight the fire with your back to an exit.

02 HEIGHT & CLEARANCE



03 VENTING REQUIREMENT

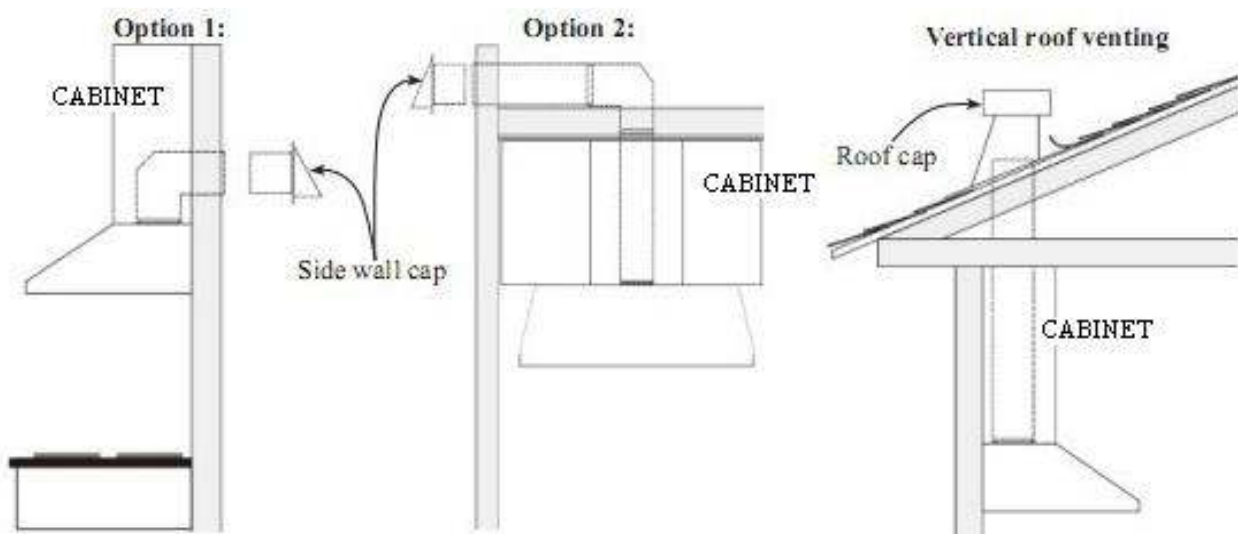
IMPORTANT:

- NEVER exhaust air or terminate duct work into spaces between walls, crawl spaces, ceiling, attics or garages. **All exhaust must be ducted to the outside.**
 - Hood mounted too low could result in heat damage and fire hazard; while hoods mounted too high will be hard to reach and will lose its performance and efficiency.
 - **Use metal duct work only.** Rigid metal vent is recommended. A minimum of 8" round (standard for this range hood, purchased separately) must be used to maintain maximum airflow efficiency
 - **DO NOT use plastic vent.**
 - **DO NOT use 4" (10.2 cm) laundry-type wall caps**
 - Fasten all connections with sheet metal screws and tape all joints with aluminum tape.
1. Use caulking to seal exterior wall or roof opening around the cap.
 2. The vent system must have a damper. If roof or wall cap has a damper, do not use damper supplied (for some models only) with the range hood.

For the most efficient & quiet operation:

- A distance of 26" to 30" is recommended between stove top and the bottom of range hood.
- It is recommended that the range hood be vented vertically through the roof through 6" or bigger vent work.
- ALWAYS, when possible, reduce the number of transitions and turns. If long duct run is required, increase duct size from 8" to 9" or 10". If a reducer is used, install a long reducer instead of a pancake reducer. Reducing duct size will restrict airflow and decrease airflow, thus reduce duct size as far away from opening as possible.
- If turns or transitions are required: Install as far away from opening and as far apart, between 2, as possible.
- The size of the vent should be uniform.
- **Use no more than three 90° elbows.**
- Make sure there is a minimum of 24" (61 cm) of straight vent between the elbows if more than one elbow is used.
- DO NOT install two elbows together.

04 VENTING METHODS:



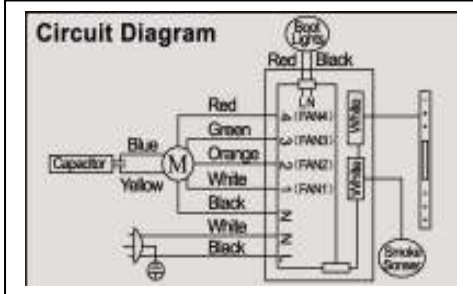
05 ELECTRICAL REQUIREMENTS & CIRCUIT DIAGRAM:

IMPORTANT: Observe all governing building codes and city ordinances.

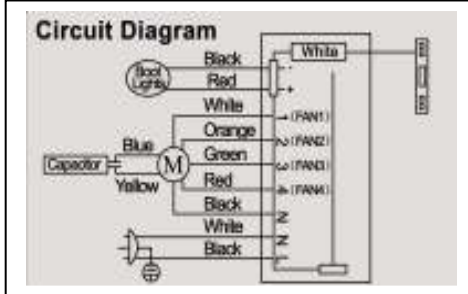
- A 120 volt, 60 Hz., AC only, 15-amp, fused electrical circuit is required.

It is the customer's responsibility:

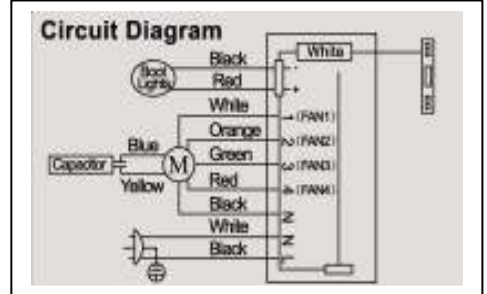
- To contact a qualified electrical installer.
- To assure that the electrical installation is adequate and in conformance with National Electrical Code, ANSI/ NFPA 70 — latest edition*, or CSA Standards C22. 1-94, Canadian Electrical Code, Part 1 and C22. 2 No. 0-M91 - latest edition** and all local codes and ordinances.



PX10, PX12



PX11



ALL Ultra Series

06 TOOL & MATERIAL YOU WILL NEED



Pencil or Marker



Measurement Tape



Stud Finder



1/8" & 1/4" Drill bit



Phillip Powered Screwdriver



10" Hex bit extension



Sawzall or Keyhole Saw



Aluminum Tape

OPTIONAL

Cabinet Jack
 (2) 2" x 4" x 24" stud
 (1) 24" x 36"/42" x 3/4" plywood
 Note: about 6" wider than stove is ok

07 PARTS SUPPLIED:



1 3/4" Screw (2 pcs)

1 1/4" Screw (4 & 2 extra)



Baffle Filters



(1) Remote Control: for all Pro-x Series only, except PX11)

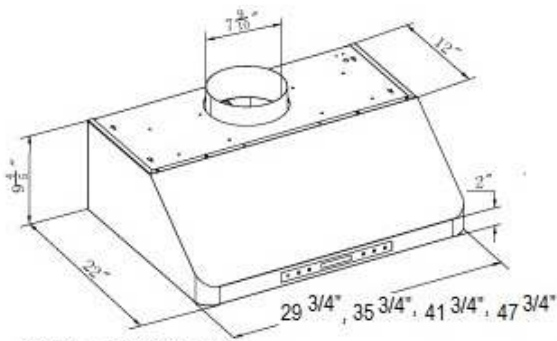


Instruction manual

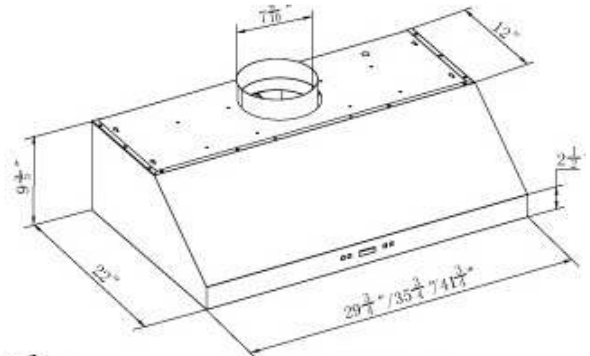


Except UL14

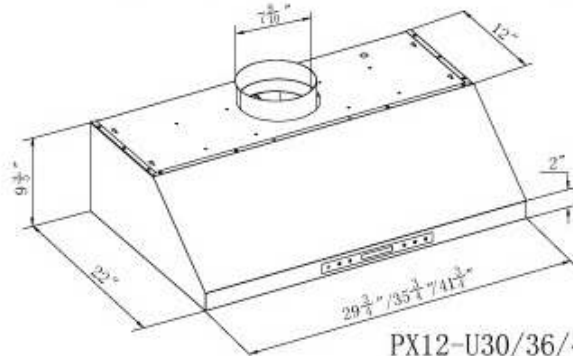
08 HOOD DIMENSIONS:



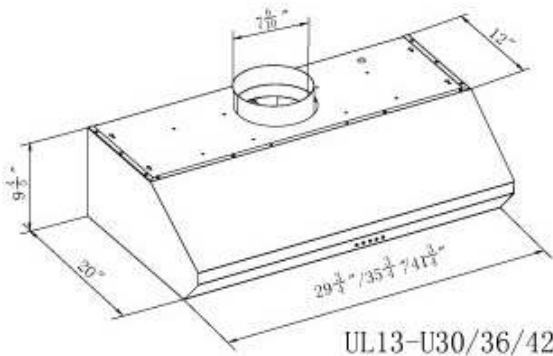
PX10-U30/36/42/48
UL10-U30/36/42



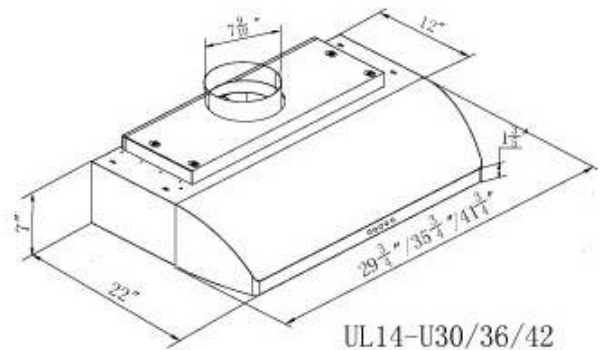
PX11-U30/36/42
UL11-U30/36/42



PX12-U30/36/42



UL13-U30/36/42



UL14-U30/36/42

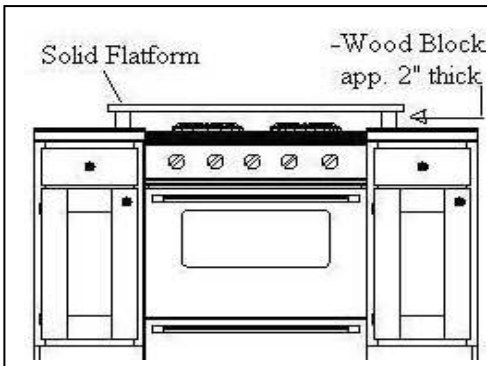
09 INSTALLATION

NOTE: DO NOT TRY TO REMOVE BLOWER OR ITS HOUSING, THE WARRANTY WILL BE VOIDED. MOREOVER, YOU WON'T BE ABLE TO PUT IT BACK IN.

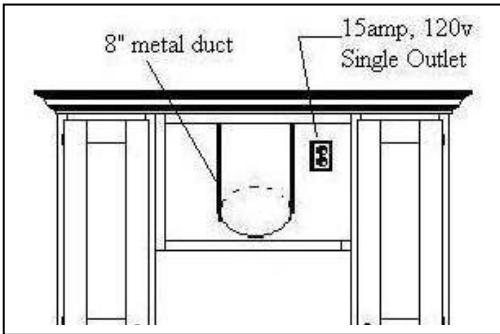
STEP 1: Protect the cook top

- Put a thick, protective covering over counter top, cook top or range to protect from damage or dirt.

STEP 2: Create work station (OPTIONAL)

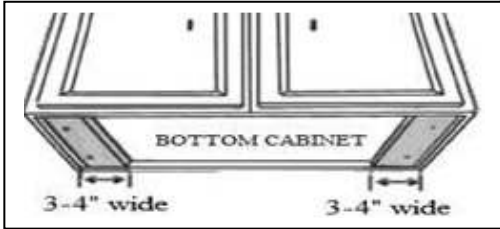


Have 2 pieces 2" x 4" x 20" on both sides of stove & plywood on top of them to protect cook top or stove from damage or dirt. This plywood will also create a comfortable work station for easy to installing.



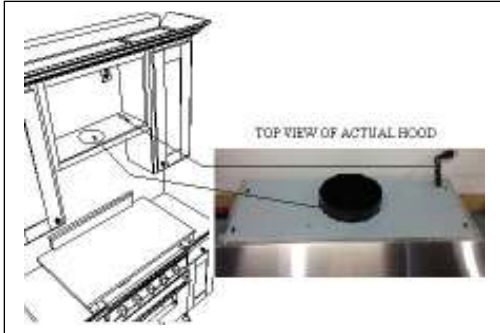
Step 3: Prepare ductwork & single outlet

- Make sure you have a 15amp, 120V, 60Hz, single outlet on the left or right of the duct pipe (usually is on ¼ of cabinet width).
- Make sure duct pipe is ready to hook up to the range hood before beginning installation (8" diameter duct, and roof or wall cap, depending on where you will be venting your hood)



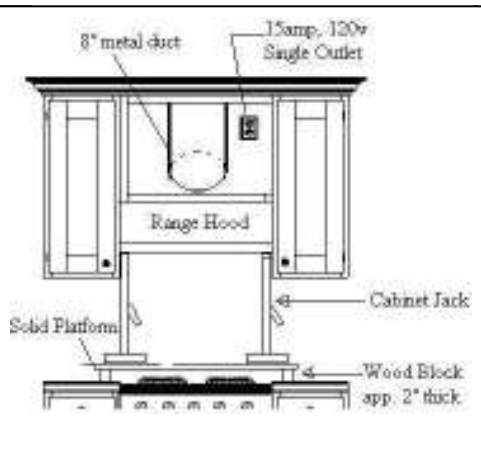
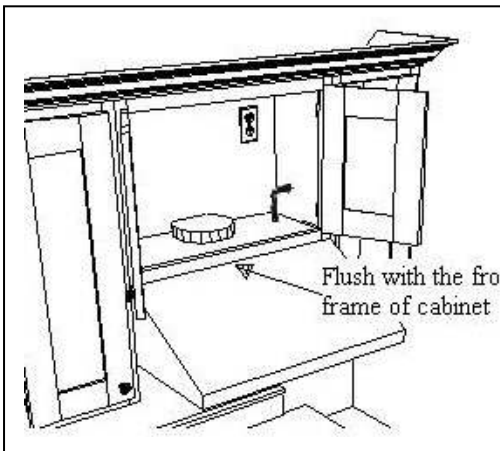
Step 4: attach 4-inch wide wood filler strips

- For installing under the cabinet with recessed bottom, attach 4-inch wide wood filler strips (not provided) on each side.



Step 5: Create accesses

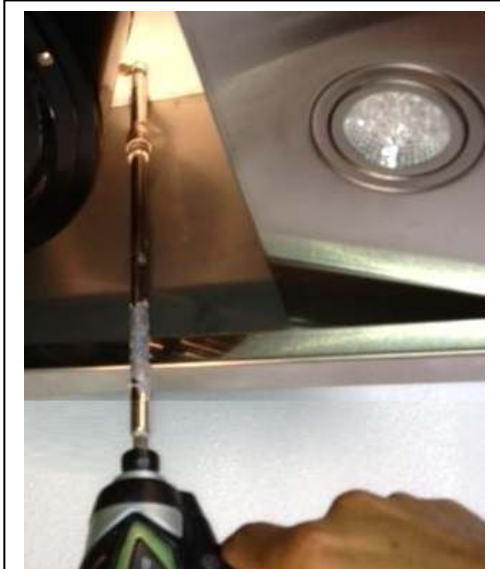
- Create or cut access opening for electrical wires and hood exhaust under the cabinet.



Step 6: Attach the hood

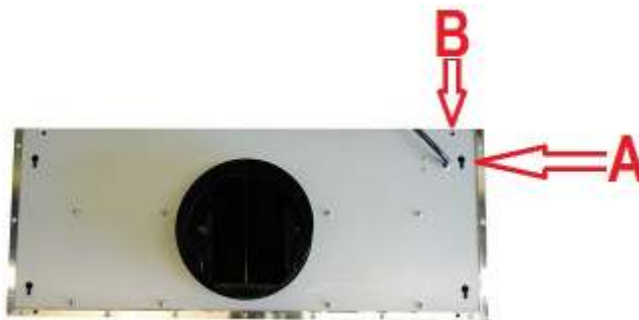
Lift the hood up and have it place below the cabinet. Make sure center the hood beneath the cabinet and flush with the front of the cabinet.

TIP (optional): since the hood is heavy, use cabinet jack is highly recommended.



Step 7: Secure the hood

From inside of the hood, place 1 ¼" provided screw into each key holes (A) OR Pre-holes (B) and secure to cabinet bottom. There are total of 8 holes (4 keyholes, 4 pre-holes-EXCEPTED UL14) available, you can use either key or pre-hole as long as minimum 1 screw at each corner of hood body.





Step 7: Secure the hood-continue

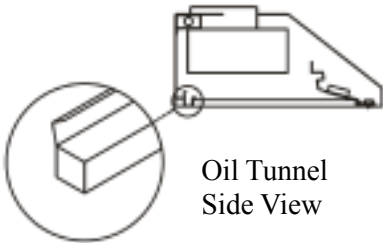
Secure the hood by using 1 7/8” provided screws through the back of the hood to the studs (use stud finder to find the stud and use 1/8” drill bit to drill through the back of the hood)

CAUTION: Make certain the range hood is secure before releasing!



Step 8: Connect ductwork

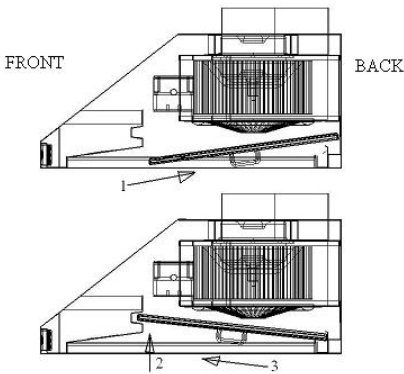
- Connect the exhaust on the hood to the ductwork about. Use aluminum tape to make all joints secure and tight.



Oil Tunnel Side View

Step 9: Install oil tunnel or oil container (not available for all models)

Drop oil tunnel into recess support near rear of hood. Refer to the left picture



Baffle Installation Side View

Step 10: Install baffle filters

Install baffle filters; refer to left picture for the following three steps:

- 1.Angle baffle filter toward back of hood.
- 2.Lift a baffle filter up above horizontal level.
- 3.Slide forward into slot behind the front of hood.

To remove the baffle, please reverse the process.

10 RANGE HOOD OPERATION

BEFORE YOU BEGIN (important): this machine is equipped with TOUCH SENSITIVE CONTROL, so please

1. DO NOT PRESS. Only TOUCH & HOLD DOWN 1 SECOND for every change makes.
2. TOUCH A WHOLE BUTTON only, please see below picture wrong vs. right

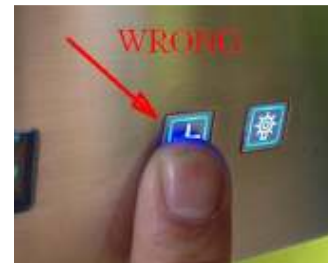
RIGHT



RIGHT: a whole button is covered by a finger

VS.

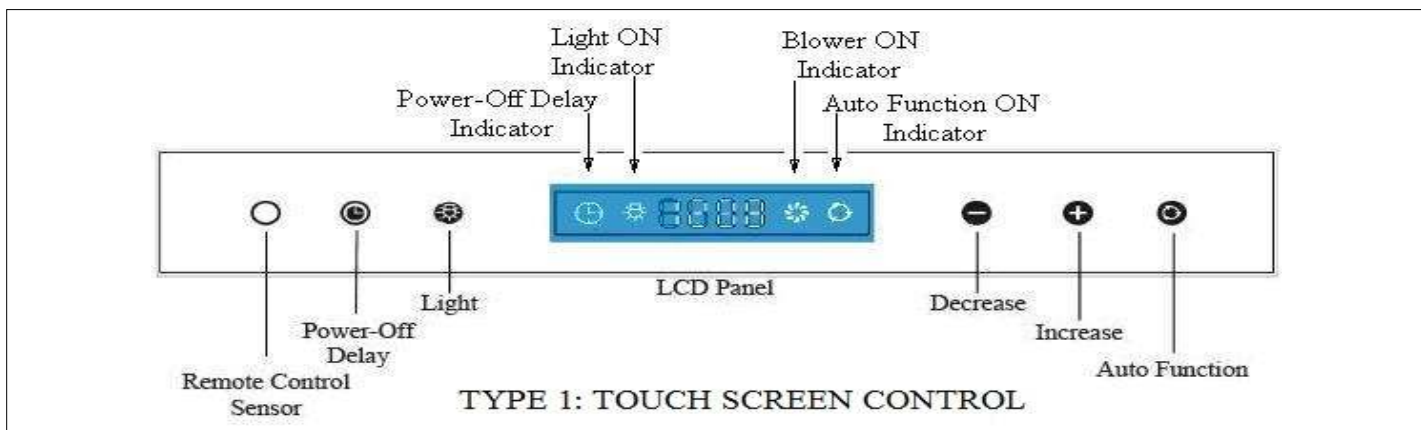
WRONG



WRONG: Only half of a button is covered by a finger

NOTE: For best results, start the range hood before cooking and allow it to operate several minutes after the cooking is completed to clear all smoke and odors from the kitchen.

1. TYPE 1: TOUCH SCREEN CONTROL (For Pro-X Series PX10, PX12-models)



Note: This range hood is equipped with remote control and smoke sensor that will self-calibrate within 5 seconds when the range hood is first electrically activated. Self-calibration will be set when the range hood beeps. LCD panel will turn off automatically after a period of inactivity.

A. Activating Smoke Detector Function:



- Touch *Auto Function* button to activate the smoke detector auto function mode
- NOTE: this function will only work when there's a lot of smoke. **ONCE THIS BUTTON IS TOUCHED, ALL OTHER BUTTONS ARE NOT ACTIVE.**

B. Activating Normal Blower Function:



- While the range hood is off,
Touch (+) to start from lowest speed, F1
Touch (-) to start from Highest speed, F4
Touch (+) or (-) again to change the blower speed as indicated in LCD panel

00	= blower off
F1	= quiet speed
F2	= low speed
F3	= medium speed
F4	= high speed

C. Activating Light Function:



- Touch *Light* button to turn the lights on or off.

D. Activating Power-Off Delay Function:



1. While the range hood is on and the blower is running in normal mode, touch *Power-Off Delay* button to activate delay off timer.
2. Adjust to desired period of delay of timer by touching (-) or (+) button quickly (1-15 minutes). Timer begins to countdown immediately, when it reaches 0, the blower will shut off.
3. Display screen will show flashing clock if timer is working

E. Changing the clock:

While the blower is off:

1. Touch power sign once; the hour indicator will flashing
2. use (+) or (-) to adjust to designed hour
3. Touch power sign again; the “minutes” indicator will flashing
4. use (+) or (-) to adjust to designed minutes
5. Touch power sign again to clear the screen. Touch light button to validate. To check time, touch light button.

Note: The clock display is only for PX10

F. Remote Control Sensor:

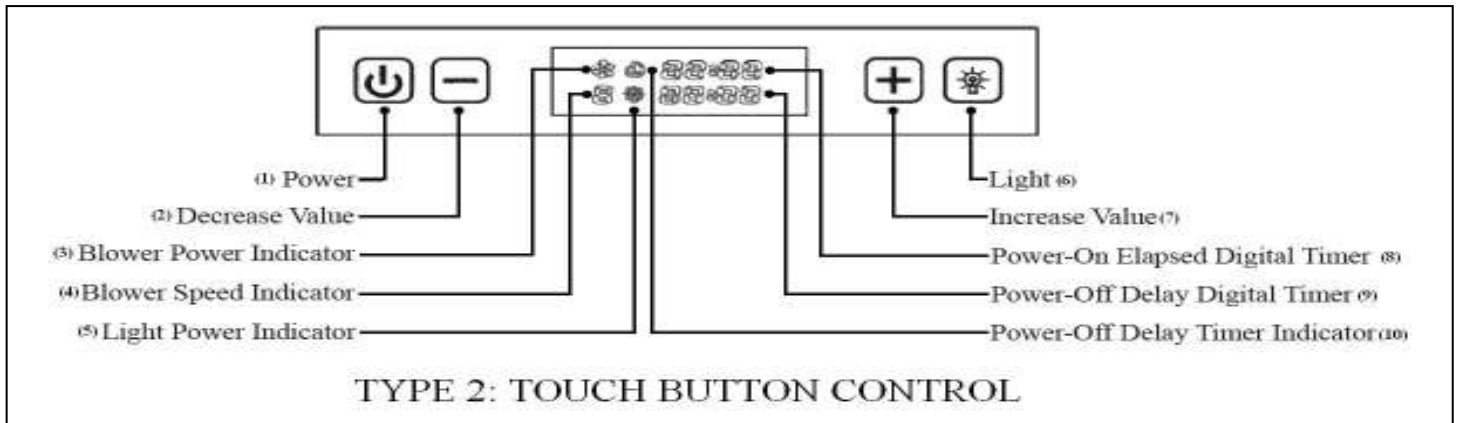


Remote control sensor receives infrared (IR) signal from the remote control. The maximum distance for IR data transmission is 3 meter and requires direct line of sight. The transmission distance may vary depending on temperature and remote control battery condition.

Light settings are independent from other settings (including power-off delay) and lights have to be manually turned on or off.

The system saves user configurations, settings such as light, timer and blower (motor) speed will remain the same the next time it is turned on.

2. TYPE 2: TOUCH BUTTON CONTROL (For Pro-X Series PX11 model)



NOTE: For best results, start the range hood before cooking and allow it to operate several minutes after the cooking is completed to clear all smoke and odors from the kitchen.

Button functions:

1. (1) To power ON/OFF, and to activate power-off delay timer.
2. (2) To decrease blower (motor) speed, decrease timer value, and enter timer mode.
3. (7) To increase blower (motor) speed, increase timer value, and cumulative timer reset.
4. (3) Blower (motor) is running light indicator
5. (4) Shows current blower (motor) speed (1-4).
6. (5) Lights up when lights turned on.
7. (6) To turns ON/OFF lights.
8. (8) Indicates the accumulated time the system is running.
9. (9) Indicates the length of time left for delay off function.
10. (10) Lights up when auto-shutdown delay timer function is on.

A. Activating Blower Function:

* Option 1: Touch and hold down (+) for 1-2 seconds

* Option 2: Touch and hold down power sign (1) for 1-2 seconds
(the blower will be running at the same speed as last used)

Note: The system saves user configurations, settings such as timer and blower (motor) speed will remain the same the next time it is turned on.

B. Adjusting blower speed:

* Touch and hold down (+) for increase

* Touch and hold down (-) for decrease

C. Turning off the blower:

*Touch and hold down power sign (1) for 1-2 seconds

D. To turn the light ON/OFF:

* Touch Light button once to turn on the lights, and once again to turn off the lights.

E. Adjusting the timer function:

1. While the blower (motor) is not running, touch and hold Decrease Value button over 3 seconds to enter timer mode.
2. Adjust to desired period of delay off timer by touching Increase Value or Decrease Value **button (minimum 1 minute to maximum 15 minutes). This setting will be saved immediately.**

F. Activating the timer function:

* While the blower (motor) is running, touch and hold Power button for over 3 seconds to activate delay off timer. Power-off delay indicator will light up and power-off delay digital timer will begin to countdown, when it reaches zero, the blower (motor) will shut down.

G. To clear cleaning reminder:

- When blower (motor) starts to rotate, cumulative running time will be shown in *Power-On Elapsed Digital Timer*. This timer icon flashes when 30 hours is up and reminds user to clean the baffle filters.
- After cleaning the filters and when the motor is not in use, touch and hold (+) *Increase Value* button over 3 seconds to reset the timer. Please note that turning off the system will not reset the *Power-On Elapsed Digital Timer*.

F. AUTOMATIC SHUT OFF:

- MACHINE WILL AUTOMATICLY SHUT OFF AFTER APPROX. 2 ½ HOURS (FOR THOSE MANUFACTURED AFTER AUGUST 2012 ONLY)

3. TYPE 3: SOFT PRESS BUTTON CONTROL (For All Ultra Series)



A. Activating Normal Blower Function

- Press (2) for lowest speed
- Press (3) for medium speed
- Press (4) for highest speed

B. To turn off the power:

- Press (1)

C. To turn the light ON/OFF:

- Press (5) once to turn on, press again to turn off

11 SPECIFICATION:

Body Design	Seamless Stainless Steel, Satin Finish
Power Rating	120V/60Hz (USA & Canada standard)
General Input Power	184W (90W + 2x2W)
Motor Input Power	90 W each
Ampere	1.70 A
Levels Of Speed Control	4 Levels
Airflow	(Q/L/M/H) 280CFM / 460CFM / 670CFM / 900CFM
Noise Level	(Q/L/M/H) 1.2Sone(43dB) / 2.8Sone(55dB) / 5.0Sone(63dB) / 6.5 Sone(67dB)
Number Of Motors	2 Motors
Motor Type	Single Chamber Ultra Quiet
Fan Type	Centrifugal Squirrel Cage
Filtration Type	Heavy Duty Stainless Steel Baffle Filter
Illumination	LED light, 2W Maximum
Venting Size	Top, 8 inches Round
Interference Protection	Radio Frequency Interference Protected
Note	Specification subject to change without notice, contact your local reseller for details.

12 REPLACING THE LIGHT BULB



1. Make sure the range hood is unplugged or turn OFF breaker.
2. Use the small flat crew driver to lift any where around the outsider ring as show in below picture Arrow.
3. Install new light bulb
4. Put back the light set by press it in.
5. Turn ON breaker and range hood to test for operation.

Note: you can pop out the light by pressing behind light fixture.

13 TROUBLE SHOOTING

1. If the range hood or lights does not operate after installation:

- Check if the range hood has been plugged in, make sure that all power has been turned back ON, the fuse is not blown and all electrical wiring is properly connected.
- Swap out light assembly to working ones to determine whether it is caused by defective bulbs. See *replacing the light bulbs* on Page 12.

2. The range hood vibrates when the blower is on:

- The range hood might not have been secured properly on to the cabinet or wall.
- Check if the motor is secured in place. If not, then tighten the motor in place. Check if the blower wheel is damaged.

3. The blower or fan seems weak:

- Check that the duct sized used is at least 6". Range hood WILL NOT function efficiently with insufficient duct size & loosely secured.
- Check if duct is clogged or if damper unit (half-circular flapper) is not installed correctly or opening properly. A tight mesh on a side wall cap unit might also cause restriction to the air flow.

4. The lights work but the blower is not spinning at all, is stuck or is rattling.

- The blower might be jammed or scraping the bottom due to shipping damage. Please contact us immediately.
- The motor is defective, possibly seized - change the motor.

5. The hood is not venting out properly:

- Make sure the distance between the stove top and the bottom of the hood is within 26" and 30" in distance. *Due to different ceiling height configurations, recommended height may not be applicable.*
- Reduce the number of elbows and length of duct work. Check if all joints are properly connected, sealed, and taped.
- Make sure the power is on high speed for heavy cooking

6. The hood is noiser than normal

- The duct is not secure and causes vibration
- The smaller duct size than required is used

7. Control panel is not active

- Check to make sure the auto function is not on

8. Remote control is not working

- Check to make sure the plastic film was removed.

14 USE & CARE INFORMATION:

Operations:

- Read and understand all instructions and warnings in this manual before operating the appliance. Save these instructions for future reference.
- Always leave safety grills and filters in place. Without these components, operating blowers could catch on to • hair, fingers and loose clothing.
- NEVER dispose cigarette ashes, ignitable substances, or any foreign objects into blowers.
- NEVER leave cooking unattended. When frying, oil in the pan can easily overheat and catch fire. The risk of self combustion is higher when the oil has been used several times.
- NEVER cook on “open” flames under the range hood. Check deep-fryers during use: Superheated oil may be flammable.

Cleaning:

- The saturation of greasy residue in the blower and filters may cause increased inflammability. Keep unit clean and free of grease and residue build-up at all times to prevent possible fires.
- **FILTERS MUST BE CLEANED PERIODICALLY AND FREE FROM ACCUMULATION OF COOKING RESIDUE. Old and worn filters must be replaced immediately.**
- DO NOT operate blowers when filters are removed. Never disassemble parts to clean without proper instructions. Disassembly is recommended to be performed by qualified personnel only. Read and understand all instructions and warnings in this manual before proceeding.

MAINTENANCE:

SAFETY WARNING: Never put your hand into area housing the fan while the fan is operating!

For optimal operation, clean range hood and all baffle/spacer/filter/grease tunnel/oil container regularly. Regular care will help preserve the appearance of the range hood.

Cleaning Exterior surfaces:

- Clean periodically with hot soapy water and clean cotton cloth. **Do not use corrosive or abrasive detergent (e.g. Comet Power Scrub®, EZ-Off® oven cleaner), or steel wool/scoring pads, which will scratch and damage the stainless steel surface.** For heavier soil use liquid degrease such as “Formula 409®” or “Fantastic®” brand cleaner.
- If hood looks splotchy (stainless steel hood), use a stainless steel cleaner to clean the surface of the hood. Avoid getting cleaning solution onto or into the control panel. Follow directions of the stainless steel cleaner. **CAUTION:** Do not leave on too long as this may cause damage to hood finish. Use soft towel to wipe off the cleaning solution, gently rub off any stubborn spots. Use dry soft towel to dry the hood.
- After cleaning, you may use non abrasive stainless steel polish such as 3M ® or ZEP®, to polish and buff out the stainless luster and grain. Always scrub lightly, with clean cotton cloth, and with the grain.
- **DO NOT** allow deposits to accumulate or remain on the hood.
- **DO NOT** use ordinary steel wool or steel brushes. Small bits of steel may adhere to the surface and cause rusting.
- **DO NOT** allow salt solutions, disinfectants, bleaches, or cleaning compounds to remain in contact with stainless steel • for extended periods. Many of these compounds contain chemicals, which may be harmful. Rinse with water after exposure and wipe dry with a clean cloth.

Cleaning Aluminum Grease Filter / Stainless Steel Filter less Grill:

IMPORTANT: Drain oil from oil containers before oil and residue overflow!

- The metal filters fitted by the factory are intended to filter out residue and grease from cooking. It need not be replaced on a regular basis but are required to be kept clean.
- Filters should be cleaned after every 30 hours of use.
- Remove and clean by hand or dishwasher. Spray “Formula 409®” or equivalent degreasing detergent and leave to soak if heavily soiled. Dry filters and re-install before using hood.

Replacing Filters:

- Should filters wear out due to age and prolonged use, please contact your local reseller for replacement filters.

Note: Also replace damaged filter that has punctured or broken mesh, bent or broken frame.

XtremeAIR USA HOOD TEN (10) YEARS MOTOR LIMITED WARRANTY

XtremeAir USA Range Hood (hereunder called "The Company") warrants its product against defects in material or workmanship for the time periods and as set forth below.

Parts: For a period of two (2) years from the original date of purchase of product ("Parts Warranty"), The Company will supply new or equivalent replacement parts in exchange for parts determined to be defective. The motor warranty is extended for an additional eight (8) years to accumulate of ten (10) years total (motor only).

Labor: For a period of one (1) year from the original date of purchase of the product ("Labor Warranty"), if the product is determined to be defective, The Company will repair or replace the product, at its option, at no charge. After the Labor Warranty period, labor charges are applicable.

Warranty Performance: In the event of any malfunction or defect covered under the terms of this warranty, immediately contact the company. Written notice of any malfunction or defect must be given within 7 days of the time of the discovery of the malfunction and must be accompanied by the original consumer purchase receipt which shows the date of purchase unless product has been registered

Please complete the [Product Registration Card](#) and return it with the dated bill of sale or other evidence of the original proof of purchase within 30 days from purchase of the product to address shown below to protect your investment.

To obtain warranty service, the products must be delivered, freight prepaid, in either its original packaging or packaging affording an equal degree of protection to the company authorized service facility specified as below. The repaired unit will be returned at the company expense.

309 N. Harbor Blvd., Santa Ana, CA 92703, USA

For specific instructions on how to obtain warranty service for your product, Visit XtremeAir USA's Web Site:
www.XtremeAirUsa.com/Warranty/Service

Or call XtremeAir USA Customer Information Service Center: 1(714)554-9000

Repair / Replacement Warranty: This Limited Warranty shall apply to any repair, replacement part or replacement product for the remainder of the original Limited Warranty period. Any part or product replaced under this Limited Warranty will become the property of The Company.

This Limited Warranty only covers product issues caused by defects in material or workmanship during ordinary consumer use or non-transferable; it does not cover product issues caused by any other reason, including but not limited to product issues due to commercial use, acts of God, misuse, defects resulting from damages sustained during shipping, unauthorized repair, modification of or to any part of the XtremeAir product.

This Limited Warranty does not cover XtremeAir products sold AS IS or WITH ALL FAULTS, light bulbs, remote control, normal maintenance and service, costs of removal, installation. This Limited Warranty is invalid if the factory-applied serial number has been altered or removed from the product.

DISCLAIMERS

XtremeAir USA LLC shall not be responsible for loss of use or other incidental consequential costs, expenses or damages which may occur. Under no circumstances shall XtremeAir USA LLC or any of its representatives be held liable for injury to any person or damage to any property, however arising. This warranty gives you specific legal rights, and you may have other rights which vary from state to state.

All rights reserved to XtremeAir USA LLC

XtremeAIR Warranty 6.1.13