

# 27" Double Wall Oven

500 Series - Stainless Steel HBN5651UC



**HBN5651UC**  
Stainless Steel

The Bosch wall oven features Genuine European Convection and heavy metal stainless steel knobs.

## Features & Benefits

Genuine European Convection for even baking results on multiple racks.

Heavy-duty metal knobs offer a premium European feel.

Bosch wall ovens are compatible with most competitors' cutouts.

The wall oven is designed to be installed flush with cabinetry.

## General Properties

|                                  |   |
|----------------------------------|---|
| Cooking Modes - upper cavity     | Bake, Variable Broil (hi & low), Roast, Warm, Sabbath, Proof Dough, Convection Bake, Convection Broil, Convection Roast, Pizza, Multi Rack Genuine European Convection, Convection Conversion |
| Cooking Modes - lower cavity     | Bake, Variable Broil (hi & low), Roast, Warm, Sabbath   |
| Cleaning Type - upper cavity     | Self-Clean  |
| Cleaning Type - lower cavity     | Self-Clean  |
| Telescopic Rack                  | 0   |
| Illumination Type - upper cavity | Incandescent  |
| Illumination Type - lower cavity | Incandescent  |
| Interior Lights - upper cavity   | 2   |
| Interior Lights - lower cavity   | 2   |



## Oven Performance

|  |         |
|--|---------|
| Bake Element Wattages - upper cavity       | 2,400 W |
| Broil Element Wattages - upper cavity      | 3,800 W |
| Convection Element Wattages - upper cavity | 2,000 W |
| Bake Element Wattages - lower cavity       | 2,400 W |
| Broil Element Wattages - lower cavity      | 3,800 W |
| Convection Element Wattages - lower cavity | N/A     |

## Technical Details

|                        |                           |
|------------------------|---------------------------|
| Watts (W)              | 8,535 W                   |
| Circuit Breaker (A)    | 40 A                      |
| Volts (V)              | 240/208 V                 |
| Frequency (Hz)         | 60 Hz                     |
| Power Cord Length (in) | 50"                       |
| Plug Type              | Fixed Connection, No Plug |
| Energy Source          | Electric                  |

## Dimensions & Weight

|   |                                       |
|---|---------------------------------------|
| Overall Appliance Dimensions (HxWxD) (in) | 52 1/16" x 26 3/4" x 23 1/2"          |
| Required Cutout Size (HxWxD) (in)         | 49 3/4" - 51 1/2" x 25 1/2" x 23 1/2" |
| Net Weight (lbs)                          | 243 lbs                               |

## Accessories—Included

|          |  |
|----------|--|
| Included | Upper Oven: 2 x Oven Racks<br>Lower Oven: 2 x Oven Racks |
|----------|--|

For help and assistance with Bosch accessories please visit: [www.bosch-eshop.com/eshop/bosch/us](http://www.bosch-eshop.com/eshop/bosch/us) or call 1-800-944-2904 Mon-Fri 5am to 6pm PST Sat 6am to 3pm PST

Notes: All height, width and depth dimensions are shown in inches. Please refer to installation instructions prior to making cutout. BSH reserves the absolute and unrestricted right to change product materials and specifications, at any time, without notice. Consult the product's installation instructions for final dimensional data and other details. Applicable product warranty can be found in accompanying product literature or you may contact your account manager for further details.

Warranties: Bosch warrants that the Product is free from defects in materials and workmanship for a period of three hundred and sixty-five (365) days from the date of purchase. The foregoing timeline begins to run upon the date of purchase, and shall not be stalled, tolled, extended, or suspended, for any reason whatsoever. This Product is also warranted to be free from cosmetic defects in material and workmanship (such as scratches of stainless steel, paint/porcelain blemishes, chip, dents, or other damage to the finish of the Product, for a period of thirty (30) days from the date of purchase or closing date for new construction. This cosmetic warranty excludes slight color variations due to inherent differences in painted and porcelain parts, as well as differences caused by kitchen lighting, product location, or other similar factors. This cosmetic warranty specifically excludes any display, floor, "As Is", or "B" stock appliances.

For more information on our entire line of products, go to [www.bosch-home.com/us](http://www.bosch-home.com/us) or call 1-800-944-2904

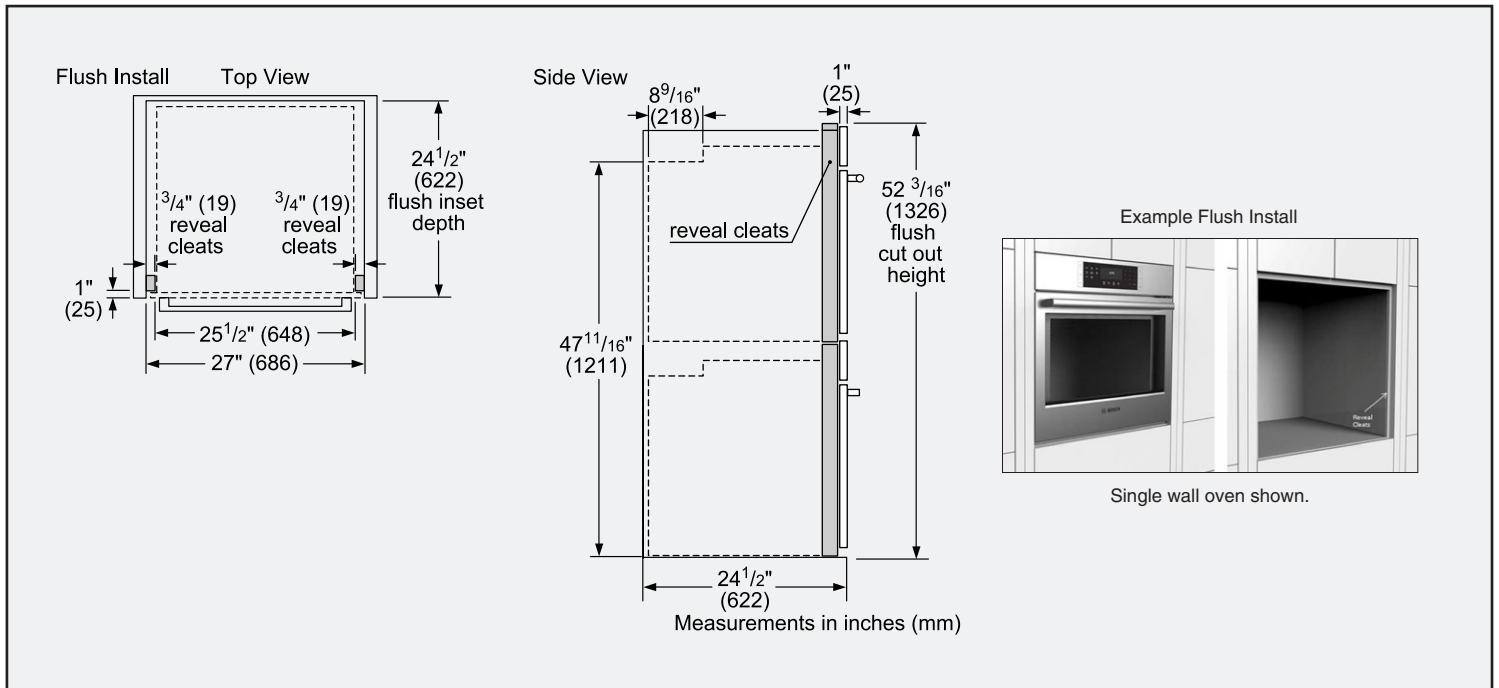
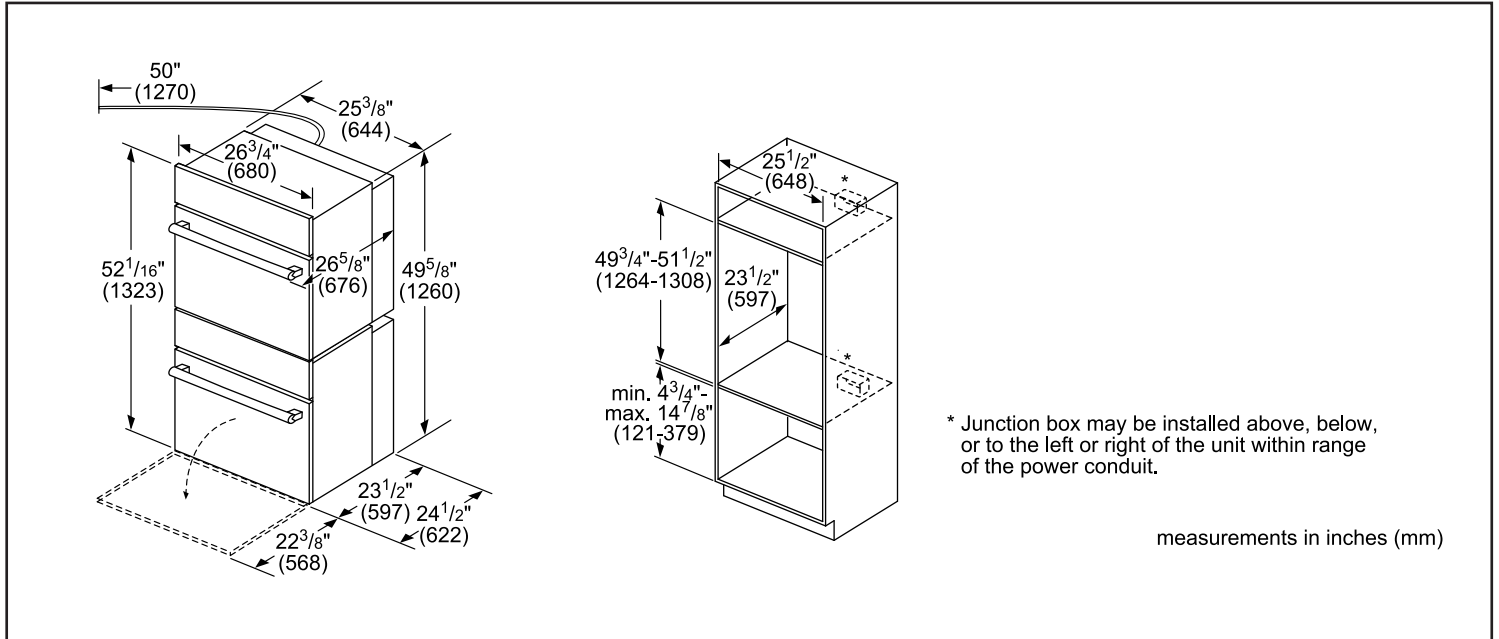
© BSH Home Appliances Corporation. All rights reserved. Bosch is a registered trademark of Robert Bosch GmbH.

# 27" Double Wall Oven

500 Series - Stainless Steel HBN5651UC



## Installation Details



For help and assistance with Bosch accessories please visit: [www.bosch-eshop.com/eshop/bosch/us](http://www.bosch-eshop.com/eshop/bosch/us) or call 1-800-944-2904 Mon-Fri 5am to 6pm PST Sat 6am to 3pm PST

Notes: All height, width and depth dimensions are shown in inches. Please refer to installation instructions prior to making cutout. BSH reserves the absolute and unrestricted right to change product materials and specifications, at any time, without notice. Consult the product's installation instructions for final dimensional data and other details. Applicable product warranty can be found in accompanying product literature or you may contact your account manager for further details.

Warranties: Bosch warrants that the Product is free from defects in materials and workmanship for a period of three hundred and sixty-five (365) days from the date of purchase. The foregoing timeline begins to run upon the date of purchase, and shall not be stalled, tolled, extended, or suspended, for any reason whatsoever. This Product is also warranted to be free from cosmetic defects in material and workmanship (such as scratches of stainless steel, paint/porcelain blemishes, chip, dents, or other damage to the finish of the Product, for a period of thirty (30) days from the date of purchase or closing date for new construction. This cosmetic warranty excludes slight color variations due to inherent differences in painted and porcelain parts, as well as differences caused by kitchen lighting, product location, or other similar factors. This cosmetic warranty specifically excludes any display, floor, "As Is", or "B" stock appliances.

For more information on our entire line of products, go to [www.bosch-home.com/us](http://www.bosch-home.com/us) or call 1-800-944-2904

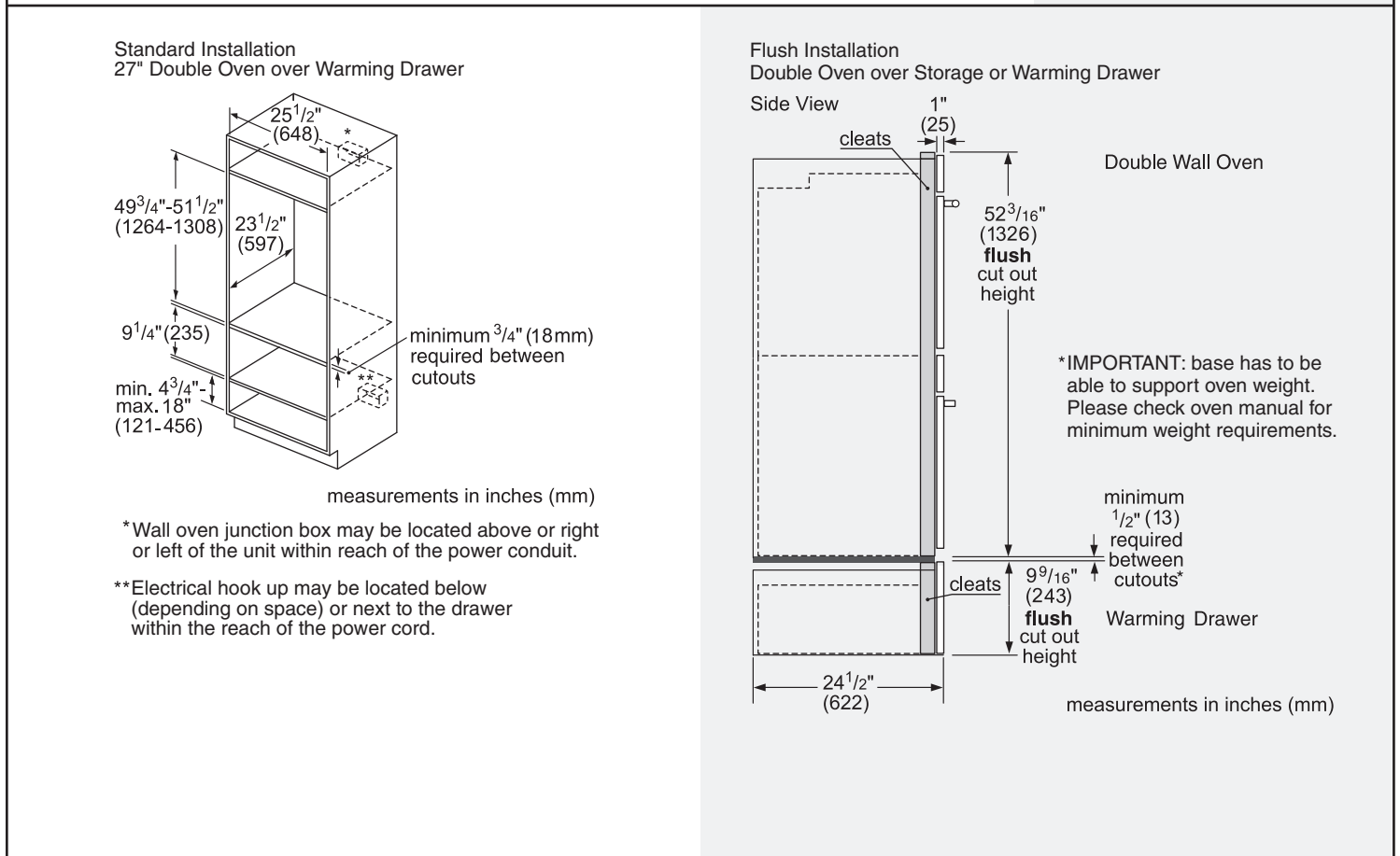
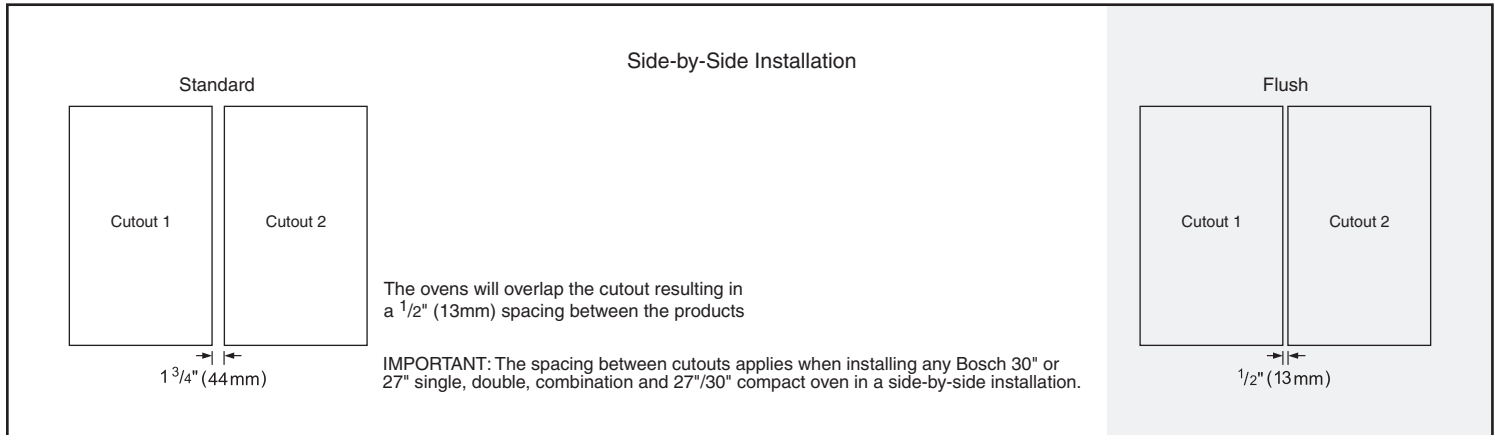
© BSH Home Appliances Corporation. All rights reserved. Bosch is a registered trademark of Robert Bosch GmbH.

# 27" Double Wall Oven

500 Series - Stainless Steel HBN5651UC



## Installation Details



For help and assistance with Bosch accessories please visit: [www.bosch-eshop.com/eshop/bosch/us](http://www.bosch-eshop.com/eshop/bosch/us) or call 1-800-944-2904 Mon-Fri 5am to 6pm PST Sat 6am to 3pm PST

Notes: All height, width and depth dimensions are shown in inches. Please refer to installation instructions prior to making cutout. BSH reserves the absolute and unrestricted right to change product materials and specifications, at any time, without notice. Consult the product's installation instructions for final dimensional data and other details. Applicable product warranty can be found in accompanying product literature or you may contact your account manager for further details.

Warranties: Bosch warrants that the Product is free from defects in materials and workmanship for a period of three hundred and sixty-five (365) days from the date of purchase. The foregoing timeline begins to run upon the date of purchase, and shall not be stalled, tolled, extended, or suspended, for any reason whatsoever. This Product is also warranted to be free from cosmetic defects in material and workmanship (such as scratches of stainless steel, paint/porcelain blemishes, chip, dents, or other damage to the finish of the Product, for a period of thirty (30) days from the date of purchase or closing date for new construction. This cosmetic warranty excludes slight color variations due to inherent differences in painted and porcelain parts, as well as differences caused by kitchen lighting, product location, or other similar factors. This cosmetic warranty specifically excludes any display, floor, "As Is", or "B" stock appliances.

For more information on our entire line of products, go to [www.bosch-home.com/us](http://www.bosch-home.com/us) or call 1-800-944-2904

© BSH Home Appliances Corporation. All rights reserved. Bosch is a registered trademark of Robert Bosch GmbH.