



VIGO INDUSTRIES INSTALLATION GUIDE FOR SHOWER ENCLOSURE (MODEL VG06041)

SAFETY PRECAUTIONS

This Installation Guide uses the following symbols to indicate important information. Always observe the instructions indicated by these symbols.

WARNING

Instructions that, if ignored, could result in death or serious personal injury caused by incorrect handling or installation of the product. These instructions must be observed for safe installation.

CAUTION

The instructions for the following unit is based off of the Vigo brand shower base. The instructions can not be provided for any other installation other than that of the Vigo brand. The warranty will be voided if the following was not performed properly.

IMPORTANT

Maintenance and other important non-personal injury and non-material damage instructions or statements that should be observed.

It is highly advised to dry fit the unit prior to any installation.

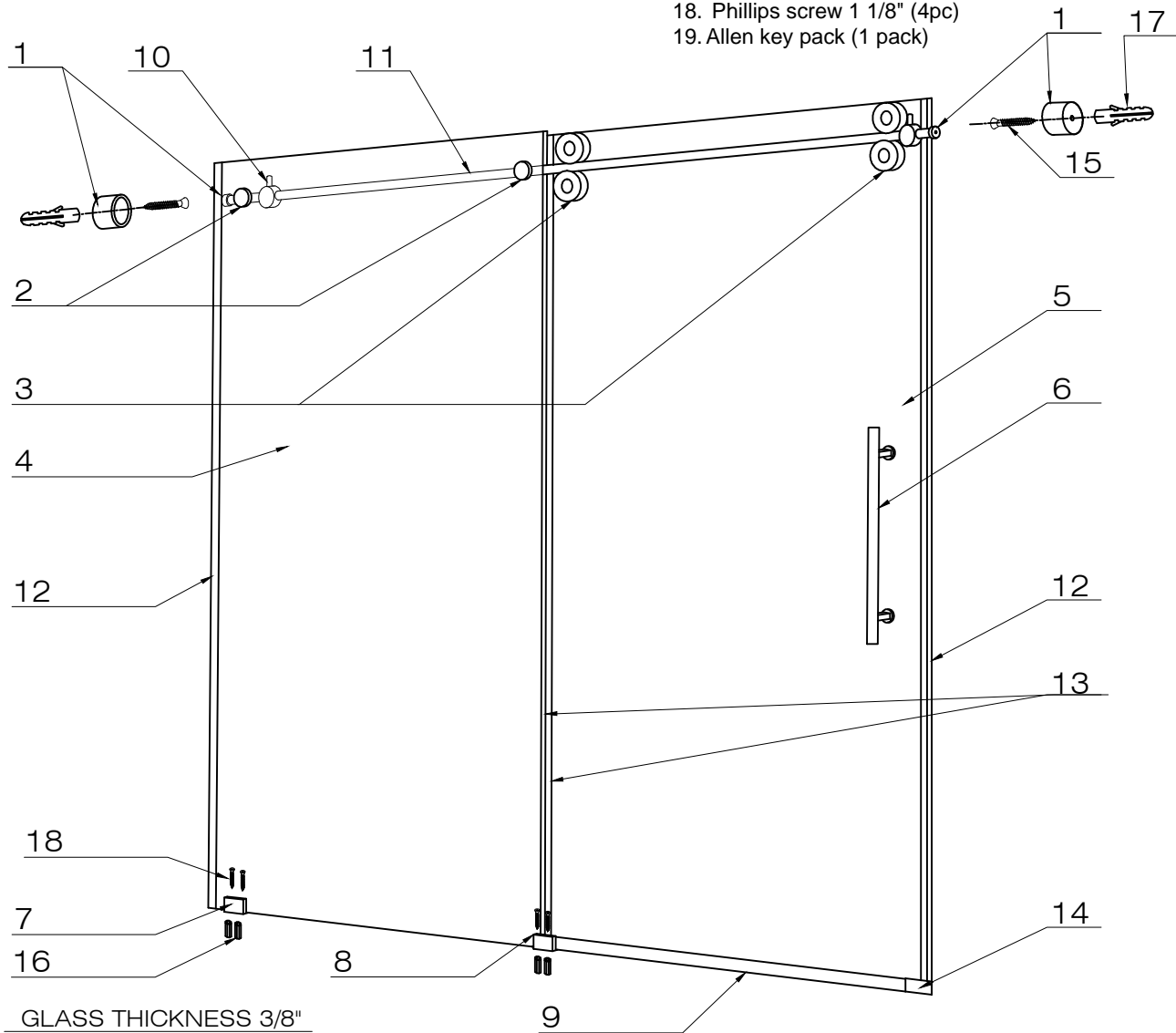
INSTALLATION INSTRUCTIONS FOR SHOWER DOOR

OWNER'S MANUAL

PLEASE READ INSTRUCTIONS BEFORE PROCEEDING

Packing List

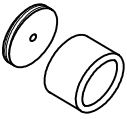


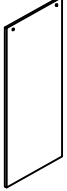
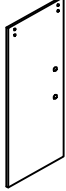
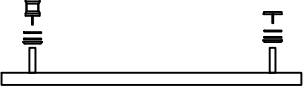
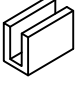
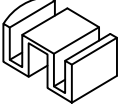
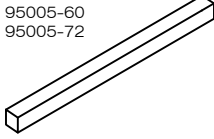
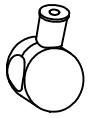
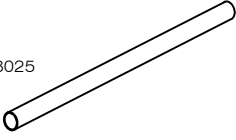
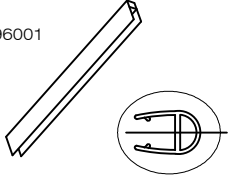
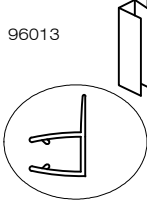
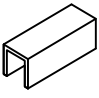
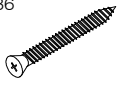
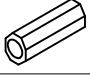

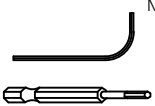
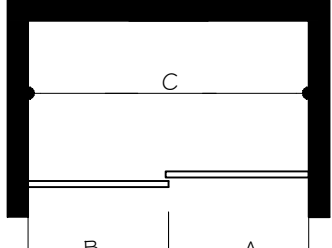
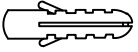
1. Wall mount bracket (2pc)
2. Fixed panel holders (2pc)
3. Rollers (4pc)
4. Fixed panel (1pc)
5. Door (1pc)
6. Handle assembly (1pc)
7. Fixed panel bottom clip (1 pc)
8. Door bottom guide (1 pc)
9. Door threshold (1pc)
10. Door stopper (2pc)
11. Structural rail (1pc)
12. Door and fixed panel seal strip (2pc)
13. Door seal strip (3pc., 1 of each is extra)
14. Threshold extension clip (1 pc)
15. Phillips screw 2" (2pc)
16. Plastic anchors green (4pc)
17. Plastic anchors white (2pc)
18. Phillips screw 1 1/8" (4pc)
19. Allen key pack (1 pack)



GLASS THICKNESS 3/8"

NOTE: INSTALLATION MUST BE DONE BY A QUALIFIED, LICENSED PROFESSIONAL.

MODEL VG06041

<p>1. WALL MOUNT BRACKET ASSEMBLY 98018</p> 	<p>2. FIXED PANEL HOLDER 98019</p> 	<p>3. ROLLERS 98020</p> 	<p>4. FIXED PANEL 97015-48x74 97015-60x66 97015-60x74 97015-72x74</p> 	<p>5. DOOR 97016-48x74 97016-60x66 97016-60x74 97016-72x74</p> 
<p>6. HANDLE ASSEMBLY 98021</p> 	<p>7. FIXED PANEL BOTTOM CLIP 98022</p> 	<p>8. DOOR BOTTOM GUIDE 98023</p>  <p>adjustment on bottom, make sure it is set to 10mm or 3/8"</p>	<p>9. DOOR THRESHOLD 95005-48 95005-60 95005-72</p> 	<p>10. DOOR STOPPER 98024</p> 
<p>11. STRUCTURAL RAIL 98025</p> 	<p>12. DOOR AND FIXED PANEL SEAL STRIP 96001</p> 	<p>13. DOOR SEAL STRIP 96013</p> 	<p>14. THRESHOLD EXTENSION CLIP 95006</p> 	<p>15. PHILLIPS SCREW 2" 98036</p> 
<p>16. PLASTIC ANCHOR 98037</p> 	<p>18. PHILLIPS SCREW 1 1/8" 98035</p> 	<p>19. ALLEN KEY PACK MISC</p> 		
<p>17. PLASTIC ANCHOR 98038</p> 				

LIST DIMENSIONS	DIMENSION "A" (DOOR)	DIMENSION "B" (FIXED PANEL)	ADJUSTABLE DIMENSION "C" (WIDTH)	HEIGHT
48X74	25 5/8" x 73 3/4"	23 5/8" x 74"	44"-48"	74"
60X74	31 1/2" x 73 3/4"	29 5/8" x 74"	56"-60"	74"
60X66	31 5/8" x 65 3/4"	29 5/8" x 66"	56"-60"	66"
72X74	37 1/2" x 73 3/4"	35 5/8" x 74"	68"-72"	74"

A, B & C DIMENSIONS WERE MEASURED AFTER SHOWER ENCLOSURE WAS COMPLETELY INSTALLED

THE CORRESPONDING VIGO BRAND BASES ARE AS FOLLOWS:
 MODEL VG06049WHT4832C - MODEL 48X74
 MODEL VG06049WHT4836C - MODEL 48X74
 MODEL VG06049WHT6030C - MODEL 60X74
 MODEL VG06049WHT6032C - MODEL 60X74
 MODEL VG06049WHT6036C - MODEL 60X74

⚠ WARNING

WE STRONGLY RECOMMEND THAT A LICENSED PROFESSIONAL INSTALL THIS STANDING SHOWER CABIN AND INCLUDE THE ASSISTANCE OF A SECOND PERSON TO INSTALL THE DOOR UNIT.

INSTALLATION OF THE SHOWER DOORS BY AN INEXPERIENCED PERSON MAY RESULT IN GLASS BREAKAGE AND CONSEQUENTLY, CAUSE PERSONAL INJURY OR DEATH.

BEFORE STARTING

Compare items on your invoice with what you have received. Carefully review the Packing List on page 2. If any items are missing, please call Vigo Industries at 1-866-591-7792.

REQUIRED TOOLS:

- Square and/or Phillips #1 and #2 screwdriver
- Flat head screwdriver
- Electric drill; 3/32", 1/8" or 3/16" drill bit (According to wall)
- Level
- Measuring tape
- Non permanent pencil
- Clear silicone caulking
- Utility knife; Hacksaw

⚠ WARNING

- Handle fragile items with care to prevent personal injury or material damage.
- The glass panels are tempered and cannot be cut. Never attempt to do so.

⊘ IMPORTANT

- Fiberglass or acrylic construction might not be sufficiently strong enough to support the shower door enclosure. You should use the wood framing from behind the face edge of the stall to provide a secure mounting to the door. Apply a bead of silicone between the walls and base of the stall.
- For optimum performance, you should install the shower door perfectly level on a level surface. By not leveling the unit during construction the unit may leak causing possible water damage.

IMPORTANT:

THE CLEAR GLASS MODEL HAS A REVERSIBLE DOOR AND CAN BE INSTALLED TO THE RIGHT OR LEFT SIDE. THE MATTE GLASS MODEL IS NOT REVERSIBLE AND THE DIRECTION OF INSTALLATION IS SPECIFIC TO THE MODEL NUMBER. THE TEXTURED SIDE OF THE MATTE GLASS UNIT SHOULD ALWAYS BE INSTALLED ON THE OUTSIDE OF THE UNIT. (SEE CONFIGURATION DIAGRAM BELOW)

INSTALLATION INSTRUCTION

BEFORE INSTALLATION: If needed, remove the plastic layer of the base border. Do not remove the plastic layer off the plastic platform of the base. Wall and base joints must be siliconed properly. To fit shower door into your opening cut structural rail on door side only!

See suggestion of configuration below.

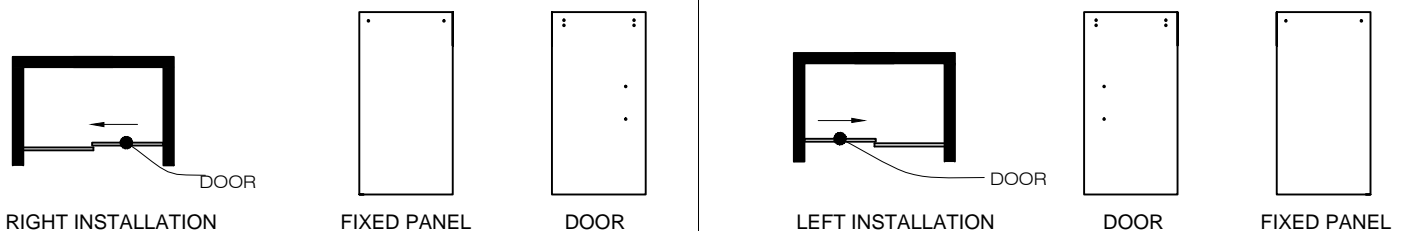


FIG. 1A (GLASS CONFIGURATION DIAGRAM)

IMPORTANT

- Verify that the overall size of the shower door opening is appropriate for the shower enclosure.
- Due to individual site variations, exact guidelines for every situation cannot be supplied. The recommended framing and dimensional requirements are shown for a typical application and may vary depending on the site requirements.
- To prevent damage to the finish, you should protect the shower cabin bottom with a cardboard protector before beginning the installation.
- Ensure that there is sufficient structural support behind the shower wall to hold the weight of the shower door. If there is insufficient enough support, then reinforce the shower walls with wooden studs prior to shower door installation.

[SEE FIG. 2]

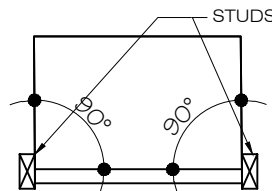


FIG.2

INSTALLATION STEPS

A. INSTALLING THE STRUCTURAL RAIL

1. Place the door panel (#5) into the shower first making sure to rest the glass in a manner that the glass or base/tub does not incur damage.
2. Remove the fixed panel holder nearest to the wall by unthreading the face cover by hand and removing the allen screw with the allen key provided. Try to hold the rail horizontally level as to not have the metal insert slide out of position. Install one door stopper (#10) in between the fixed panel holders. Install the second stopper at the door side of the rail. Re-install the face plate and modify the stopper location after installation of the door panel. Step 2 may not be necessary if the stoppers are already installed on the rail.
3. Place the wall mount brackets (#1) on both ends of the structural rail. Place rail into the cabin opening (FIG.4). If the rail is too long, then cut it with the hacksaw to fit the opening. Make sure to cut the rail on the shower door side only.
4. Note that the openings on structural rail for the fixed panel holders have an elliptic shape. This allows the holder screws inside the rail to move to the left and right. This will help in accommodating an uneven wall condition. Once you find the right position tighten the allen key and cover to fixate the fixed panel onto the rail. [SEE FIG.3]
5. Place seal strip (#12) to the fixed panel on the side that sits against the wall. [SEE FIG.3]
6. Position the fixed panel bottom clip (#7) approximately 4 inches from the wall. Position the door bottom guide (#8) on the floor making sure the edge of the fixed panel ends at the middle portion of the bottom guide. [SEE FIG.4]
7. Position the fixed panel and the structural rail assembly correctly using a level. Mark the circumference location of the wall mount brackets on the wall. Mark the fixed panel bottom clip location and bottom door guide on the floor.

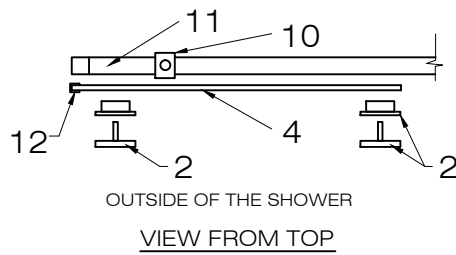


FIG.3

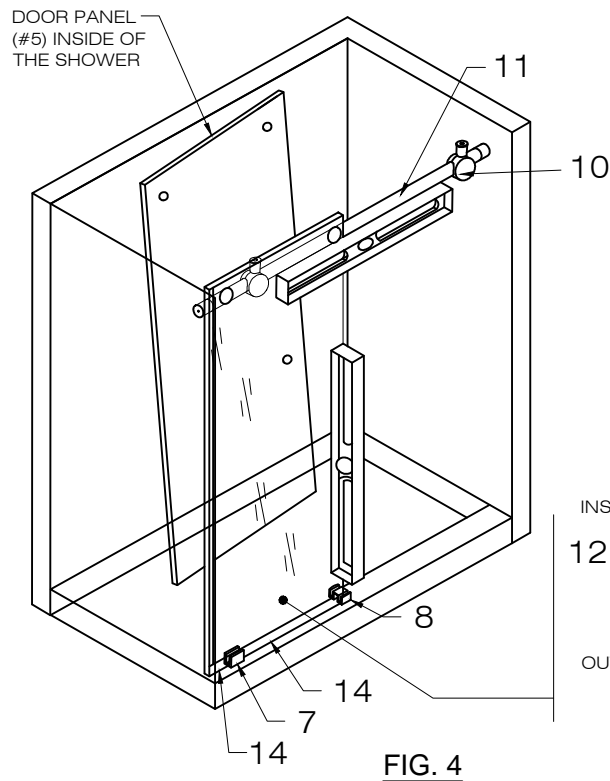
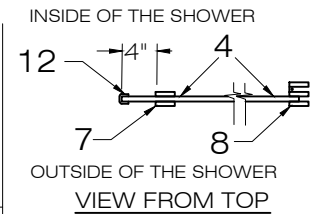


FIG. 4



OUTSIDE OF THE SHOWER

B. INSTALLING THE FIXED PANEL

1. Remove the fixed panel (#4) and structural rail (#11) assembly from the shower door opening. Find the center of the marked circumference on the wall.
2. Mark holes on the wall for the mounting screws. Drill holes and place plastic anchors (#17) inside them. Preferred method of installation negates anchors and has the installation going right into studs.
3. Remove the wall mount bracket assembly (#1) from the structural rail assembly. Unscrew the plate from the bracket assembly body. [SEE FIG.5]
4. Place plates to the wall opposite to the plastic anchors. Screw plates in with 2" screws (#15). [SEE FIG.6].
5. Place the fixed panel bottom clip (#7) and the door bottom guide (#8) to the marked locations on the floor. Note for applications where screws are not applicable the use of epoxy can occur. Refer to the type of material you are mounting to for the correct style of epoxy as it is specific to material (not provided). Epoxy should only be used on the fixed panel bottom clip and the bottom door guide. Proceed to Step 7 if this is your style of installation.
6. Mark holes on the floor for the mounting screws. Drill the holes and place the plastic anchors (#16) inside them. Screw in the fixed panel bottom clip and the door bottom guide to the floor with 1 1/8" screws (#18).
7. Place bracket body back on the rail.
8. Place the fixed panel with the structural rail assembly in its proper position and thread the bracket body to the plates.
9. Tighten the hex screws on the brackets with the hex key (supplied).

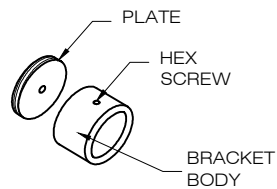


FIG. 5

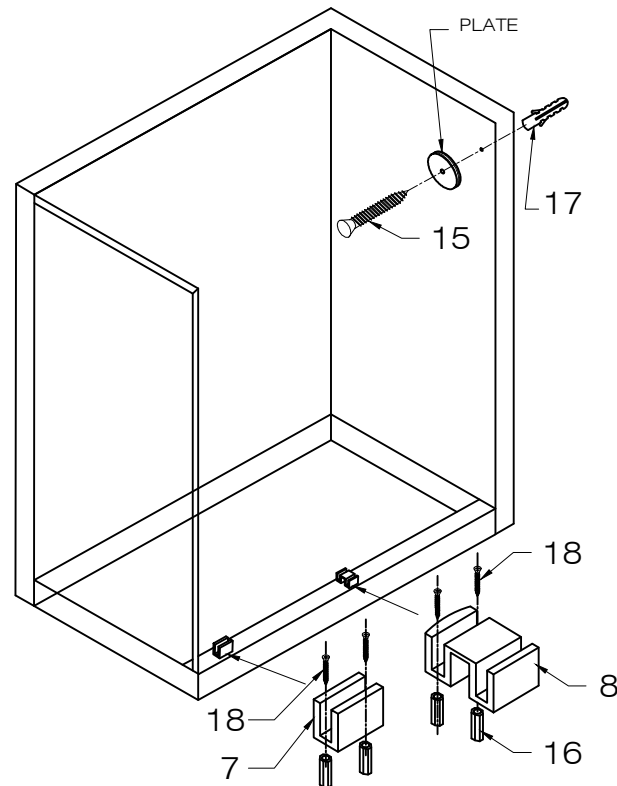


FIG. 6

C. INSTALLING THE DOOR

1. Remove the rollers (#3) from the box, note that these are fully installed. Carefully unthread the cap with a small head allen key. You will see a big hex screw, this is referred to as the roller height adjustment screw.
2. Use the provided allen key to unscrew the adjustment screw and dismantle the roller. Place the screw through door panel top holes and attach the two top rollers onto the door panel (#5). [SEE FIG.7]
3. Place seal strip (#12) to the door panel on the side that closes to the wall. [SEE FIG.8]
4. Place the two top rollers and the door panel (#5) assembly onto the structural rail (#11). Note that the rollers have a built-in mechanism that will provide adjustment for walls that are not 100% perpendicular to the floor. If necessary, unscrew the adjustment screw and rotate the individual roller. This will raise or lower the height that the roller sits on the structural rail. Please refer to pages 13-16 for "Roller Adjustments to Accommodate Out of Square Openings." Once the rollers are properly adjusted and the door sits flush against the wall in the closed position, the adjustment will be complete. Fully tighten the adjustment screws and re-install the roller caps. [SEE FIG.9]
4. Verify that the bottom of the door aligns with the notch in the bottom door guide (SEE FIG. 10).
5. Screw the two bottom rollers (#3) to the door panel.
6. Adjust the stoppers' position on the structural rail and tighten the hex screws.

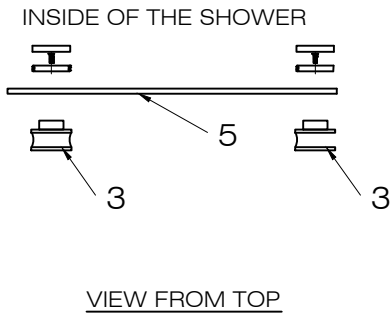


FIG. 7

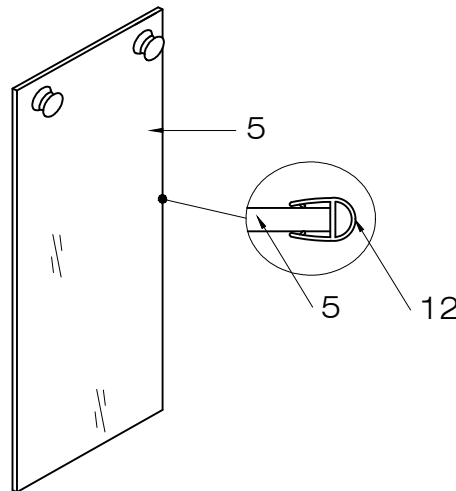


FIG. 8

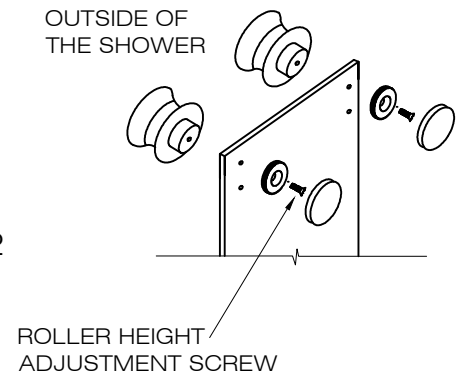


FIG. 9

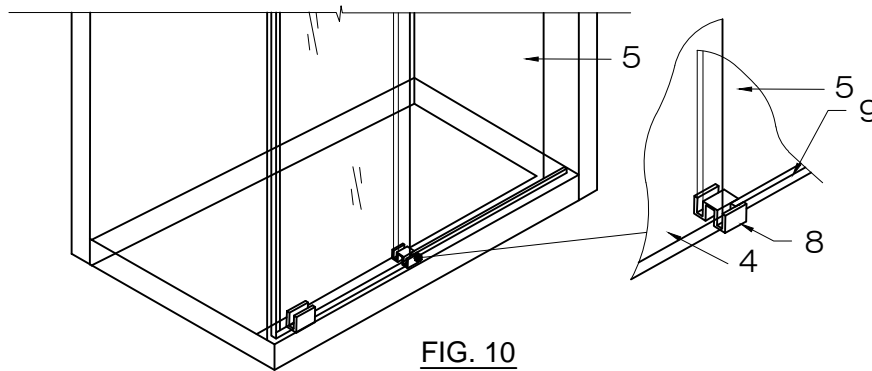


FIG. 10

D. INSTALLING THE THRESHOLD

⊘ IMPORTANT

IN CASE THE THRESHOLD IS CUT TOO SHORT, USE THE THRESHOLD EXTENSION CLIP (#14) TO EXTEND THE THRESHOLD ACCORDINGLY.

1. Place the threshold (#9) to the bottom door guide (#8). Note that the end of the threshold should go half inside the bottom door guide and rest against the fixed panel (#4). If the threshold is too long, then cut it with the hacksaw until it fits the opening. [SEE FIG.11]
2. Remove the threshold. Apply silicone to the underside of the threshold. Place the threshold back to its shower base location. Align the threshold and press firmly down.
3. Apply silicone to the threshold around the inside and outside of the shower base. Remove any excess silicone from the threshold.

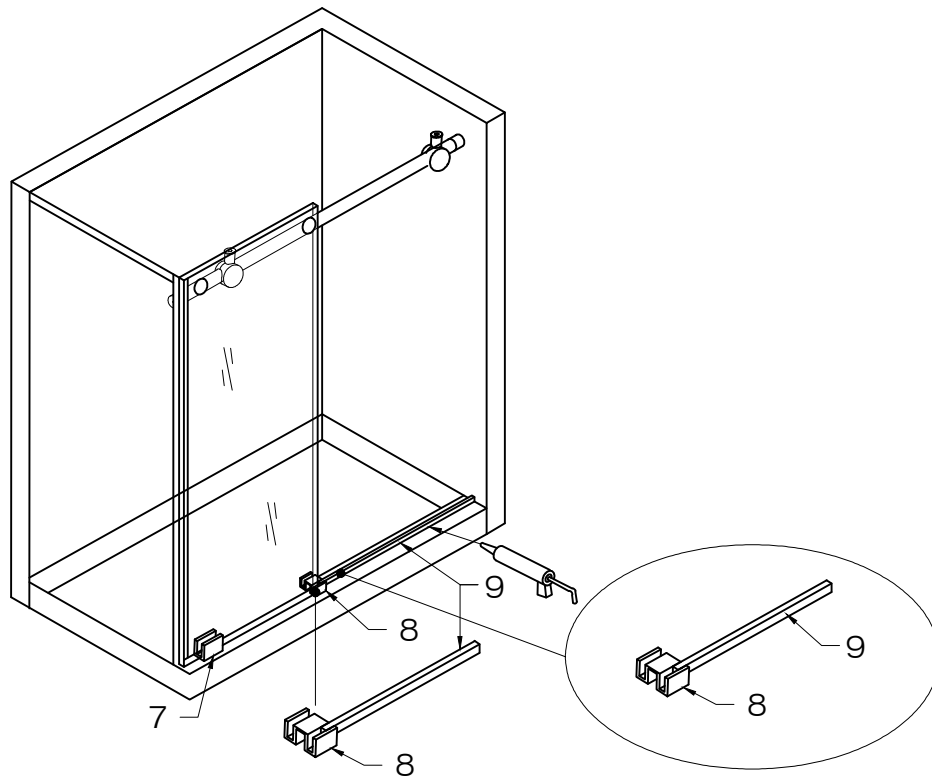


FIG. 11

E. INSTALLING THE HANDLE

1. Unscrew the handle holders from the handle assembly (#6).
2. Place the handle to the position on the door. Place plastic washers (supplied) on each side of the door. [SEE FIG.12]
3. Tighten the handle nuts from inside the shower.

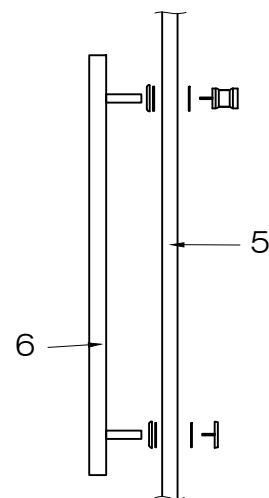


FIG. 12

F. INSTALLING THE WATER SEAL STRIP

1. Place the seal strip (#13) to the door and to the fixed panel, respectively. [SEE FIG.13]
2. Trim the flange on the seal strips so that there is enough clearance for the door to roll without the seal strips hitting against the rollers or door stopper.

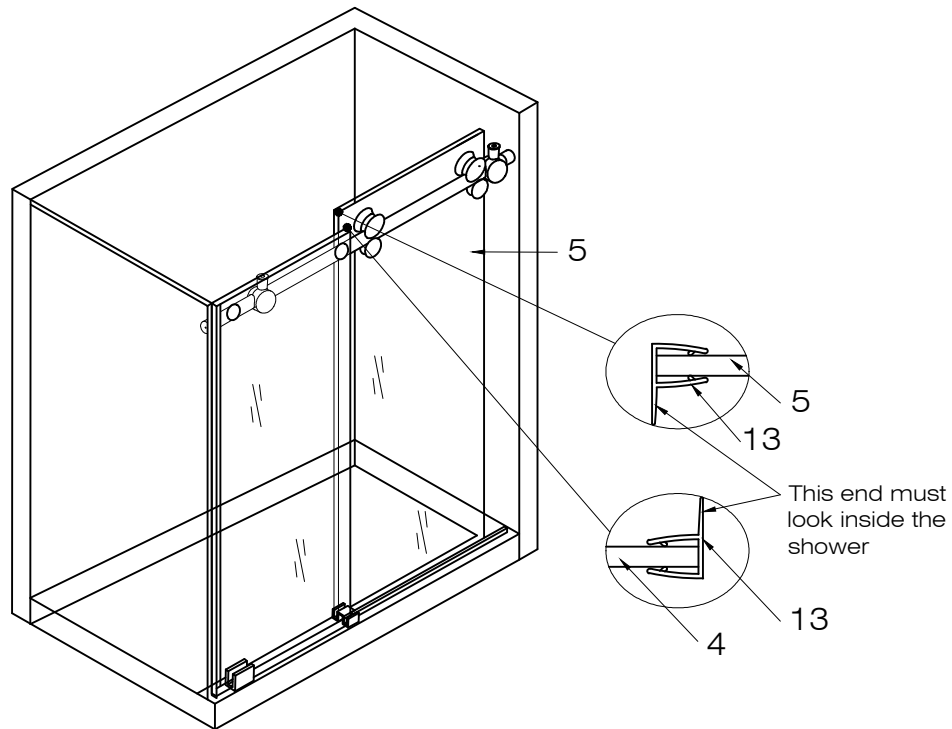


FIG. 13

G. APPLYING THE SILICONE

1. Apply clear silicone caulking along the wall and floor of the shower enclosure interior. [SEE FIG.14]
2. Apply clear silicone caulking along the fixed panel and threshold of the shower enclosure interior.

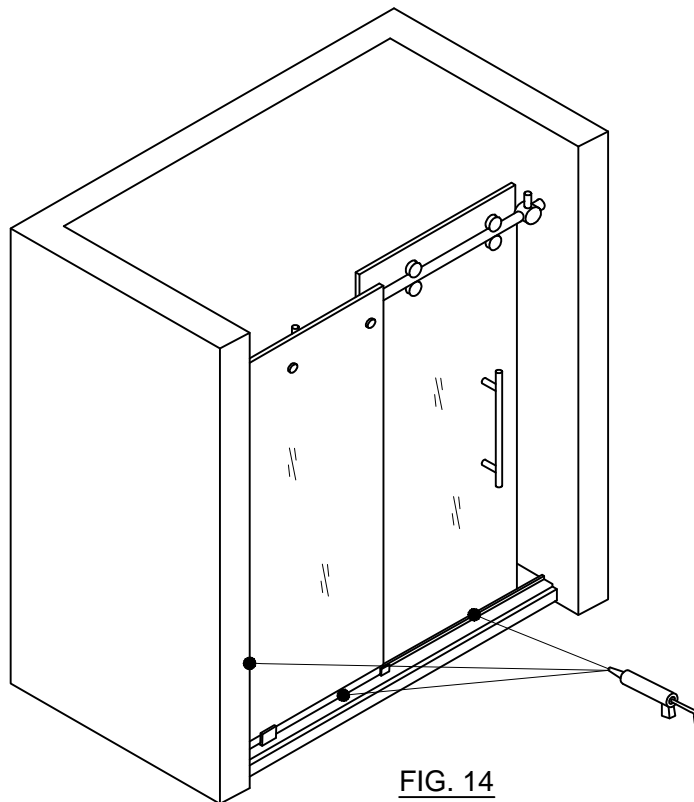
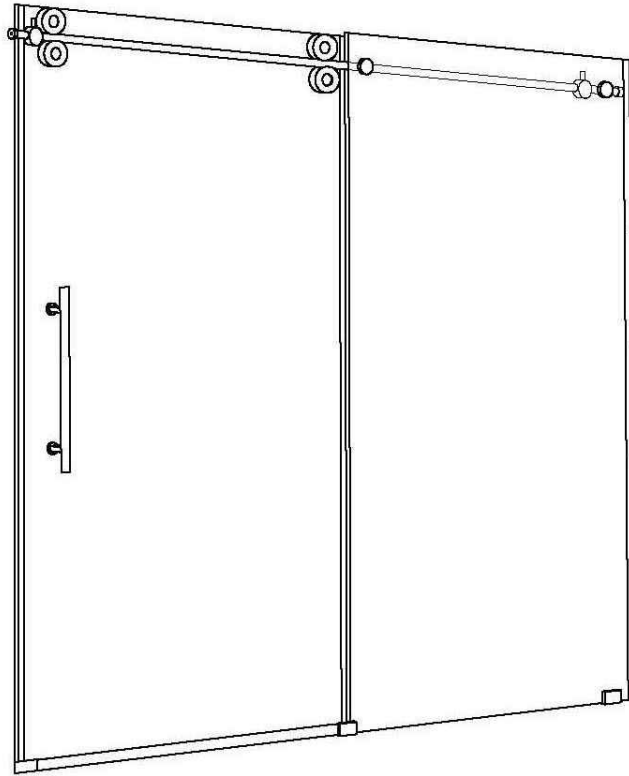
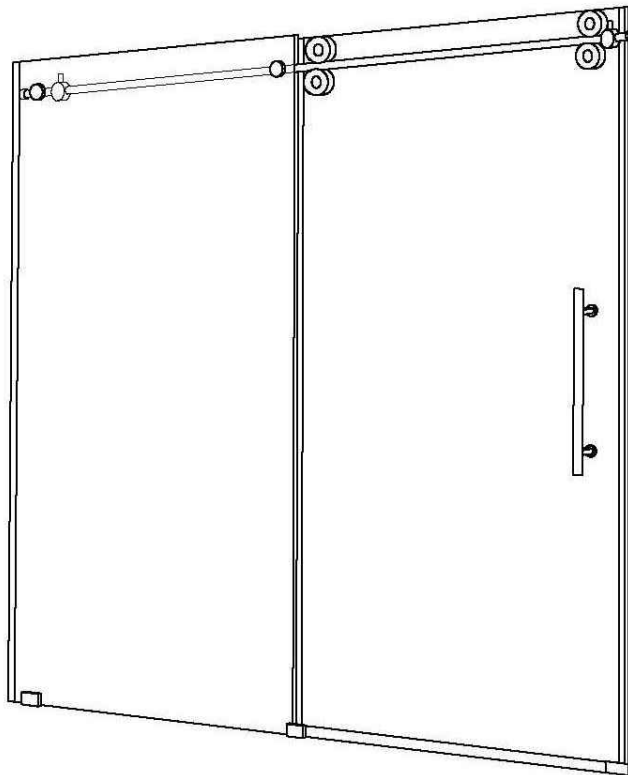


FIG. 14



VG06041 LEFT DOOR



VG06041 RIGHT DOOR

⚠ IMPORTANT

- WAIT 24 HOURS BEFORE USING SHOWER
- DO NOT ALLOW WATER TO DIRECTLY HIT DOOR SEAL STRIPS.

CLEANING INSTRUCTIONS FOR THE SHOWER CABIN AND DOOR PANEL

- A. Use mild liquid household cleaners to keep metal surface bright and clean. Rinse well and dry with a clean cloth.
- B. Remove dust with a soft, damp cloth.
- C. Use rubbing alcohol to clean and remove grease, oil, paint, and ink.
- D. Accidental scratches or stains will rarely show. If they do show, they can be easily removed with a liquid automobile polish.

⚠ IMPORTANT

- Do NOT use abrasive cleaners, scrapers, metal brushes, or any items/product that would scratch and/or dull surface.
- Do Not allow surface to come into contact with acetone (nail polish remover), dry cleaning solution, lacquer thinner, gasoline, or any other similar product.
- Make sure to regularly inspect your Vigo Brand shower enclosure and tighten any hardware that may have loosened during the use process. Vigo understands that your home is a moving entity and designs the Vigo Brand shower enclosure to adjust to your home needs. It is the responsibility of the home owner/end user to maintain the integrity of their new purchase. By regularly inspecting and tightening the hardware as needed their Vigo Brand shower enclosure will last for many years with perfect execution.

⊘ IMPORTANT

ROLLER ADJUSTMENTS TO ACCOMMODATE OUT OF SQUARE OPENINGS

NOTE: There is a 3/8" adjustment in the roller to use in the case that your walls are not plumb and level. Using an allen key, you will be able to adjust the roller to accommodate for the variance.

1. Loosen the hex screw to allow for movement. Then place the allen key in the small hex hole as shown and roll it to the right or left to make the adjustment. [See Fig.1]
2. Fig. 1A displays the 3 different positions.
3. If your walls are plumb and level, follow the configuration in Fig. 2.
4. In the case that your wall is off on the top, the rollers should be adjusted as shown in Fig. 3.
5. In the case that your wall is off on the bottom, the rollers should be adjusted as shown in Fig. 4.

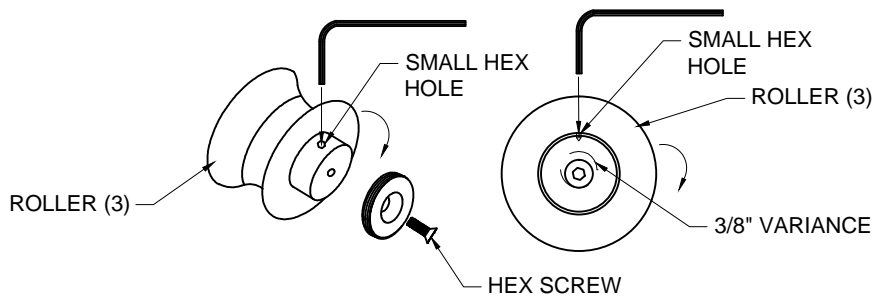


FIG. 1

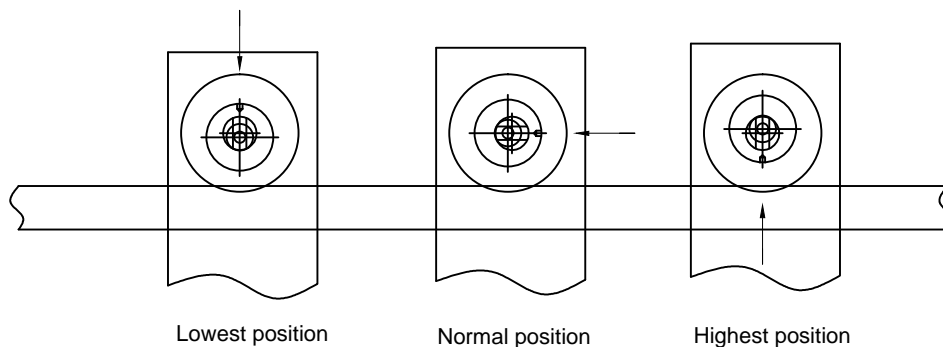
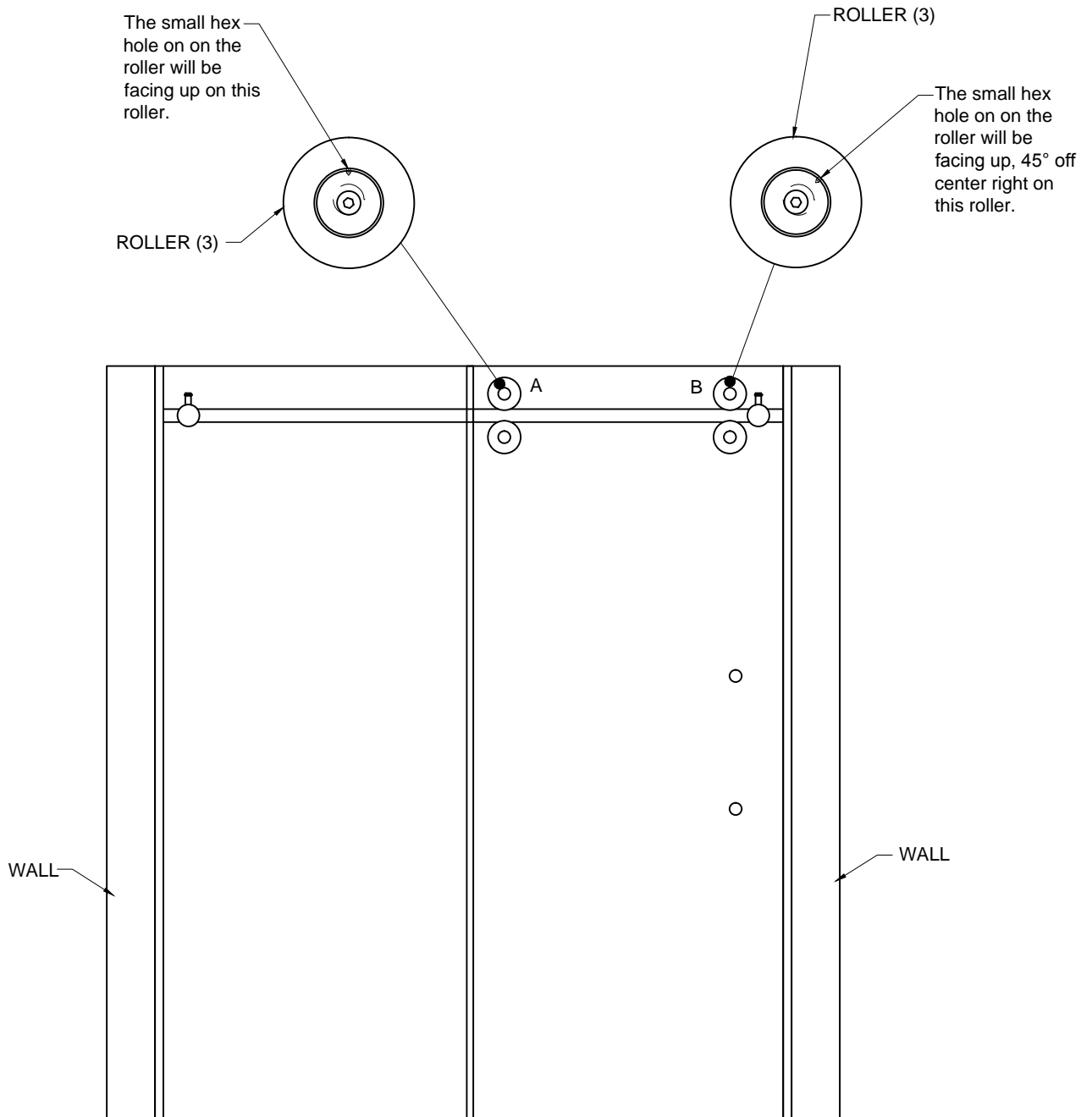


FIG. 1A

⊘ IMPORTANT

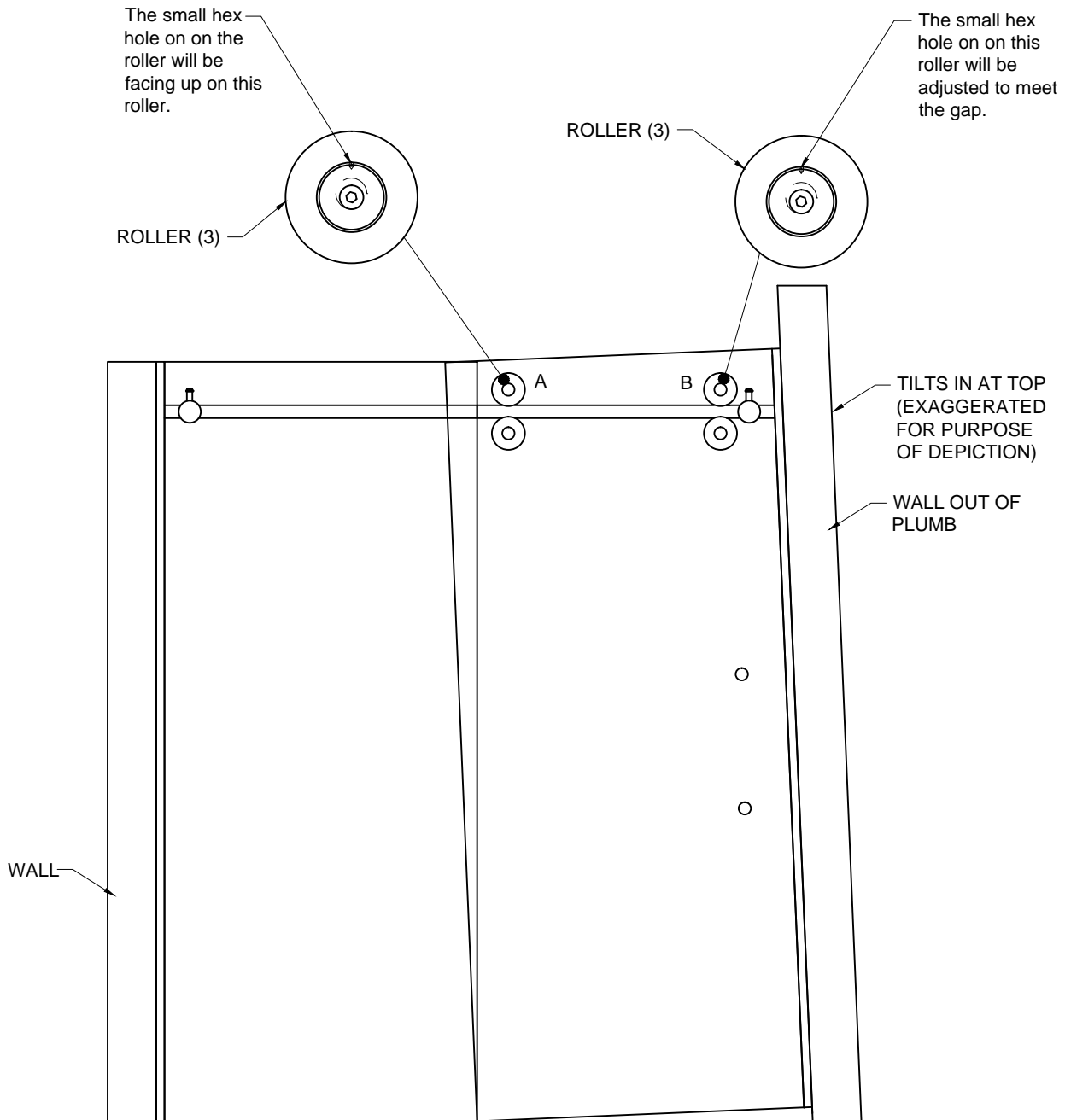
NOTE: These adjustments are approximate. You may need to adjust the direction of the small hex hole to meet your needs.



STRAIGHT WALLS

WALL DIRECTION	ROLLER "A" SMALL HEX HOLE DIRECTION	ROLLER "B" SMALL HEX HOLE DIRECTION
STRAIGHT WALL	UP	UP, 45° RIGHT

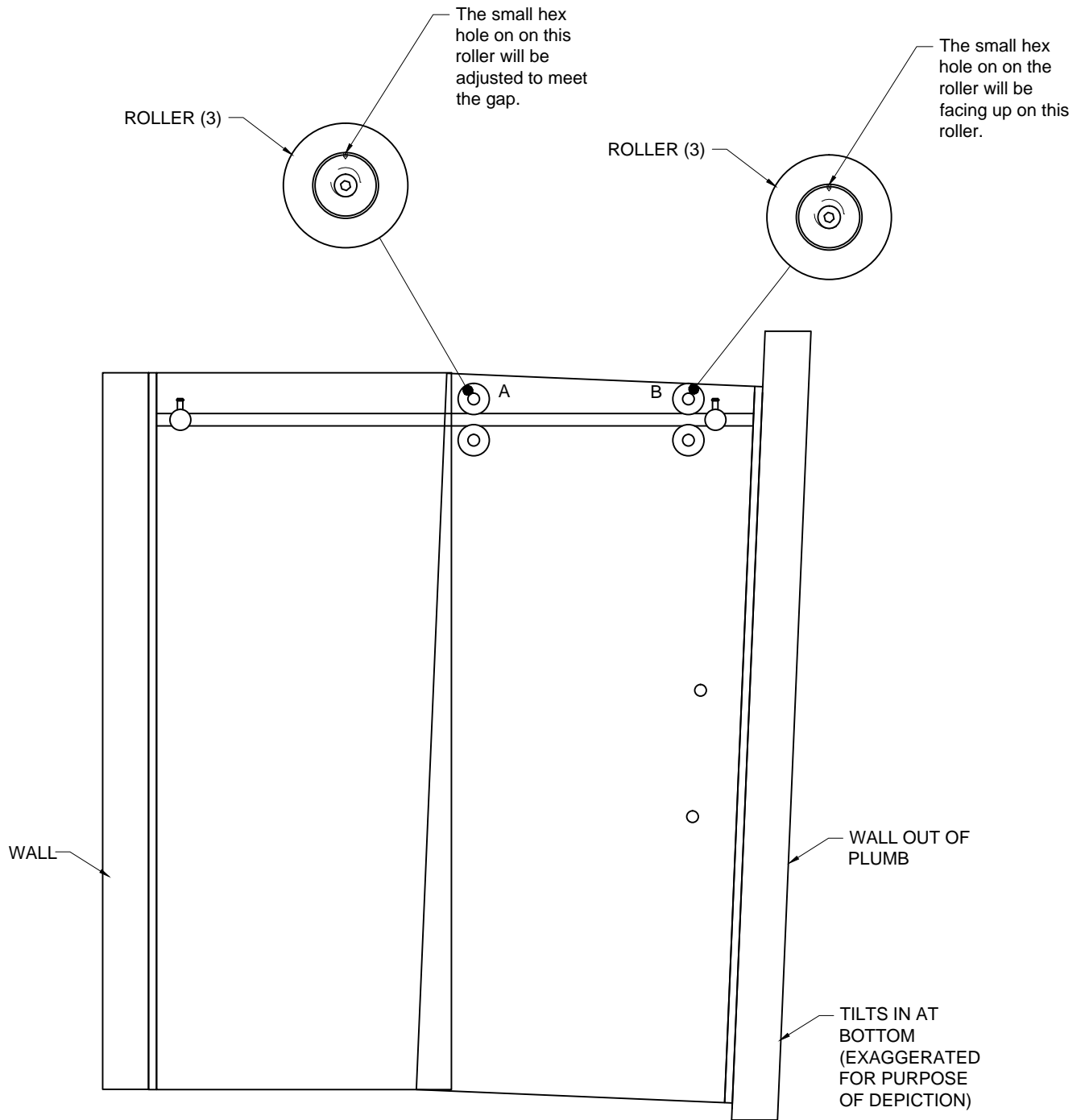
FIG. 2



TOP ANGLED WALL

WALL DIRECTION	ROLLER "A" SMALL HEX HOLE DIRECTION	ROLLER "B" SMALL HEX HOLE DIRECTION
TOP ANGLED	UP	ADJUST AS NEEDED

FIG. 3



BOTTOM ANGLED WALL

WALL DIRECTION	ROLLER "A" SMALL HEX HOLE DIRECTION	ROLLER "B" SMALL HEX HOLE DIRECTION
BOTTOM ANGLED	ADJUST AS NEEDED	UP

FIG. 4



VIGO INDUSTRIES, LLC ("VIGO")
SHOWER ENCLOSURE LIMITED LIFETIME WARRANTY

EFFECTIVE JANUARY 1, 2010

VIGO offers the following limited warranty on each of its Shower Enclosure products* (the "Product") and the components thereof. This warranty extends only to the original owner or end-user for personal household use. For commercial uses, additional limitations apply.

VIGO warrants the structural glass component of the Product to be free from defects in workmanship and materials under normal use and service for the period commencing from the initial date of purchase by the owner or end-user, contractor, or builder, from VIGO or an authorized VIGO dealer, through the lifetime of the original owner or end-user.

VIGO warrants the hardware components of the Product to be free from defects in workmanship and materials under normal use and service for a period of two (2) years from the initial date of purchase by the owner or end-user, contractor, or builder, from VIGO or an authorized VIGO dealer.

VIGO warrants the seal strip components of the Product to be free from defects in workmanship and materials under normal use and service for a period of one (1) year from the initial date of purchase by the owner or end-user, contractor, or builder, from VIGO or an authorized VIGO dealer.

Subject to the Warranty Service provision below, any product reported to the authorized dealer or to VIGO as being defective within the warranty period will be repaired or replaced (with a product of equal value) at the option of VIGO. This warranty extends to the original owner or end-user and is not transferable to a subsequent owner.

Neither the distributor, authorized VIGO dealer, nor any other person has been authorized to make any affirmation, representation, or warranty other than those contained in this warranty. Any affirmation, representation, or warranty other than those contained in this warranty shall not be enforceable against VIGO or any other person.

VIGO reserves the right to modify this warranty at any time, it being understood that such modifications will not alter the warranty conditions applicable at the time of sale of the products in question.

Limitations

This warranty shall not apply to instances of incorrect operating procedures, breakages, or damages caused by fault through improper installation, carelessness, abuse, misuse, misapplication, improper maintenance, or alteration of the Product, as well as chemical or natural corrosion, accident, fire, flood, an act of God, or any other casualty. Avoid abrasive cleaners, steel wools, and harsh chemicals as these will scratch, damage, and / or dull the product and / or finish and void this warranty. The owner/end-user of the Product covered by the present warranty is entirely responsible for its proper installation and any applicable plumbing or electrical wiring. VIGO neither installs nor supervises the installation nor hires a contractor for this purpose; consequently, VIGO cannot be held responsible for any default, breakage, or damages caused thereby or resulting thereof, either directly or indirectly.

The owner/end-user must provide access to the components of the Product as described in the installation guide so that VIGO can execute the warranty specified herein. If such access is not available, all expenses to provide said access will be the responsibility of the owner/end-user.

This warranty does not apply to Products that have not been installed or operated in accordance with instructions supplied by VIGO and all applicable rules, regulations, and legislation pertaining to such installations.

This warranty does not apply unless the VIGO Product is installed by fully insured licensed professionals. VIGO strongly recommends that such licensed professionals have experience in the installation of bathroom and kitchen products. Installation of certain products, including, without limitation, glass products (i.e., shower doors and glass sinks) by an inexperienced person may result in glass breakage and, consequently, cause personal injury or death.

VIGO is not liable for personal injuries or deaths to any persons or for any direct, special, incidental, or consequential damage, loss of time, loss of profits, inconvenience, incidental expenses, labor or material charges, or any other costs resulting from the use of the product or equipment or pertaining to the application of the present warranty, or resulting from the removal or replacement of any product or element or part covered by this warranty.

EXCEPT AS OTHERWISE PROVIDED ABOVE, VIGO MAKES NO WARRANTIES, EXPRESSED OR IMPLIED, INCLUDING WARRANTIES OF MERCHANTABILITY AND FITNESS FOR A PARTICULAR PURPOSE OR COMPLIANCE WITH ANY CODE.

In any case, VIGO cannot be held liable for any amount over and above the purchase price paid for the Product by the owner/end-user, contractor, or builder.

Commercial Limitations

In addition to the above conditions and limitations, the warranty period for products installed for commercial applications or used in commercial ventures is one (1) year from the initial date of purchase by the owner/end-user, contractor, or builder from an authorized dealer. VIGO is not responsible for loss of use or profit under any circumstances. If the product is used as a display, the warranty period begins when the product is placed on display. This warranty gives the owner/end-user specific legal rights. The owner/end-user may also have other rights which can vary from one state or province to another.

Warranty Service

In order to obtain service provided under this warranty during regular business hours, contact the dealer or distributor who sold the unit, or contact VIGO directly. VIGO will provide the warranty service described above when the following conditions have been met: the failure is of the nature or type covered by the warranty; the user has informed an authorized VIGO Agent or VIGO's warranty service department representative of the nature of the problem during the warranty period; conclusive evidence (e.g., proof of purchase or installation) is provided to the foregoing by the user proving that the failure occurred or was discovered within the warranty period; an authorized independent service person or company representative has been permitted to inspect the product during regular business hours within a reasonable time after the problem was reported by the user. VIGO's warranty obligation shall be discharged upon tender of replacement or repair. The customer's refusal to accept the tender terminates VIGO's warranty obligations.

*Certain models are pending approval.

Certification may be ended by VIGO or certification agencies without notice.