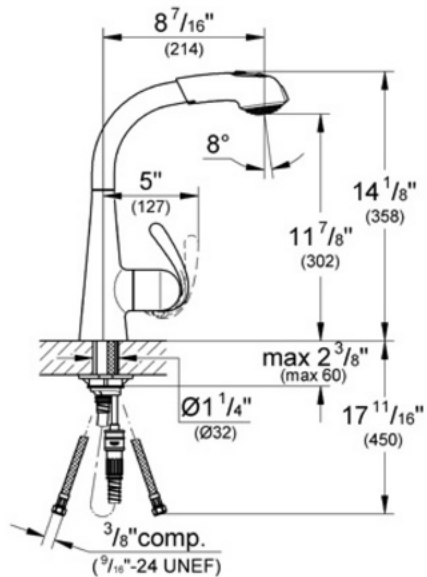


## 33 893 Main Sink Dual Spray Pull-Out



### Description

Grohe RealSteel® Stainless Steel Construction- produced from solid, Grade 304 stainless steel (SD0 only)  
000, DC0=Solid Brass Body  
GROHE SilkMove® Ceramic Cartridge  
SpeedClean® Anti-Lime System  
Locking Dual Spray Control-- switches back and forth between regular flow and spray  
Stainless Steel Braided Flexible Supplies  
Quick Installation System  
Single Lever Handle  
Forward Rotation Lever, does not hit backsplash  
8 7/16" Spout Reach



### Flow Rate

2.2 gpm at 45 psi, 2.5 gpm at 80 psi  
(9.5 lpm)

### Code Compliance

ASME/ANSI A112.18.1M  
ANSI/NSF Standard 61  
ADA Compliant

### Finish Options

33 893 000 Starlight® Chrome  
33 893 SD0 Stainless Steel  
33 893 DCO SuperSteel