
BERTAZZONI MASTER SERIES

30 INCHES XE



K36 PRO X
BS36 PRO X

A30 4 GGV XE gas range

Bertazzoni Master Series ranges: the ultimate cooking machine with italian finesse. Made in Italy with the maximum attention to styling and details, the Master Series will be the focal point in every kitchen, elegantly completing any décor from traditional to contemporary. Over a century of Bertazzoni engineering know-how ensures professional-grade performance thanks to the signature one-piece high-efficiency worktop, the large capacity gas convection oven and the full width infrared gas broiler. Bertazzoni Master Series, the perfect blend of power and passion.



THE COOKING MACHINE

BERTAZZONI
MASTER SERIES
 FREE-STANDING GAS RANGE
 30 INCHES XE

Range 30"
 A30 4 GGV XE
 4 burner

Gas oven	•
Gas grill	•
Safety device, one-hand ignition	•
Convection	•
Storage compartment	n/a
handrail for the worktop	n/a

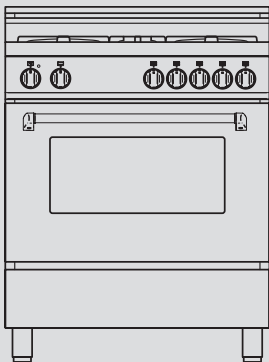
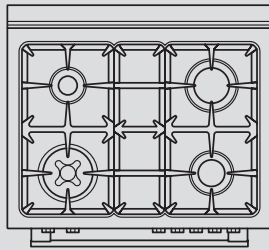
Dimensions

Width	30"
Depth side panel	24"
Total depth	25 1/8"
Height	35 1/2" + 37 1/4"
Oven	23 1/2" x 16 1/2" x 13"
Oven volume	2.9 ft ³

Burner power

Dual wok	12000 + 3000 Btu/h
Rapid	11000 Btu/h
Semi-rapid	6500 Btu/h
Auxiliary	3400 Btu/h
Simmer rate	750 Btu/h

Comes with a standard 4" Backguard.
 Optional 2" island raiser and flat island trim available.



BERTAZZONI
PROFESSIONAL SERIES
 BACKSPLASH 30 INCHES
 RANGE HOOD 30 INCHES

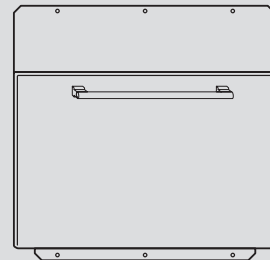
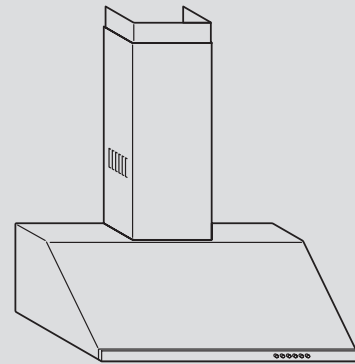
Range Hood
 30"
 K30 PRO X

Backsplash
 BS30 PRO X

Two motors	•	n/a
Electronic control	•	n/a
Halogen lights	•	n/a
Mesh filters	•	n/a
Utensil bar	n/a	•

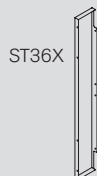
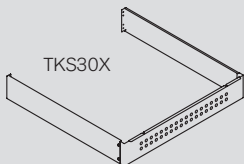
Dimensions

Width	30"	30"
Depth	19"	21 1/2"
Height	min.33 1/2" max.47 1/2"	n/a
Motor power	600 cfm	n/a
Thickness	n/a	3/4"
Hood adjustment	n/a	6"



ACCESSORIES

30" Toekick panel (TKS30X), 30" Side Trims Set (ST36X), 30" Telescopic slide shelf (TG30X), 2" Island Raiser (IR30X), Cast iron griddle plate (C I PAN).



For stand alone installation

