

---

# BERTAZZONI PROFESSIONAL SERIES

## 48" CANOPY HOOD KU48 PRO 1 X



The single-motor canopy hoods deliver extraction power up to 600 CFM with three different power settings. They come equipped with aluminum mesh filters or optional baffle filters, all easily removable and dishwasher safe. They can be installed under a cabinet or on the wall with an optional narrow or wide duct cover. The design matches Bertazzoni Professional Series ranges and cooktops while also complementing other Bertazzoni Series.

### SINGLE MOTOR CANOPY



Single motor canopy hood shown with optional narrow duct cover. Full-size duct cover is also available.



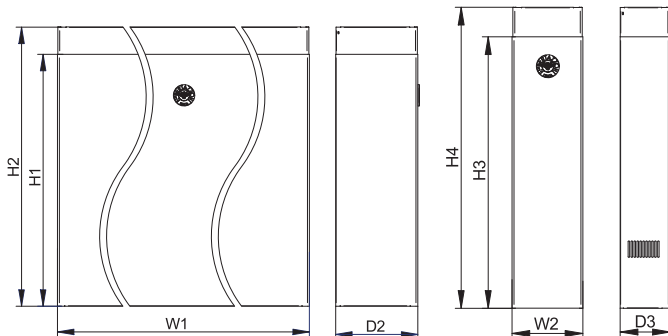
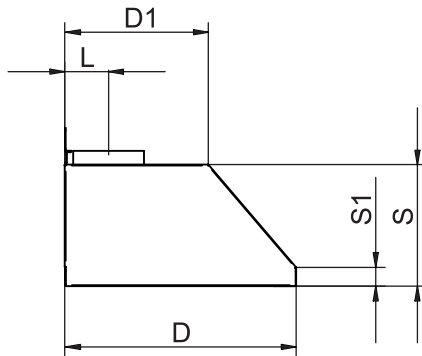
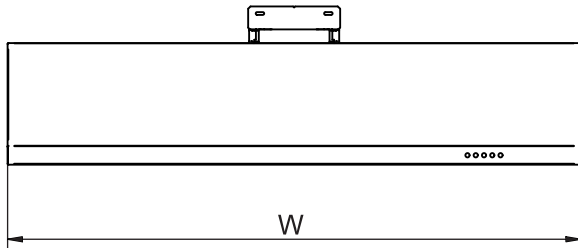
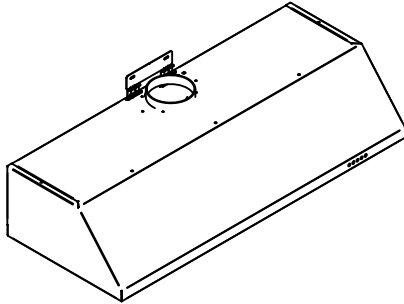
TO COOK BEAUTIFULLY

# BERTAZZONI PROFESSIONAL SERIES

## 48" CANOPY HOOD KU48 PRO 1 X

### FEATURES

Motor	3 speeds
Halogen lights	2
Filters	aluminium mesh
Motor power	600 cfm



### TECHNICAL SPECIFICATIONS

Electrical Requirements	120V 60Hz
Max. Amp Usage	3.3 Amp
Certification	CSA
Warranty	2 years parts and labor
Electronic control	1
Product weight	44.1 lbs
Box weight	47.1 lbs

### ACCESSORIES

Recirculation Kit	code 901154
Narrow duct cover	code 901262
Full size duct cover	code 901261
Duct cover for ceiling height 8-10 ft	code 901281
European Baffle Filter - 3 filters (optional)	code 901253

This model is not suited for recirculation

### DIMENSIONS

Ref.	Description	Dimensions	
		Inches	mm
D	Hood max depth	19 <sup>5</sup> / <sub>16</sub>	490
D1	Hood min depth	12	305
L	Duct cover depth	3 <sup>11</sup> / <sub>16</sub>	93
S	Max body hood height	10 <sup>1</sup> / <sub>8</sub>	275
S1	Hood control panel height	1 <sup>9</sup> / <sub>16</sub>	40
W	Hood width	47 <sup>13</sup> / <sub>16</sub>	1214
W1	Full size duct cover width	47 <sup>13</sup> / <sub>16</sub>	1214
D2	Full size duct cover depth	11 <sup>13</sup> / <sub>16</sub>	300
H1	Full size duct cover min height	36 <sup>1</sup> / <sub>4</sub>	920
H2	Full size duct cover max height	72 <sup>1</sup> / <sub>2</sub>	1842
W2	Narrow duct cover width	9 <sup>7</sup> / <sub>16</sub>	240
D3	Narrow duct cover depth	6 <sup>11</sup> / <sub>16</sub>	170
H3	Narrow duct cover min height	36 <sup>1</sup> / <sub>4</sub>	920
H4	Narrow duct cover max height	72 <sup>1</sup> / <sub>2</sub>	1842

### INSTALLATION INSTRUCTIONS

Bertazzoni recommends to operate the appliance after it has been properly installed. Please refer to the installation manual for further details.