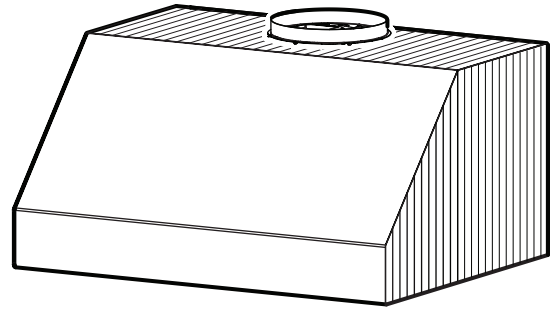


### EPD61 SERIES RANGE HOOD



Especially designed to be installed outdoors in a covered patio or lanai area. For use over residential commercial-style cooking surfaces or gas and electric grills. This unit is not for use with a charcoal grill. A complete installation requires several optional components. Refer to page 2 when planning your installation.

#### FEATURES

- Professional outdoor design.
- 27" depth handles heat and size of outdoor grills. (optional 3" wall extension to increase depth to 30").
- Brushed corrosion resistant 304 Stainless Steel.
- Two widths: 36" and 48".
- Powerful, 1100 CFM internal blower - tested to assure operation in corrosive environments.
- Bright halogen lighting (2 x 50 watt GU10 for 36" hood, 3 x 50 watt GU10 for 48" hood) (bulbs not included).
- 3-speed rotary control - tested to assure operation in corrosive environments.
- 304 Stainless Steel baffle filters - easily accessible and dishwasher-safe.
- Removable grease tray - easy to clean.
- Heat Sentry™ detects excessive heat and adjusts blower speed automatically.
- UL Listed for use in damp locations when properly connected to a GFCI circuit.

#### SPECIFICATIONS

VOLTS	HZ	AMPS	CFM	SONES	DUCT
120	60	9.0 MAX.	1100	11.0	10" ROUND



HVI-2100 CERTIFIED RATINGS comply with new testing technologies and procedures prescribed by the Home Ventilating Institute, for off-the-shelf products, as they are available to consumers. Product performance is rated at 0.1 in. static pressure, based on tests conducted in a state-of-the-art test laboratory. Sones are a measure of humanly-perceived loudness, based on laboratory measurements.

#### WALL EXTENSION (optional)

- Extends front of hood out an extra 3" (to 30") - eliminates custom wall bump-outs.
- Stainless Steel construction - matches range hood.
- Attaches to wall and back of range hood.

Model AWEPD36SS - 36" width

Model AWEPD48SS - 48" width

#### FLUE COVER (optional)

- Stainless Steel construction - matches range hood.
- Attaches to top of range hood shell.
- Hides ducting and wipes clean easily.
- Extended depth available for hoods using the 3" wall extension.

Model AEEPDP6SS - 6" high - for 8-ft. ceiling - standard depth

Model AEEPDP6SSE - 6" high - for 8-ft. ceiling - extended depth

Model AEEPDP18SS - 18" high - for 9-ft. ceiling - standard depth

Model AEEPDP18SSE - 18" high - for 9-ft. ceiling - extended depth

Model AEEPDP30SS - 30" high - for 10-ft. ceiling - standard depth

Model AEEPDP30SSE - 30" high - for 10-ft. ceiling - extended depth

Model AEEPDP2445SS - collapsed height: 24" - maximum height 45" - standard depth

Model AEEPDP2445SSE - collapsed height: 24" - maximum height 45" - extended depth

Broan-NuTone LLC Hartford, Wisconsin www.broan.com 800-558-1711  
Broan-NuTone Canada Mississauga, Ontario www.broan.ca 877-896-1119

REFERENCE	QTY.	REMARKS	Project	
			Location	
			Architect	
			Engineer	
			Contractor	
			Submitted by	Date

