

Viking Installation Guide



Viking Range Corporation

111 Front Street

Greenwood, Mississippi 38930 USA

(662) 455-1200

For product information,

call 1-888-VIKING1 (845-4641)

or visit the Viking Web site at

vikingrange.com

PHKDFSB5/PHKDFBB Professional Series Handle Kit

For Use with DFSB5, DFBB5 and DFBB Built-In Full Overlay Refrigerators

IMPORTANT—Please Read and Follow!

- Before beginning, please read these instructions completely and carefully.
- Use caution during assembly to minimize scratches.
- Do not remove permanently affixed labels, warnings or plates from the product. This may void the warranty.
- Please refer to the DFSB5, DFBB5 or DFBB Installation Instructions for more information on installing the refrigerator door panel.
- **The installer should leave instructions with the customer who should retain for local inspector's use and future reference.**

Installation with Wooden Full Overlay Custom Door Front

Parts Included

Part	Quantity
Professional Series Handle Tubes	(2)
Professional Series End Caps	(4)
1/4" x 1" Phillips Head Screws	(8)
Installation Instructions	

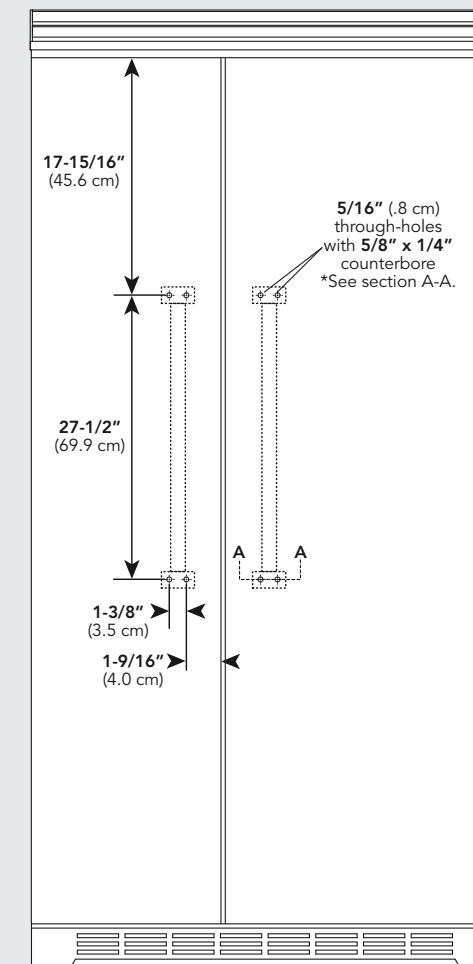
Required Tools

- Electric Drill
- 5/16" (.8 cm) Drill Bit
- 5/8" (1.6 cm) Spade or Forstner Bit (Counterbore)
- Tape Measure
- Phillips Head Screwdriver
- Masking Tape and Pencil
- Rubber Mallet

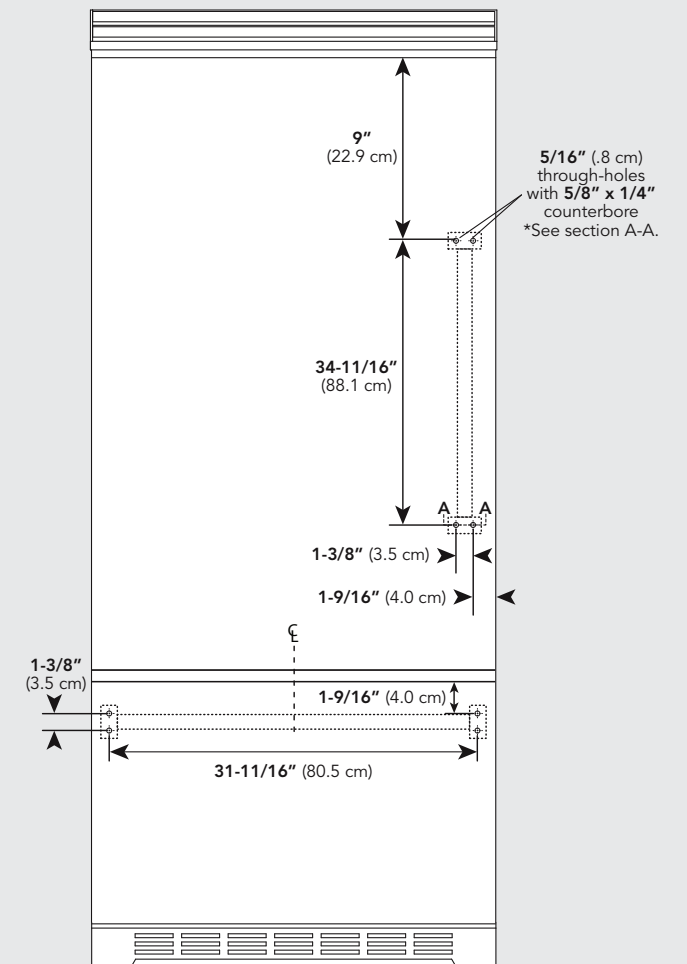
To Install:

1. Locate the wooden custom panel.
2. Using the illustrations on the next page, layout the handle location on the panels. It is recommended that masking tape be placed where the four holes will be drilled to help mark the hole placement and to prevent any damage to the door when drilling the holes.
3. Each Professional Series handle will be mounted using (4) of the 1/4" x 1" Phillips head screws provided. Using the 5/16"(.8 cm) drill bit, drill completely through the door in the hole locations. Using the 5/8" (1.6 cm) bit, counter-bore two holes 1/4" (.6 cm) deep on the **BACKSIDE** of the custom door panel.
4. Place a handle end cap on both ends of the handle tube. Tap the endcaps firmly into place with a rubber mallet ensuring that both endcaps mounting surfaces are parallel.
5. Align the holes in the endcaps with the holes on the panel and attach the Professional handle to the panel using the (4) 1/4" (.6cm) screws provided.
6. Repeat steps 1 - 4 to attach other handle.

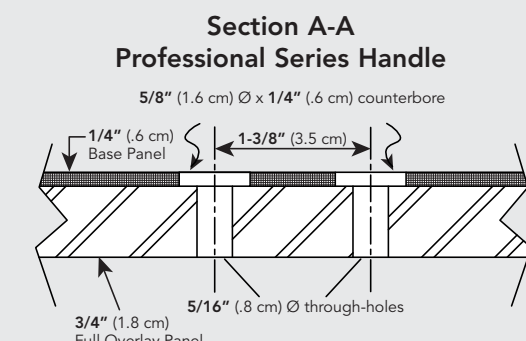
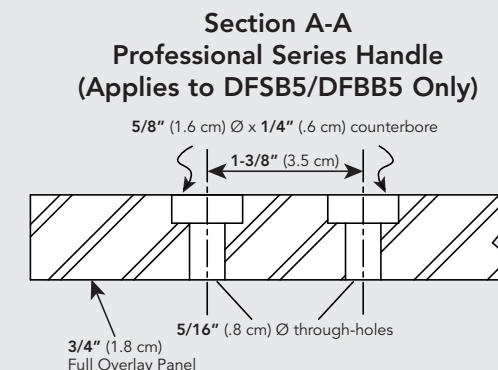
Handle Installation



Custom Door
DFSB5 Side-by-Side (Front View)
Professional Series Handle



Custom Door
DFBB5/DFBB Bottom Mount (Front View)
Professional Series Handle



Specifications subject to change without notice.