



# Installation Instructions

## Advantium® 120V Built-In SpeedCook Ovens

PSB9120  
ZSC1201  
ZSC1202

49-40741  
MFL59060917  
12-14 GE



MFL59060917



# Safety Information

## BEFORE YOU BEGIN

Read these instructions completely and carefully.

**IMPORTANT** – Save these instructions for local inspector’s use.

**IMPORTANT** – Observe all governing codes and ordinances.

- **Note to Installer** – Be sure to leave these instructions with the Consumer.
- **Note to Consumer** – Keep these instructions with your Owner’s Manual for future reference.
- **Skill Level** – Installation of this appliance requires basic mechanical and electrical skills.
- **Completion Time – 1 Hour.**
- Proper installation is the responsibility of the installer. Product failure due to improper installation is not covered under the warranty. See Owner’s Manual for warranty information.

**NOTE:** This oven is only approved to be installed under the specific models as labeled on this unit.

**IMPORTANT** – Use this oven only for its intended purpose. Never use the oven for warming or heating a room. Prolonged use of the oven without proper ventilation can be hazardous.

### ⚠ CAUTION:

For personal safety, remove house fuse or oven circuit breaker before beginning installation to avoid severe or fatal shock injury.

### ⚠ CAUTION:

For personal safety, the mounting surface must be capable of supporting the cabinet load, in addition to the added weight of the 80-pound oven and 30-pound drawer, plus additional oven loads of up to 50 pounds or a total weight of up to 160 pounds.

### ⚠ CAUTION:

If installing the Advantium 120V Oven below 36”, you must use the **plastic** bottom trim due to burn risk to children. The plastic trim acts as insulation and will help prevent burns to children from hot surfaces.

### ⚠ CAUTION:

If installing the Advantium 120V Oven below 36”, do not remove the plastic door trim due to burn risk to children. The plastic trim acts as insulation and will help prevent burns to children from hot surfaces.

## CONTENTS

### Design Information

Models Available.....	2
Product Dimensions and Clearances .....	4
Tools and Parts Required .....	4
Parts Supplied.....	4
Advance Planning.....	4

### Installation Preparation

Electrical Requirements .....	5
Preparing the Opening (Installation without an accessory storage drawer).....	6-9
Preparing the Opening (Installation with an accessory storage drawer).....	10-13
Installation Under a 36” Cooktop.....	13

### Installation Instructions

Step 1, Remove Packaging and Parts.....	14
Step 2, Door Trim Removal for above 36” Installation only .....	15
Step 3, Slide the Oven into the Cutout.....	15
Step 4, Install Bottom Trim .....	16
Step 5, Install Bottom Trim with Accessory Drawer .....	16
Step 6, Install Mounting Screws.....	16
Step 7, Finalize Installation.....	16

## MODELS AVAILABLE

### Profile Models:

- PSB9120WW-White\*
- PSB9120BB-Black
- PSB9120SS-Stainless Steel

### Monogram Models:

- ZSC1201SS-Stainless Steel
- ZSC1202SS-Stainless Steel\*\*

\*No color-matched drawer available for this model.

\*\*This unit cannot be installed with an accessory storage drawer.

# Información de seguridad

## ANTES DE COMENZAR

Lea estas instrucciones por completo y con detenimiento.

**IMPORTANTE** — Guarde estas instrucciones para el uso de inspectores locales.

**IMPORTANTE** — Cumpla con todos los códigos y ordenanzas vigentes.

- **Nota al instalador** — Asegúrese de dejar estas instrucciones con el Consumidor.
- **Nota al consumidor** — Mantenga estas instrucciones con el Manual del Propietario para referencia futura.
- **Nivel de capacidad** — La instalación de este aparato requiere capacidades mecánicas y eléctricas básicas.
- **Tiempo de finalización — 1 hora.**
- El instalador tiene la responsabilidad de efectuar una instalación adecuada. La Garantía no cubre las fallas del producto debido a una instalación incorrecta. Ver el Manual del Propietario para información sobre la garantía.

**NOTA:** Este horno sólo puede instalarse debajo de los modelos específicos como se indica en la etiqueta de esta unidad.

**IMPORTANTE** — Utilice este horno sólo con el objetivo para el que fue creado. Nunca use el horno para entibiar o calentar una habitación. El uso prolongado del horno sin una ventilación adecuada puede resultar peligroso.

### **⚠ PRECAUCIÓN:**

Para seguridad personal, quite el fusible o el interruptor de circuitos de la vivienda antes de comenzar la instalación a fin de evitar una lesión grave o fatal.

### **⚠ PRECAUCIÓN:**

Para seguridad personal, la superficie de montaje debe poder soportar la carga del gabinete, además de las 80 libras del horno y las 30 libras del cajón, más las cargas adicionales del horno de hasta 50 libras o un peso total de hasta 160 libras.

### **⚠ PRECAUCIÓN:**

Si va a instalar el horno Advantium de 120V debajo de 36", usted debe utilizar el reborde inferior **plástico** debido al riesgo de quemaduras para los niños. El reborde plástico actúa como aislante y evitará que los niños sufran quemaduras provocadas por las superficies calientes.

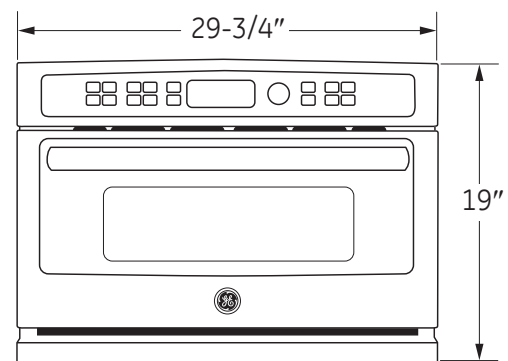
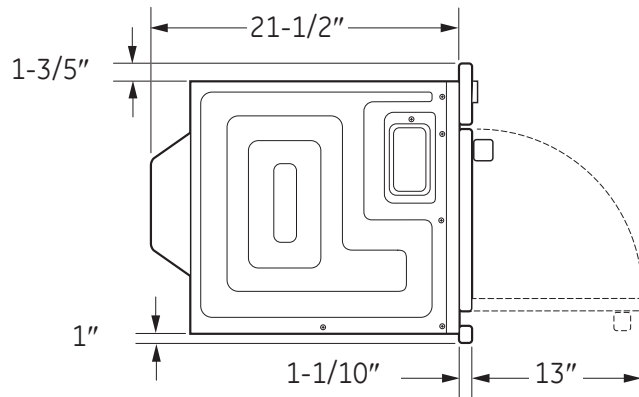
### **⚠ PRECAUCIÓN:**

Si va a instalar el horno Advantium de 120V debajo de 36", usted no debe quitar el reborde plástico de la puerta debido al riesgo de quemaduras para los niños. El reborde plástico actúa como aislante y evitará que los niños sufran quemaduras provocadas por las superficies calientes.

# Design Information

## PRODUCT DIMENSIONS AND CLEARANCES

NOTE: Appearance will vary by model.



## TOOLS AND PARTS REQUIRED

### (NOT SUPPLIED)

- #2 Phillips screwdriver
- Hand-held drill
- High speed drill bit, 3/32" diameter
- 3/8" slot-head screwdriver
- Level
- Saw
- 2 x 4 or 2 x 2 lumber for installing runners or 3/8" plywood for floor (if required)
- Wood screws or other hardware for installing runner or shelf to support oven (if required)
- Safety glasses or goggles

## PARTS SUPPLIED

- 6 screws (3 required, 3 extra)
- 5 color-matched screws (4 required, 1 extra)
- Bottom trim (2)

## ADVANCE PLANNING

- These ovens may be installed directly into a 30" wide oven cabinet.
- Cutout dimensions are NOT the same for installation with or without an accessory storage drawer. Make sure to use the correct cutout when preparing the opening.
- **NOTE:** ZSC1202 models CANNOT be installed with an accessory storage drawer. See Installation Preparation Without an Accessory Storage Drawer for this model.
- Allow for clearance to adjacent corners, walls, drawers, etc.

The oven must be securely installed in a cabinet that is firmly attached to the house structure. Weight on the oven door could cause the oven to tip and result in injury. Never allow anyone to climb, sit, stand or hang on the oven door.

If installing the drawer accessory, the drawer must be assembled to the oven prior to installation into the cabinet. See the *Accessory Storage Drawer Assembly Instructions*.

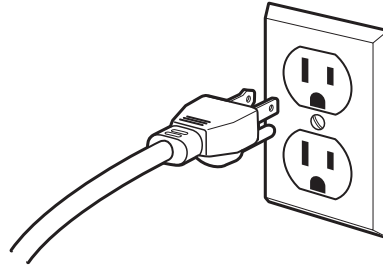
# Installation Preparation

## ELECTRICAL REQUIREMENTS

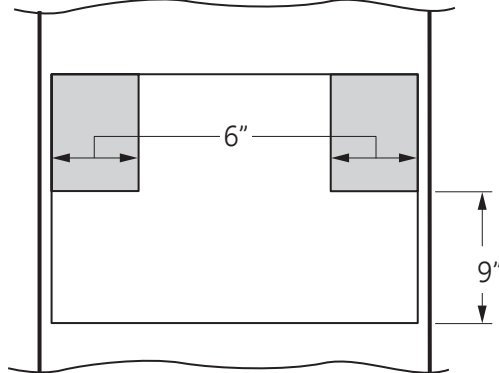
### Single Advantium 120 Installation:

This product requires a 120-volt, 60 Hz, 15-amp circuit and draws 1.8 kilowatts. This product must be connected to a supply circuit of the proper voltage and frequency.

- Wire size must conform to the requirements of the National Electrical Code or the prevailing local code for this kilowatt rating.
- The power supply cord and plug should be brought to a separate 15 or 20 ampere branch circuit single grounded receptacle. The outlet box should be located within reach of the 48" power cord.



## ELECTRICAL LOCATION



Locate outlet box in the shaded area

Install a recessed electrical outlet in the back wall of the opening within 6" of either side and at least 9" above the cutout floor.

## GROUNDING INSTRUCTIONS

This appliance must be grounded. In the event of an electrical short circuit, grounding reduces the risk of electric shock by providing an escape wire for electric current. This appliance is equipped with a cord having a grounding wire with a grounding plug. The plug must be plugged into an outlet that is properly installed and grounded.

**⚠ WARNING:** Improper use of the grounding plug can result in a risk of electric shock.

**⚠ ¡ADVERTENCIA!** El uso inadecuado del enchufe de conexión a tierra puede provocar un riesgo de descarga eléctrica.

### Important: (Please read carefully).

The power cord of this appliance is equipped with a three-prong (grounding) plug that mates with a standard three-prong grounding wall receptacle to minimize the possibility of electric shock. Consult a qualified electrician or serviceman if the grounding instructions are not completely understood, or if doubt exists as to whether the appliance is properly grounded.

- Where a standard two-prong wall receptacle is encountered, it is the personal responsibility and obligation of the consumer to have it replaced with a properly grounded three-prong wall receptacle.

Do not, under any circumstances, cut or remove the third (ground) prong from the power cord.

**DO NOT USE AN EXTENSION CORD.** If the power supply cord is too short, have a qualified electrician or serviceman install an outlet near the appliance.

# Installation Preparation

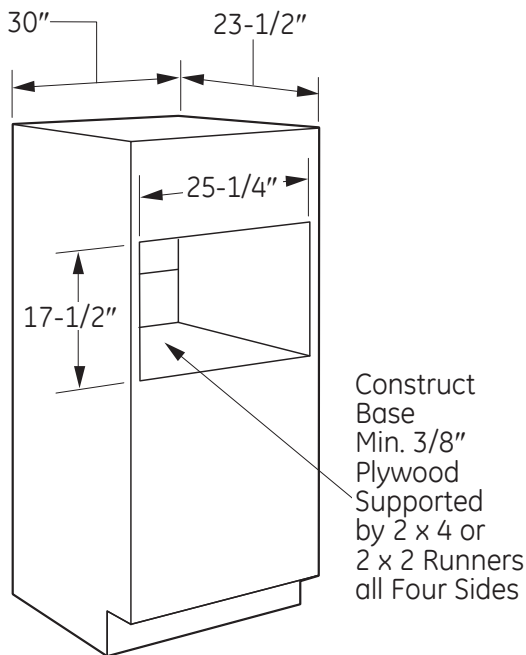
## Preparation WITHOUT an Accessory Storage Drawer

### PREPARE THE OPENING

The Advantium 120V can be installed in combination with other GE/Monogram appliances. Always follow each product's Installation Instructions to complete the installation.

#### Single Advantium 120V Installation:

Order a 30" wide single oven cabinet or cut the opening in a wall to the dimensions shown.



- Allow 2-1/8" case trim overlap on the sides, 1-1/16" overlap on the top and 7/8" overlap on the bottom of the opening for all models.
- Oven overlaps will conceal cut edges on all sides of the opening.

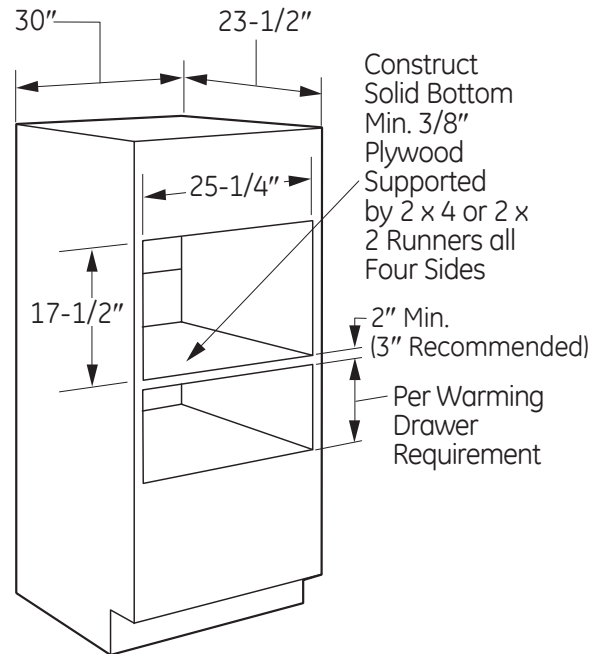
When installed over a single oven or a warming drawer, allow at least 2" between the two openings. This separation will provide clearance for bottom overlap of the Advantium 120V and the other appliance overlaps.

Construct a solid oven floor of 3/8" min. thick plywood supported by 2 x 4 or 2 x 2 runners on all sides.

- The support must be level and rigidly mounted, flush with the bottom edge of the cutout.

### PREPARE THE OPENING (cont.)

#### Installation over a GE/Monogram Warming Drawer:



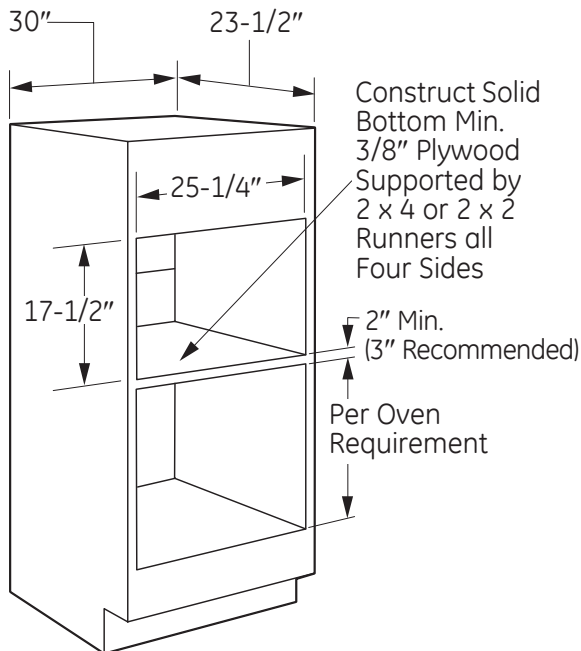
**NOTE:** Additional clearances between the cutouts may be required. Check to be sure the oven supports above the Warming Drawer location do not obstruct the required interior depth and height. See Warming Drawer installation instructions for details.

# Installation Preparation

## Preparation WITHOUT an Accessory Storage Drawer

### PREPARE THE OPENING (cont.)

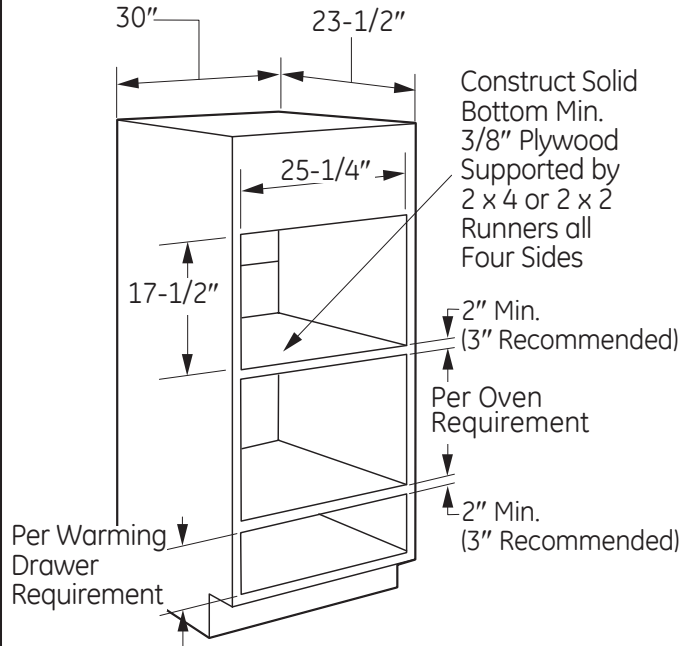
Installation over a GE/Monogram oven:



- If you are replacing a GE/Monogram electric double oven with the combined installation of an Advantium 120V and a single oven, use the dimensions shown. The middle rail separating the two openings may need to be larger than the 2" minimum shown.

### PREPARE THE OPENING (cont.)

Installation over a GE/Monogram Oven and Warming Drawer:



**NOTE:** Additional clearances between the cutouts may be required. Check to be sure the oven supports above the Warming Drawer location do not obstruct the required interior depth and height. See Warming Drawer installation instructions for details.

**⚠ CAUTION:** For personal safety, the mounting surface must be capable of supporting the cabinet load, in addition to the added weight of this approximate 80-pound oven, plus additional oven loads of up to 50 pounds or a total weight of 130 pounds.

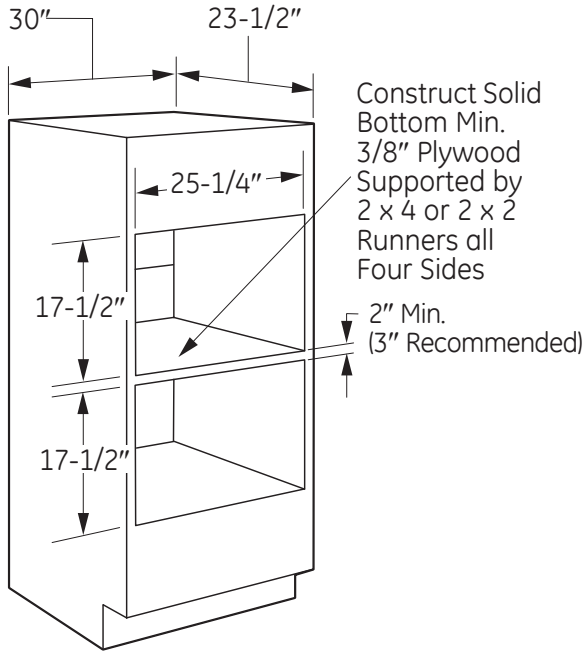
**⚠ PRECAUCIÓN:** Para seguridad personal, la superficie de montaje debe poder soportar la carga del gabinete, además del peso aproximado de 80 libras del horno, más las cargas adicionales del horno de hasta 50 libras o un peso total de hasta 130 libras.

# Installation Preparation

## Preparation WITHOUT an Accessory Storage Drawer

### PREPARE THE OPENING (cont.)

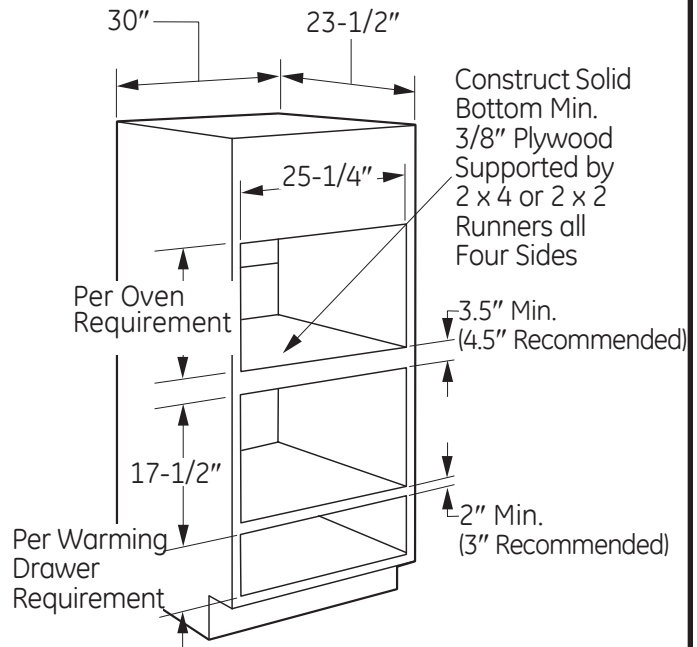
Installation over another GE/Monogram Under-the-Counter (UTC) oven:



- If you are mounting an Under-the-Counter GE/Monogram oven over another, use the dimensions shown. The middle rail separating the two openings may need to be larger than the 2" minimum shown.

### PREPARE THE OPENING (cont.)

Installation under a GE/Monogram Microwave Oven and over a Warming Drawer:



**NOTE:** Additional clearances between the cutouts may be required. Check to be sure the oven supports above the Warming Drawer location do not obstruct the required interior depth and height. See Warming Drawer installation instructions for details.

**⚠ CAUTION:** For personal safety, the mounting surface must be capable of supporting the cabinet load, in addition to the added weight of this approximate 80-pound oven, plus additional oven loads of up to 50 pounds or a total weight of 130 pounds.

**⚠ PRECAUCIÓN:** Para seguridad personal, la superficie de montaje debe poder soportar la carga del gabinete, además del peso aproximado de 80 libras del horno, más las cargas adicionales del horno de hasta 50 libras o un peso total de hasta 130 libras.



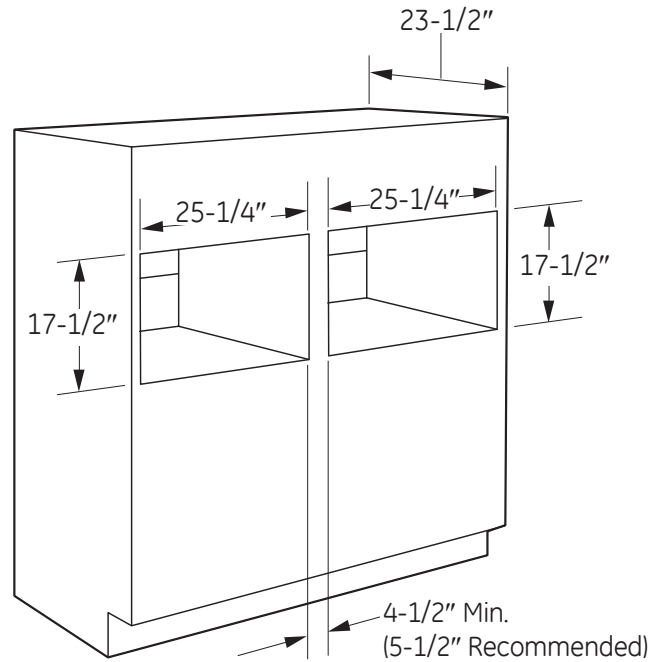
# Installation Preparation

## Preparation WITHOUT an Accessory Storage Drawer

### PREPARE THE OPENING (cont.)

#### Installation beside another GE/Monogram Built-in Speedcook Oven:

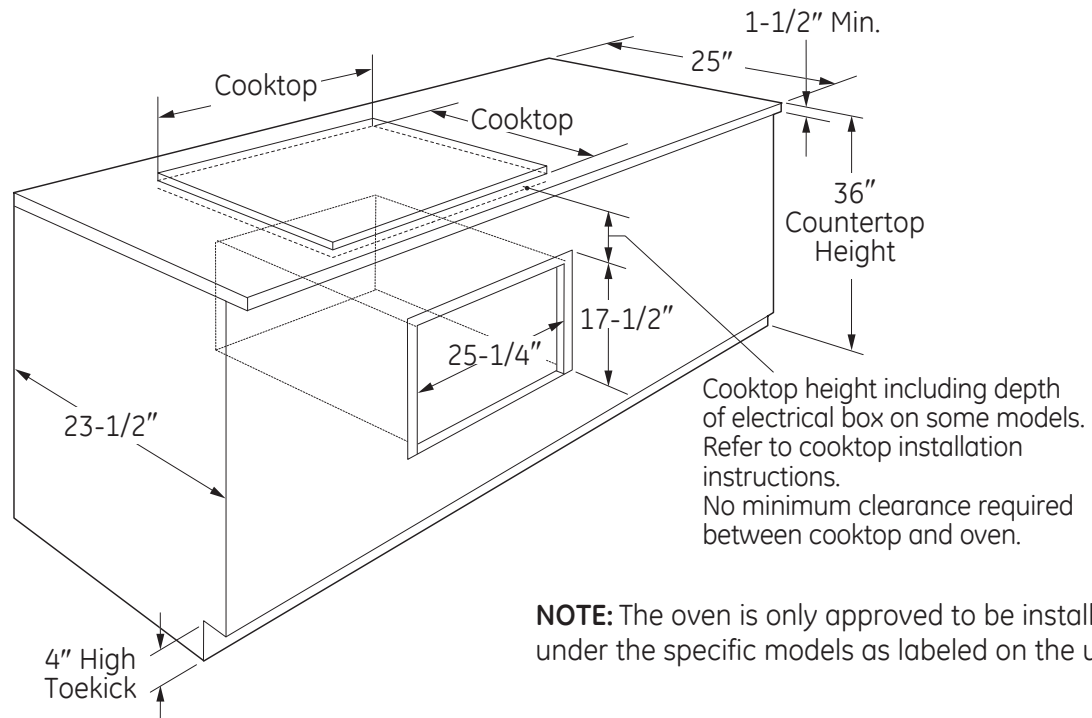
- If you are mounting one Under-the-Counter GE/Monogram oven beside the other, use the dimensions shown. The middle rail separating the two openings may need to be larger than the 4-1/2" minimum shown.



### PREPARE THE OPENING (cont.)

#### Installation under a GE/Monogram 30" or 36" Cooktop or Countertop:

Gas or electric cooktops may be installed over this oven. See cooktop installation instructions for the cutout size. See the label on top of the oven for approved cooktop models. This oven requires a separate, properly grounded 15-Amp, 120-Volt, 60Hz power supply. The cooktop requires a separate power supply. Use a 36" or wider base cabinet.



**NOTE:** The oven is only approved to be installed under the specific models as labeled on the unit.

# Installation Preparation

## Preparation WITH an Accessory Storage Drawer

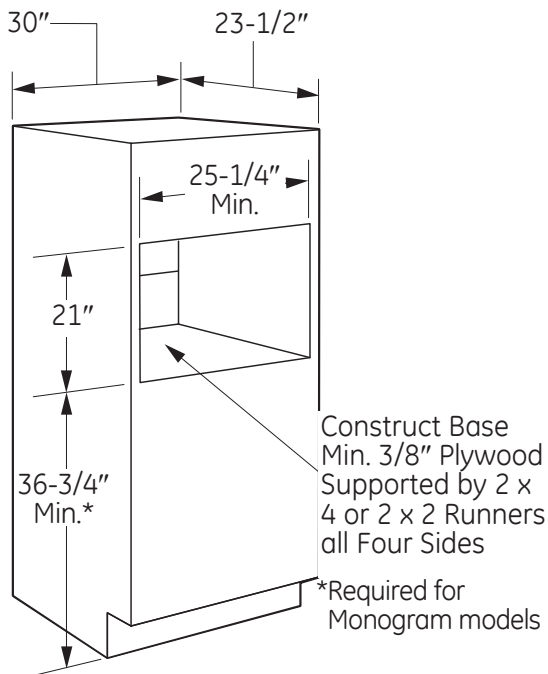
NOTE: MODEL ZSC1201 CAN ONLY BE INSTALLED WITH AN ACCESSORY STORAGE DRAWER IF INSTALLED ABOVE 36-3/4".  
 MODEL ZSC1202 CANNOT BE INSTALLED WITH AN ACCESSORY STORAGE DRAWER. SEE INSTALLATION PREPARATION WITHOUT AN ACCESSORY STORAGE DRAWER FOR THIS MODEL.

### PREPARE THE OPENING (cont.)

The Advantium 120V can be installed in combination with other GE/Monogram appliances. Always follow each product's Installation Instructions to complete the installation.

#### Single Advantium 120V Installation:

Order a 30" wide single oven cabinet or cut the opening in a wall to the dimensions shown.



- Allow 2-1/8" case trim overlap on the sides, 1-1/16" overlap on the top and 7/8" overlap on the bottom of the opening for all models.
- Oven overlaps will conceal cut edges on all sides of the opening.

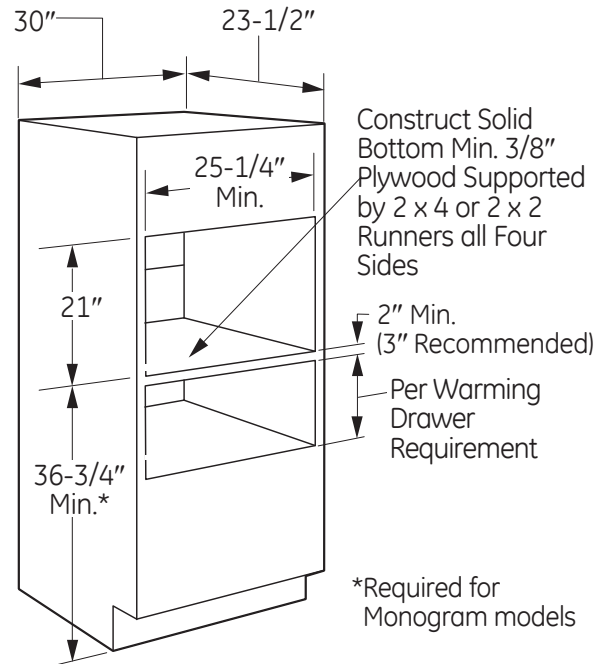
When installed over a single oven or a warming drawer, allow at least 2" between the two openings. This separation will provide clearance for bottom overlap of the Advantium 120V and the other appliance overlaps.

Construct a solid oven floor of 3/8" min. thick plywood supported by 2 x 4 or 2 x 2 runners on all sides.

- The support must be level and rigidly mounted, flush with the bottom edge of the cutout.

### PREPARE THE OPENING (cont.)

#### Installation over a GE/Monogram Warming Drawer:



**NOTE:** Additional clearances between the cutouts may be required. Check to be sure the oven supports above the Warming Drawer location do not obstruct the required interior depth and height. See Warming Drawer installation instructions for details.

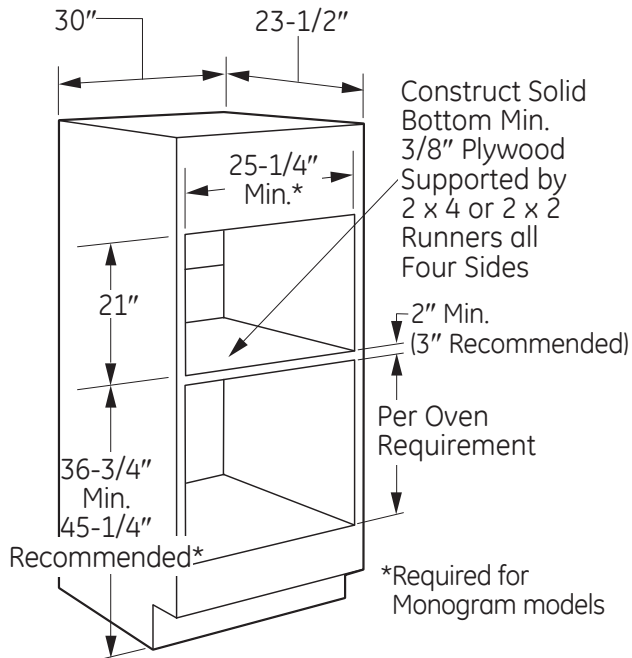
# Installation Preparation

## Preparation WITH an Accessory Storage Drawer

NOTE: MODEL ZSC1201 CAN ONLY BE INSTALLED WITH AN ACCESSORY STORAGE DRAWER IF INSTALLED ABOVE 36-3/4".  
 MODEL ZSC1202 CANNOT BE INSTALLED WITH AN ACCESSORY STORAGE DRAWER. SEE INSTALLATION PREPARATION WITHOUT AN ACCESSORY STORAGE DRAWER FOR THIS MODEL.

### PREPARE THE OPENING (cont.)

Installation over a GE/Monogram Oven:

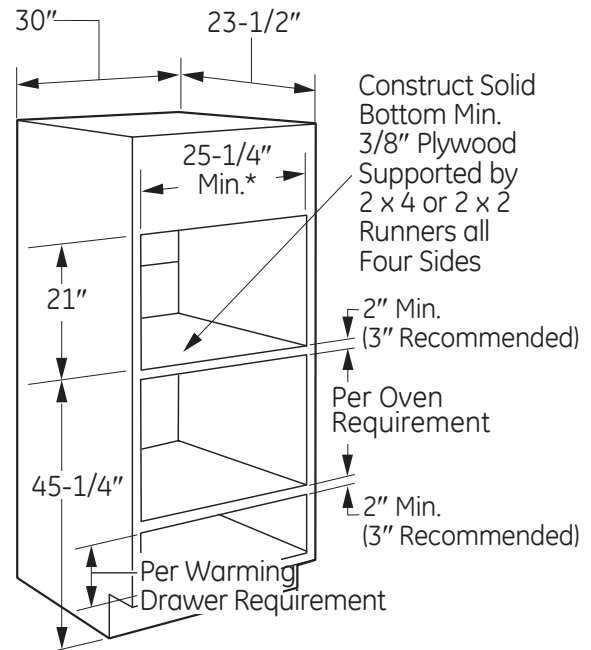


\* For existing cutouts, a maximum width of 28-1/2" is acceptable. If the opening is slightly wider, secure a furring strip on each side of the cutout for securing the oven.

- If you are replacing a GE/Monogram electric double oven with the combined installation of an Advantium 120V and a single oven, use the dimensions shown. The middle rail separating the two openings may need to be larger than the 2" minimum shown.

### PREPARE THE OPENING (cont.)

Installation over a GE/Monogram Oven and Warming Drawer:



\* For existing cutouts, a maximum width of 28-1/2" is acceptable. If the opening is slightly wider, secure a furring strip on each side of the cutout for securing the oven.

**NOTE:** Additional clearances between the cutouts may be required. Check to be sure the oven supports above the Warming Drawer location do not obstruct the required interior depth and height. See Warming Drawer installation instructions for details.

**CAUTION:** For personal safety, the mounting surface must be capable of supporting the cabinet load, in addition to the added weight of this approximate 80-pound oven and 30-pound drawer, plus additional oven loads of up to 50 pounds or a total weight of 160 pounds.

**PRECAUCIÓN:** Para seguridad personal, la superficie de montaje debe poder soportar la carga del gabinete, además del peso aproximado de 80 libras del horno y las 30 libras del cajón, más las cargas adicionales del horno de hasta 50 libras o un peso total de hasta 160 libras.

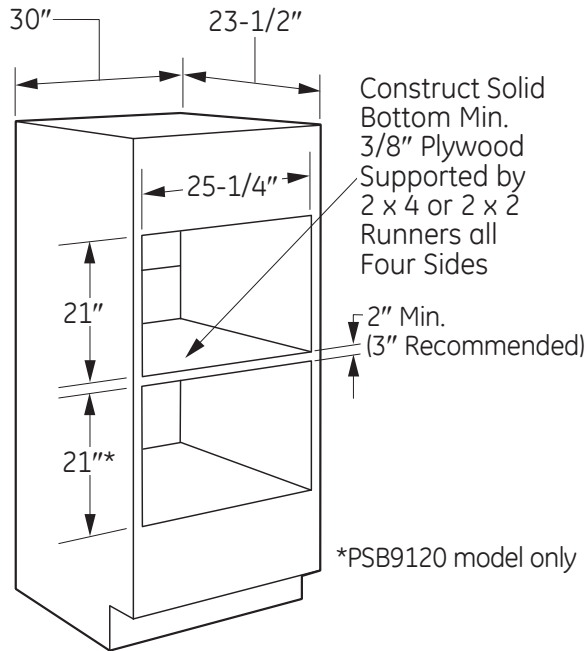
# Installation Preparation

## Preparation WITH an Accessory Storage Drawer

NOTE: MODEL ZSC1201 CAN ONLY BE INSTALLED WITH AN ACCESSORY STORAGE DRAWER IF INSTALLED ABOVE 36-3/4".  
 MODEL ZSC1202 CANNOT BE INSTALLED WITH AN ACCESSORY STORAGE DRAWER. SEE INSTALLATION PREPARATION WITHOUT AN ACCESSORY STORAGE DRAWER FOR THIS MODEL.

### PREPARE THE OPENING (cont.)

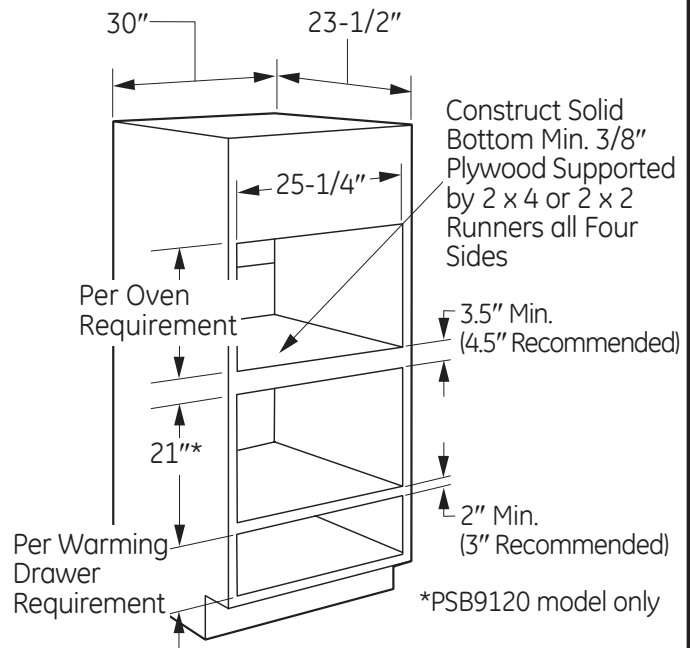
Installation over another GE/Monogram Under-the-Counter (UTC) oven:



- If you are mounting an Under-the-Counter GE/Monogram oven over another, use the dimensions shown. The middle rail separating the two openings may need to be larger than the 2" minimum shown.

### PREPARE THE OPENING (cont.)

Installation under a GE/Monogram Microwave Oven and over a Warming Drawer:



**NOTE:** Additional clearances between the cutouts may be required. Check to be sure the oven supports above the Warming Drawer location do not obstruct the required interior depth and height. See Warming Drawer installation instructions for details.

**⚠ CAUTION:** For personal safety, the mounting surface must be capable of supporting the cabinet load, in addition to the added weight of this approximate 80-pound oven, plus additional oven loads of up to 50 pounds or a total weight of 130 pounds.

**⚠ PRECAUCIÓN:** Para seguridad personal, la superficie de montaje debe poder soportar la carga del gabinete, además del peso aproximado de 80 libras del horno, más las cargas adicionales del horno de hasta 50 libras o un peso total de hasta 130 libras.

# Installation Preparation

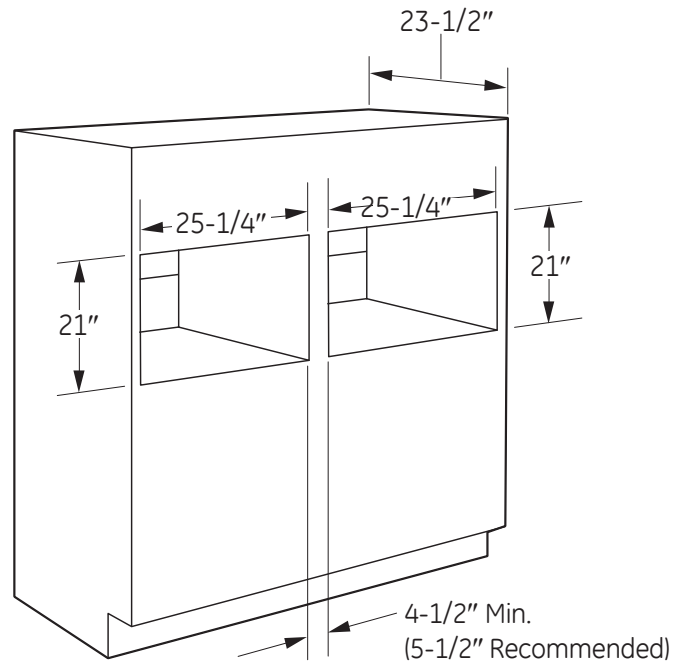
## Preparation WITH an Accessory Storage Drawer

NOTE: MODEL ZSC1201 CAN ONLY BE INSTALLED WITH AN ACCESSORY STORAGE DRAWER IF INSTALLED ABOVE 36-3/4". MODEL ZSC1202 CANNOT BE INSTALLED WITH AN ACCESSORY STORAGE DRAWER. SEE INSTALLATION PREPARATION WITHOUT AN ACCESSORY STORAGE DRAWER FOR THIS MODEL.

### PREPARE THE OPENING (cont.)

#### Installation beside another GE/Monogram Built-in Speedcook Oven:

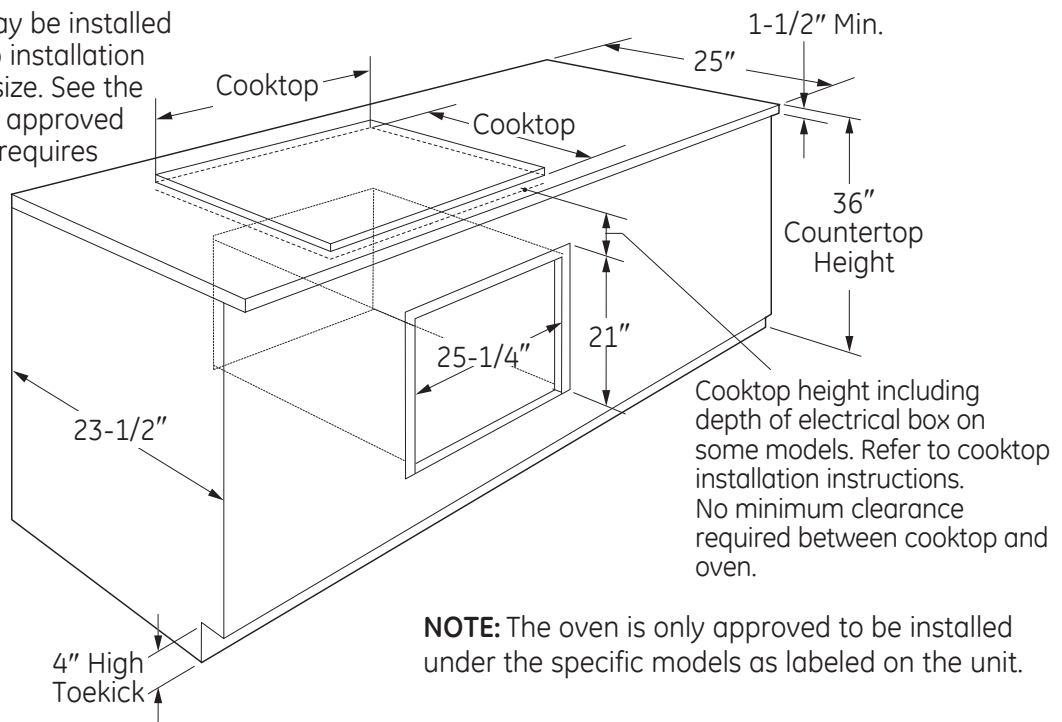
- If you are mounting one Under-the-Counter GE/ Monogram oven beside the other, use the dimensions shown. The middle rail separating the two openings may need to be larger than the 4-1/2" minimum shown.



### PREPARE THE OPENING (cont.)

#### Installation under a GE Profile 30" or 36" Cooktop or Countertop:

Gas or electric cooktops may be installed over this oven. See cooktop installation instructions for the cutout size. See the label on top of the oven for approved cooktop models. This oven requires a separate, properly grounded 15-Amp, 120-Volt, 60Hz power supply. The cooktop requires a separate power supply. Use a 36" or wider base cabinet.



#### IMPORTANT:

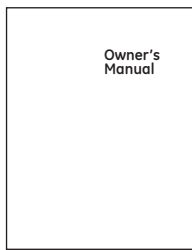
For PSB9120 model only. The Monogram oven and drawer combination cannot be installed below a countertop.

**NOTE:** The oven is only approved to be installed under the specific models as labeled on the unit.

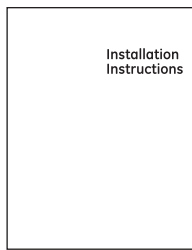
# Installation Instructions

## 1 REMOVE THE PACKAGING AND PARTS

- Remove all packing material and tape.
- Locate parts package containing mounting screws.
- Remove the oven from the carton. Do not lift unit by handle or conduit. Two people are required to lift this oven.
- Open the door and remove any packaging in oven.



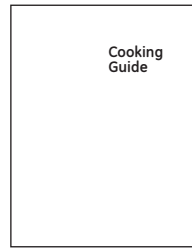
Owner's Manual



Installation Instructions



Cook Book



Cooking Guide



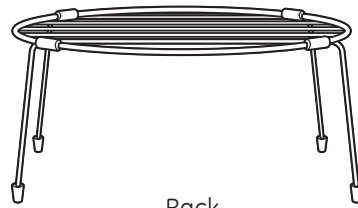
Glass Tray



Turntable Ring



Metal Trays (2)



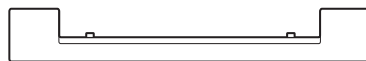
Rack

**⚠ CAUTION:** If installing the Advantium 120V Oven below 36", you must use the **plastic** bottom trim due to burn risk to children. The plastic trim acts as insulation and will help prevent burns to children from hot surfaces.

**⚠ PRECAUCIÓN:** Si va a instalar el horno Advantium de 120V debajo de 36", usted debe utilizar el reborde inferior **plástico** debido al riesgo de quemaduras para los niños. El reborde plástico actúa como aislante y evitará que los niños sufran quemaduras provocadas por las superficies calientes.



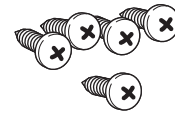
Bottom Trim - Plastic



Bottom Trim - Metal



6 Brass Screws  
(3 required, 3 extra)



5 Color-Matched Screws  
(4 required, 1 extra)

**IMPORTANT:** If installing the Advantium 120V Oven with an accessory storage drawer, read the storage drawer assembly instructions to assemble the products together before proceeding to Step 2.

# Installation Instructions

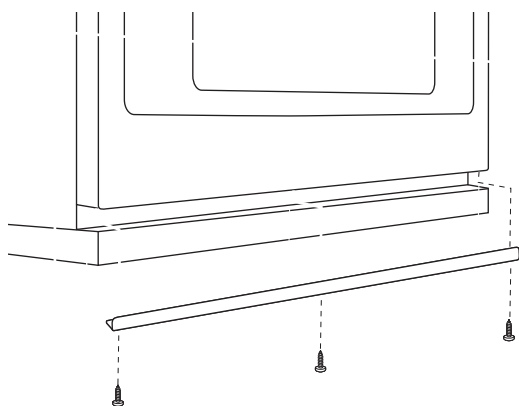
## 2 DOOR TRIM REMOVAL FOR ABOVE 36" INSTALLATION ONLY

If installing the Advantium 120V Oven above 36" from the floor, you may remove the plastic trim from the bottom of the door for esthetic purposes if desired.

**⚠ CAUTION:** If installing the Advantium 120V Oven below 36", do not remove the plastic door trim due to burn risk to children. The plastic trim acts as insulation and will help prevent burns to children from hot surfaces.

**⚠ PRECAUCIÓN:** Si va a instalar el horno Advantium de 120V debajo de 36", usted no debe quitar el reborde plástico de la puerta debido al riesgo de quemaduras para los niños. El reborde plástico actúa como aislante y evitará que los niños sufran quemaduras provocadas por las superficies calientes.

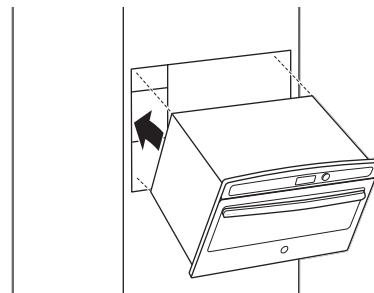
- If installing above 36", remove the 3 screws that secure the plastic trim to the bottom of the door.
- Discard plastic trim. Replace screws.



## 3 SLIDE THE OVEN INTO THE CUTOUT

**⚠ CAUTION:** Two people are required to lift the oven into the opening. Grasp the bottom at front and rear. DO NOT USE THE HANDLE TO LIFT THE OVEN. DAMAGE WILL OCCUR.

**⚠ PRECAUCIÓN:** Se necesitan dos personas para levantar el horno hasta la abertura. Tómelo de la parte inferior desde el frente y la parte trasera. NO USE LA MANIJA PARA LEVANTAR EL HORNO. SE PRODUCIRÁN DAÑOS.



- Lift and hold the oven at the front of the opening. Hold the oven at an angle and plug in the power cord.
- Carefully, slide the oven into the cabinet part way. Leave the oven a few inches forward of the cabinet frame.
- Check to be sure the power cord is not trapped under the oven or along the sides of the oven.



# Installation Instructions

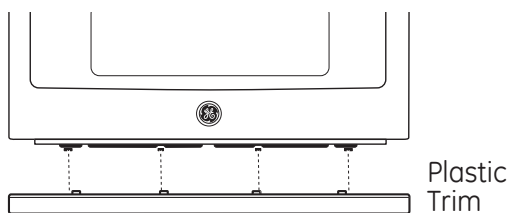
## 4 INSTALL BOTTOM TRIM

**CAUTION:** If installing the Advantium 120V Oven below 36", you must use the **plastic** bottom trim due to burn risk to children. The plastic trim acts as insulation and will help prevent burns to children from hot surfaces.

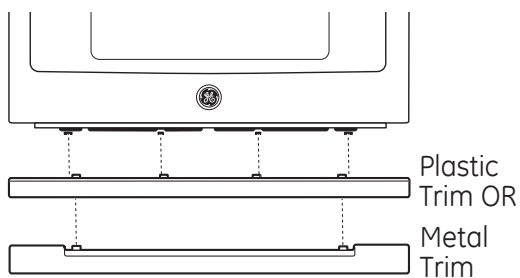
**PRECAUCIÓN:** Si va a instalar el horno Advantium de 120V debajo de 36", usted debe utilizar el reborde inferior **plástico** debido al riesgo de quemaduras para los niños. El reborde plástico actúa como aislante y evitará que los niños sufran quemaduras provocadas por las superficies calientes.

**NOTE:** If installing the Advantium 120V Oven with an accessory storage drawer, the bottom trim is not required. Proceed to Step 5.

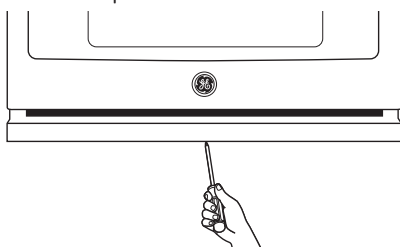
- **Installation Below 36"**, align trim tabs on the plastic trim to slots in the bottom of the oven.



- **Installation Above 36"**, align trim tabs on the plastic or metal trim to slots in the bottom of the oven.



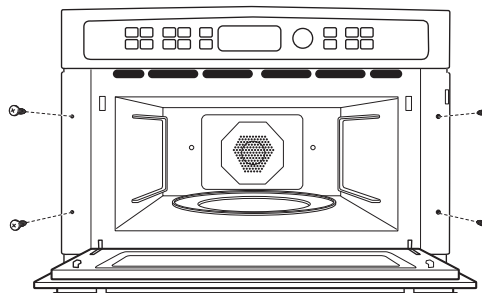
- Secure the bottom trim to the bottom of the oven using 3 screws provided.



## 5 INSTALL BOTTOM TRIM WITH ACCESSORY DRAWER

If installing with an accessory drawer, see installation instructions on page 17 or instructions that come with the accessory drawer.

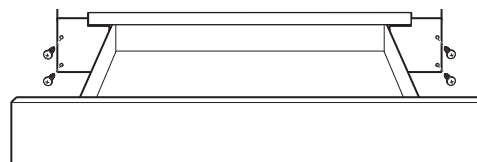
## 6 INSTALL MOUNTING SCREWS



- Slide the oven the remaining way into the opening so that the side flanges and control panel are against the cabinet frame. Make sure that the oven is centered in the opening.
- Open the door, place a turntable tray in the oven and make sure that the tray in the unit is level.
- Drill pilot holes through the side flanges.
- Drive the color-matched screws into the side flanges. It is recommended that the screws be hand tightened.

**If installing oven with an accessory storage drawer:**

- Open the drawer.
- Drill pilot holes through the side flanges.
- Drive color-matched screws into the side flanges. It is recommended that the screws be hand tightened.



**NOTE:** If installing the Profile Advantium 120V Oven with an accessory storage drawer, you must use the Under-the-Counter (UTC) mounting bracket for the drawer.

If installing the Monogram Advantium integrated model ZSC1201 above 36", the UTC mounting bracket for the accessory storage drawer must be used.

## 7 FINALIZE INSTALLATION

- Turn power on at the source. The interior light should come on when the door is opened.
- Refer to Owner's Manual for operating instructions.



GE Consumer & Industrial Appliances

# Assembly Instructions

## Advantium® Built-In Accessory Storage Drawer JX2200, JX2201, ZX2201

### BEFORE YOU BEGIN

Read these instructions completely and carefully. Read the Installation Instructions for the Advantium 120V or 240V oven completely and carefully for cutout dimensions and step-by-step instructions.

**IMPORTANT** – Save these instructions for local inspector's use.

**IMPORTANT** – Observe all governing codes and ordinances.

- **NOTE TO INSTALLER:** Be sure to leave these instructions with the Consumer.
- **NOTE TO CONSUMER:** Keep these instructions with your Advantium 120V or 240V Oven Owner's Manual for future reference.
- **SKILL LEVEL:** Installation of this appliance requires basic mechanical skills.
- **COMPLETION TIME:** One hour with the installation of an Advantium 120V or 240V oven.
- Proper installation is the responsibility of the installer.
- Product failure due to improper installation is not covered under the Warranty. See the Advantium 120V or 240V Oven Owner's Manual for warranty information.

### MODELS AVAILABLE

#### Profile Models:

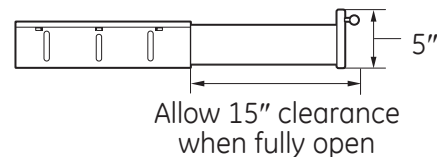
- JX2200BB–Black
- JX2201SS–Stainless Steel

#### Monogram Models:

- ZX2201SS–Stainless Steel (for installation above 36" only)

**NOTE: Advantium 240V model ZSC2202SS and Advantium 120V model ZSC1202 CANNOT be installed with an accessory storage drawer.** See Installation Preparation Without an Accessory Storage Drawer in the Installation Instructions for these models.

### PRODUCT DIMENSIONS AND CLEARANCES



**NOTE:** Appearance will vary by model.

### TOOLS REQUIRED

- #2 Phillips screwdriver

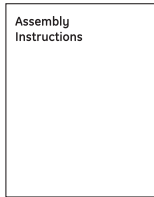
### PARTS SUPPLIED

- 2 Side Supports
- Screws (8)
- Screws (color-matched) (5)
- Under-the-Counter Mounting Bracket (1)

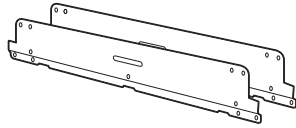
# ASSEMBLY TO ADVANTIUM BUILT-IN SPEEDCOOK OVEN

## 1 REMOVE PACKAGING AND PARTS

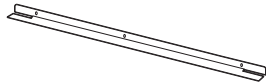
- Remove the drawer from the carton.
- Remove all packing material and tape.
- Open the drawer and remove any parts inside.
- Locate parts.



Assembly Instructions



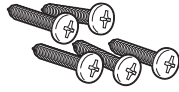
Side Supports (2)



Under-the-Counter (UTC) Mounting Bracket



Screws  
(6 required,  
2 extra)

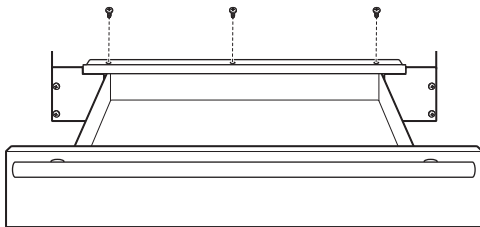


Color-Matched  
Screws  
(4 required,  
1 extra)

## 2 UNDER-THE-COUNTER (UTC) MOUNTING BRACKET INSTALLATION

**NOTE:** For UTC models PSB9120 and ZSC1201 only.

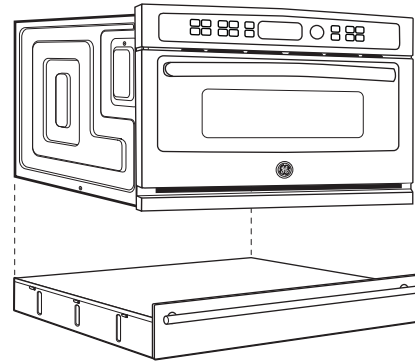
- Open the accessory drawer so you have access to the top bracket.
- Remove the three screws securing the top bracket.
- Install the new UTC mounting bracket using the screws removed previously.



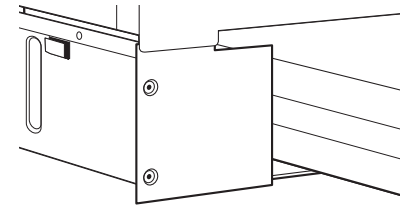
- Close the drawer and proceed with the installation.

## 3 ASSEMBLING THE OVEN TO DRAWER

- Place storage drawer on a surface with the front of drawer hanging over the edge of the surface. Not placing the front edge of drawer over the edge of the surface may result in damage to the drawer since the front edge of drawer hangs below the bottom of drawer.
- Place the oven on top of the storage drawer. Make sure that the back and sides of the oven align with the back and sides of drawer.



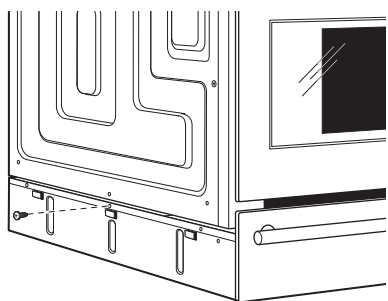
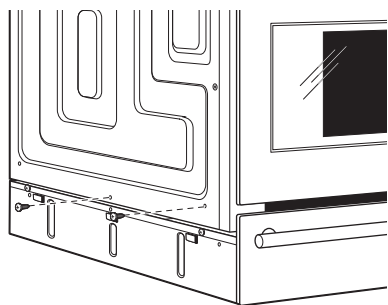
**NOTE:** The bottom of the oven side flanges will sit directly in front of the top of the storage drawer side flanges.



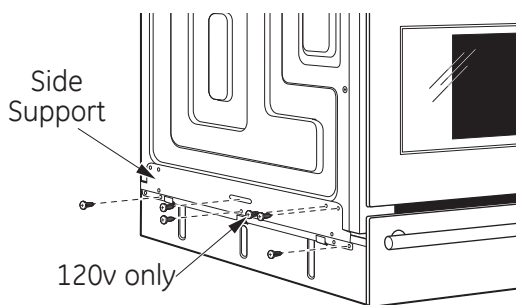
## ASSEMBLY TO ADVANTIUM BUILT-IN SPEEDCOOK OVEN

### ASSEMBLING THE OVEN TO DRAWER (cont.)

- C** Remove the front two bottom screws on each side of the oven and the top center screw on each side of the storage drawer.



- D** Place the side supports into the tabs on the drawer and secure using the screws supplied and the screws removed in Step C.



- E** The oven and storage drawer assembly is now ready to be installed. Return to the Advantium 120V or 240V Built-In SpeedCook Oven Installation Instructions to complete the installation.

**NOTE:** While performing installations described in this book, safety glasses or goggles should be worn.

**NOTE:** Product improvement is a continuing endeavor at General Electric. Therefore, materials, appearance and specifications are subject to change without notice.



**GE Appliances & Lighting**  
Appliances  
General Electric Company  
Louisville, KY 40225  
GEAppliances.com