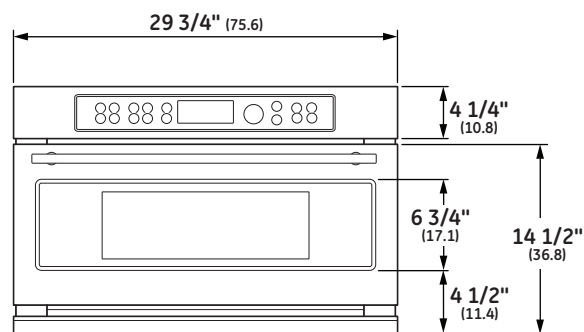




OVERALL DIMENSIONS

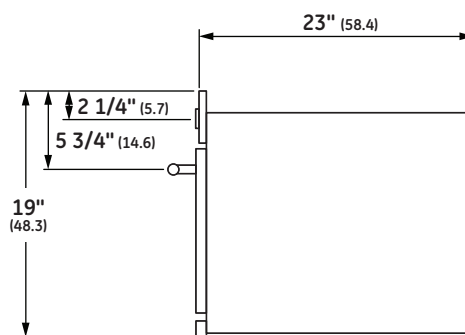


FRONT VIEW (SHOWING CUTOUT OVERLAP)

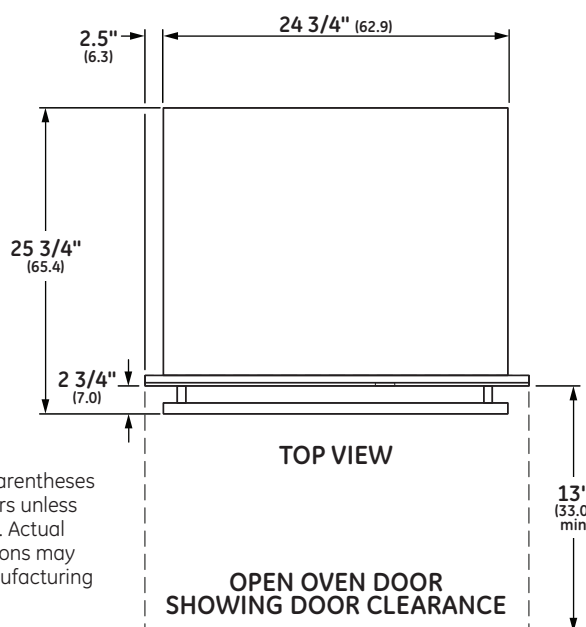
SPECIFICATIONS

Overall Width	29 3/4" (75.6 cm)
Overall Height	19" (48.3 cm)
Overall Depth	21 1/2" (54.6 cm)
Oven Door Clearance	19" (48.3 cm) Min
Overall Oven Interior Capacity	1.6 cu. ft. (.05 cu. cm)
Oven Interior Dimensions (W x H x D)	20 1/16" x 8 1/2" x 17" (51 cm x 21.6 cm x 43.2 cm)
Minimum Cabinet Width*	30" (76.2 cm)
Minimum Cabinet Depth*	21 1/2" (54.6 cm)
Minimum Base Support	130 lbs (59 kg)
Cutout Width*	25 1/4" (64.1 cm) Min
Cutout Height*	17 1/2" (44.5cm) Min
Cutout Depth*	21 1/2" (54.6 cm) Min
Voltz/Hertz/Amps	120 VAC, 60 Hz, 15 Amps
Conduit Length	48" (121.9 cm)
Electrical Rating	1.8 kW at 120V
Total Amps	6.3 kW at 240V
Shipping Weight	87 lbs (39.5 kg)

* Additional space will be needed for flush installation.



SIDE VIEW



TOP VIEW
OPEN OVEN DOOR
SHOWING DOOR CLEARANCE

Dimensions in parentheses are in centimeters unless otherwise noted. Actual product dimensions may vary due to manufacturing tolerances.

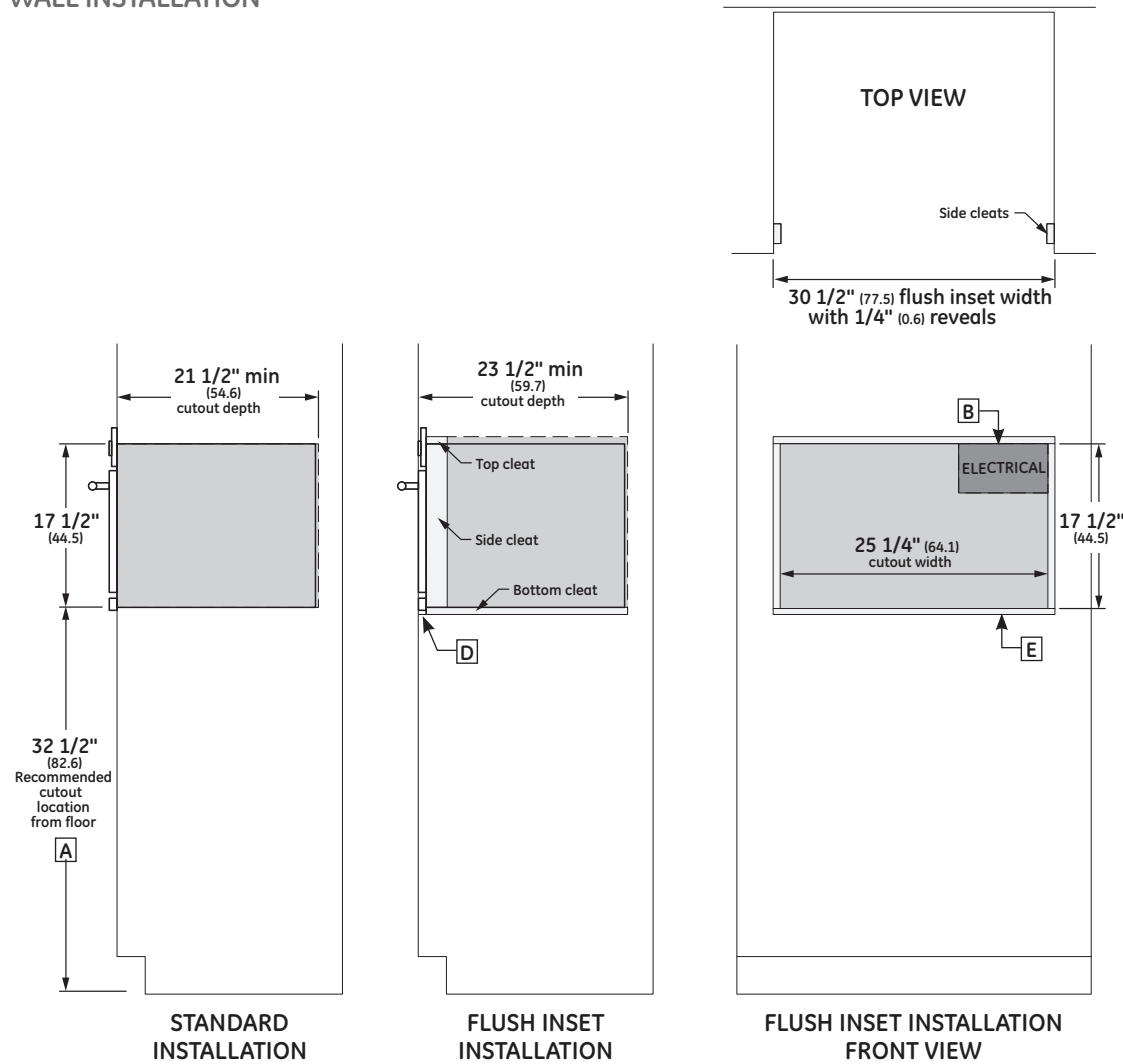
Actual product dimensions may vary due to manufacturing tolerances.

ATTENTION ELECTRICIAN:

A 120V, 60Hz, 15 Amp circuit is required. An individual properly grounded branch circuit or circuit breaker is required. Hardware junction box is required for built-in product.



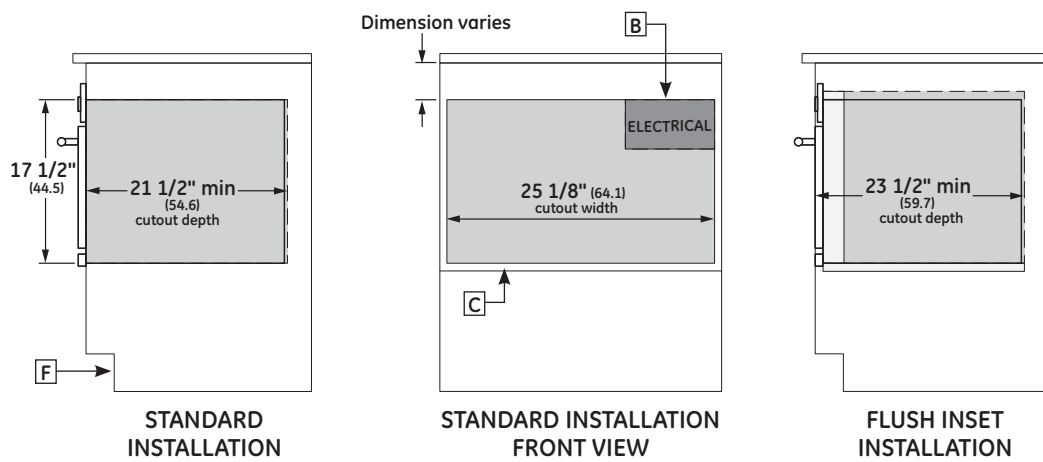
WALL INSTALLATION



NOTES

- A** Based on a user height of 5' 6" to 5' 10"
- B** Junction box location (May also be located in adjacent cabinet.)
- C** Platform must be able to support 130 lbs (90 kg)
- D** Top surface of cabinet must be an appearance finished surface for flush installation.
- E** Cleats may be visible and should be finished to match cabinetry.
- F** Maximum toe kick height of 4" when installed beneath a certified cooktop.

UNDERCOUNTER INSTALLATION



For more details, refer to the installation instructions for this product on Monogram.com. Dimensions in parentheses are in centimeters unless otherwise noted.

FEATURES AND BENEFITS

Remarkable versatility - Multiple cooking options create four ovens in one--Speedcook, True European convection, sensor microwave and warming ovens -- to bake, broil, brown, roast and warm and proof food

Speedcook technology - Halogen light system combines with microwaves and speedcooks your favorite foods to delicious perfection in minutes, with no preheating

Powerful performance - Oven-quality foods cook up to four times faster than a conventional oven, with no preheating required

Spacious interior - Large 1.7-cu.-ft rounded oven cavity with 16" turntable allow full and continual rotation of a 9" x 13" casserole dish; removable oven rack offers the convenience of multi-level cooking

Installation flexibility - Ovens can be installed in 30" wall cabinet and can also be installed undercounter

Professional styling - Professional models exude power with a premium-grade stainless steel exterior, chamfered edges and a die-cast control knob

