

# PHP9036SJ

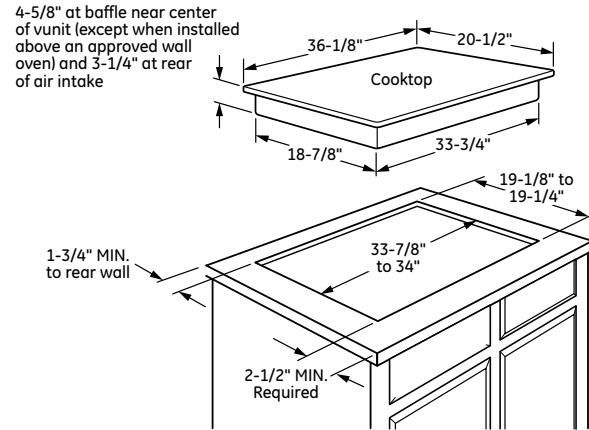
## GE Profile™ Series 36" Built-In Touch Control Induction Cooktop

### DIMENSIONS AND INSTALLATION INFORMATION (IN INCHES)

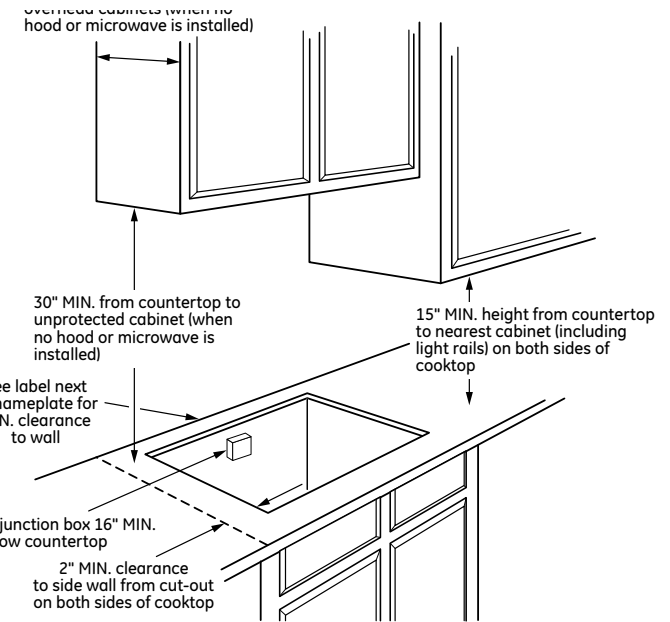
**IMPORTANT:** Requires a 5" free area between the bottom of the cooktop to any combustible material, i.e., shelving. Free area not required when installing wall oven underneath cooktop. Refer to installation instructions. Requires a 15" minimum from cooktop to adjacent overhead cabinets. Units are furnished with a 48" flexible armored cable.

**NOTE:** 36" induction cooktops are approved for use over select GE 30" Single Wall Ovens and Warming Drawers. Refer to cooktop and wall oven/warming drawer installation instructions packed with product for current dimensional data. If installed with a GE Telescopic Downdraft System, consult both the cooktop and downdraft installation instructions packed with product before installing. Cooktop gas/electric supply may need to be re-routed to install downdraft. The countertop cutout requires 23-1/2" minimum flat countertop surface and 25" minimum total countertop depth. In addition, other clearances to front edge of the countertop must be considered. **Before installing, consult installation instructions packed with product for current dimensional data.**

### APPROXIMATE COOKING DIMENSIONS



To insure accuracy, it is best to make a template when cutting the opening in the counter



KW Rating	
240V	11.1
208V	9.6
Amperage	
240V	46.3 Amps†
208V	46.3 Amps†

**NOTE:** Check local codes for required breaker size



GE APPLIANCES

For answers to your Monogram,® GE Profile™ or GE® appliance questions, visit our website at [geappliances.com](http://geappliances.com) or call GE Answer Center® service, 800.626.2000.



Listed by Underwriters Laboratories

# PHP9036SJ

## *GE Profile™ Series 36" Built-In Touch Control Induction Cooktop*

### **FEATURES AND BENEFITS**

Five Induction elements - Enjoy a new level of rapid, precise heating with a cool-to-the-touch surface that's easy to clean

Digital touch controls - Accurately control your heating and enjoy an easy to clean surface

11" 3,700-watt induction element - Rapidly boil water with GE's most powerful induction element

SyncBurners - Control two 7" elements simultaneously to evenly heat large cookware or griddles\*

Kitchen timer - Helps coordinate meal preparation and cooking

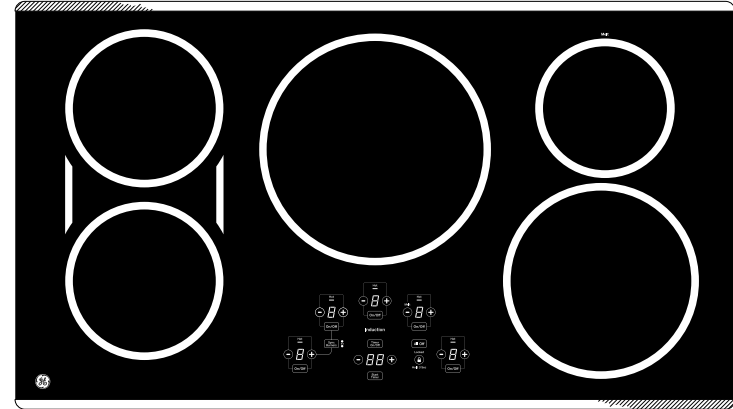
Control lock capability - Protects against unintended activation

Pan presence & size sensor - Cook efficiently with elements that heat to the size of your pan and shut off when no pan is present

Red LED display with black glass surface and stainless steel trim - Achieve a modern look that complements the entire kitchen and other stainless steel appliances

Hot surface indicator lights - Know when elements are too hot to touch with a quick glance

Model PHP9036SJSS - Stainless steel



### **\*OPTIONAL STAINLESS STEEL CLAD ALUMINUM GRIDDLE**

Achieve even results with this lightweight griddle, tailored to fit GE SyncBurners. Order part number JXGRIDL1 from your GE Dealer.



**GE APPLIANCES**