

RF220NCTASR

22 cu. ft. 30-inch Wide French Door Refrigerator

Features

- 30 inches wide
- Large Storage Capacity – 22 cu. ft.
- Ice Maker in Freezer
- High-Efficiency LED Lighting
- Wide Open Pantry
- Two Humidity-Controlled Crispers
- Tempered Glass Spill-Proof Shelves
- Auto Pull-Out Upper Freezer Drawer

Convenience

- CoolTight Door
- Door Alarm
- Removable Ice Caddy

Meets DOE standards:
630 kWh/yr



French Door Design



High-Efficiency LED Lighting

Available Colors



Stainless Steel
(shown)



White



Black



Stainless Platinum

Signature Features

LARGE STORAGE CAPACITY

- Striking, sleek design with ample interior storage space.
- Enjoy fewer trips to the grocery store thanks to 22 cu. ft.¹ space – fits up to 22 bags of groceries.²

¹ Actual size is 21.8 cu. ft.

² Grocery comparison based on each cubic foot of usable space equaling one paper bag.

HIGH-EFFICIENCY LED LIGHTING

- High-efficiency design beautifully lights up the interior so you're able to quickly spot what you want.
- Sleek design saves more space than traditional incandescent light bulbs.

WIDE OPEN PANTRY

Store long, flat and wide food items that cannot fit elsewhere. Great for storing party platters and more, without taking up space on other shelves.



Ranked **“Highest in customer satisfaction with French Door refrigerators, in a tie.”***

–J.D. Power

SAMSUNG

RF220NCTASR

22 cu. ft. 30-inch Wide French Door Refrigerator

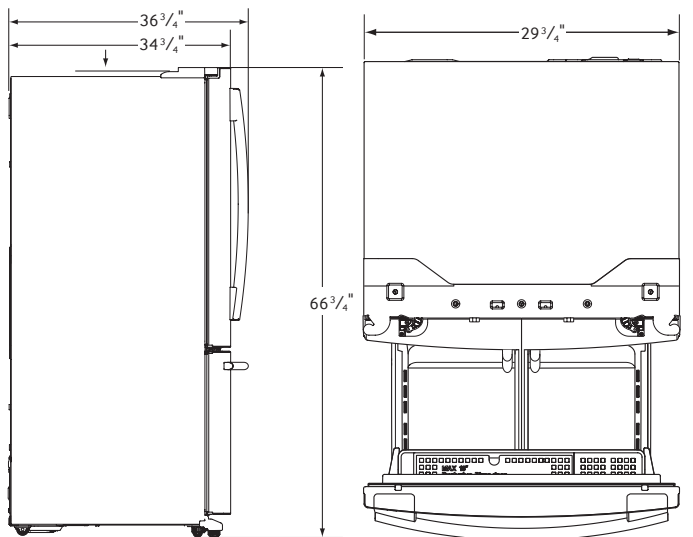
Installing Your Refrigerator

1. Measure the height, width and depth of the opening, making sure to include baseboards, molding tile, countertop overhang, etc. Check to be sure there is enough room to open the door (consider walls, islands or other obstacles when measuring).
2. Refer to illustration below to determine dimensions.
3. Allow 2" of clearance on hinge side of refrigerator when installing next to a wall where handle may make contact.
4. Allow 1" minimum clearance at rear for proper air circulation and water/electrical connections. Allow a 3/8" minimum clearance at sides and top for ease of installation.
5. Ensure each door and entry way in the home is wide enough for the refrigerator to be moved through easily.

Please note: The following dimension and cutout information is for planning purposes only. For complete installation details consult manual packed with product, or download manual on-line at samsung.com.



Dimensions



Total Capacity: 21.8 cu. ft.

Refrigerator: 14.8 cu. ft.

- Wide Open Pantry
- 2 Humidity-Controlled Crispers
- 5 Tempered Glass Spill-Proof Shelves
- 6 Gallon Door Bins
- High-Efficiency LED Lighting

Freezer: 7.0 cu. ft.

- 1 Large Opaque Freezer Bin with Divider
- Auto Pull-Out Upper Drawer Bin
- Ice Maker (Cubed)
- High-Efficiency LED Lighting

Warranty

One (1) Year All Parts and Labor
Five (5) Years Sealed System Parts and Labor

Product Dimensions & Weight

Dimensions (WxHxD with hinges, handles and doors):
29 3/4" x 66 3/4" x 36 1/4"

Dimensions (WxHxD without hinges and door):
29 3/4" x 65 3/8" x 30 1/2"

Dimensions (WxHxD with hinge and door, no handle):
29 3/4" x 66 3/4" x 33 7/8"

Weight: 251.3 lbs.

Shipping Dimensions & Weight (WxHxD)

Dimensions: 31 7/8" x 74 3/4" x 36 1/4"

Weight: 275.6 lbs.

Color	Model #	UPC Code
Stainless Steel	RF220NCTASR	036725590250
White	RF220NCTAWW	036725590281
Black	RF220NCTABC	036725590274
Stainless Platinum	RF220NCTASP	036725590267

SAMSUNG

*Samsung received the highest numerical score for French door refrigerators in a tie in the proprietary J.D. Power 2014 Kitchen Appliance StudySM. Study based on 15,380 total responses measuring 10 French door refrigerator brands and measures opinions of consumers about their new appliance purchased in the past 24 months. Proprietary study results are based on experiences and perceptions of consumers surveyed in January-March 2014. Your experiences may vary. Visit jdpower.com.

Actual color may vary. Design, specifications, and color availability are subject to change without notice. Non-metric weights and measurements are approximate.

©2014 Samsung Electronics America, Inc. 85 Challenger Road, Ridgefield Park, NJ 07660. Tel: 800-SAMSUNG. samsung.com. Samsung is a registered trademark of Samsung Electronics Co. Ltd.