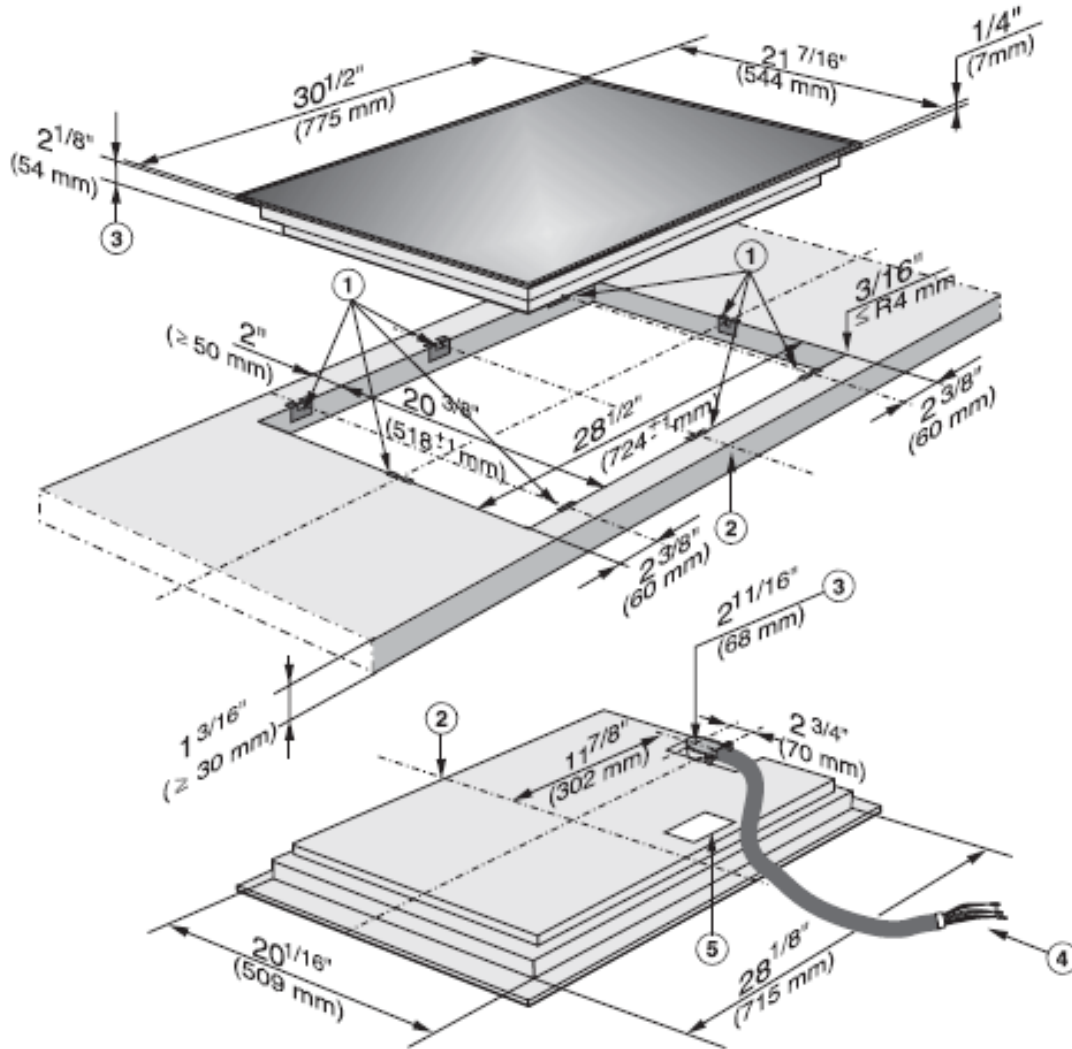


# Product Dimensions



## Touch Control Electric Cooktop

### KM5840



- ① Spring clips
- ② Front
- ③ Installation height
- ④ Connecting cable, Length =  $56\frac{11}{16}''$  (1440 mm)
- ⑤ Rating label

Location Codes
E - 208 / 240 Volt - 40 Amp 3-wire power supply connects rear center bottom.
Notes
<ul style="list-style-type: none"> <li>• Please specify 208 Volt or 240 Volt unit when ordering.</li> <li>• All installations must be done in accordance with local codes.</li> </ul>

Note: Drawing is not to scale

Specification Sheets OJS 04112011