

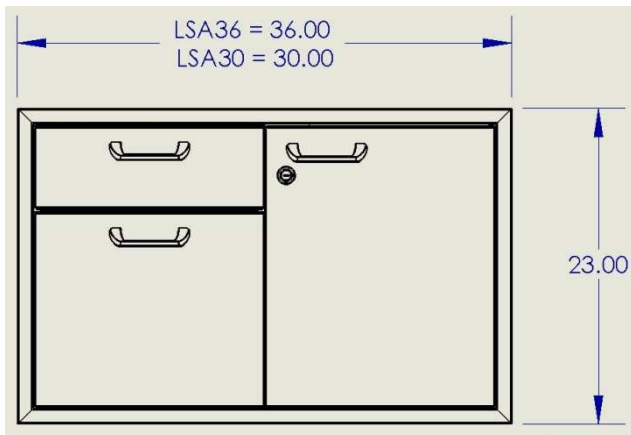


LYNX STORAGE ACCESSORY MODELS: LSA36 & LSA30

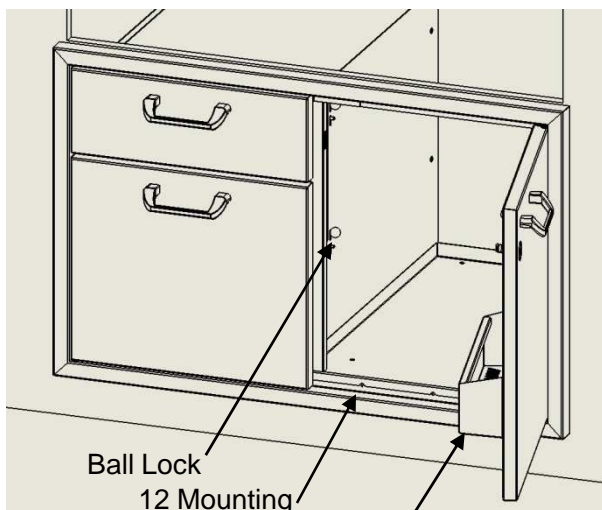
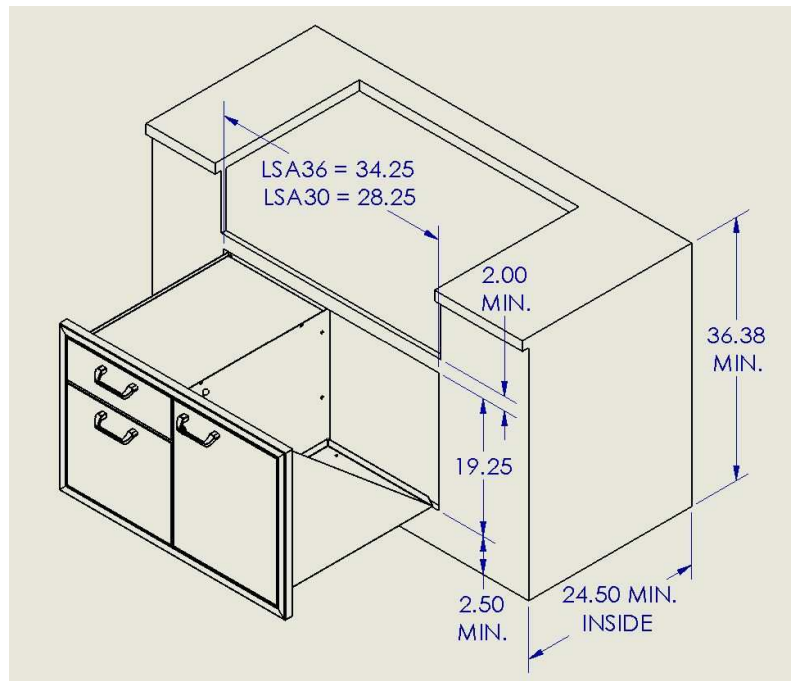
Lynx Storage Accessory Model No.: LSA36 & LSA30

Introduction:

This storage accessory is designed with interior lighting, and locking doors. The stainless steel body is rigidly constructed and has professionally polished solid stainless steel handles.



Overall Dimensions



Note: lift and remove the bottle holder when installing or removing Propane tanks.

The drawers are 10-1/2" to 13 1/2" wide and 22" deep to accommodate everything from oversized tools to towels. The sliding drawers are removable, self closing and fully lined for cleanliness. The key locked door includes an easily removable condiment shelf.

Each drawer has an independent ball lock. Lift the ball and tighten for operation – lower for lock.

An electrical cord is provided to connect to the grill. Disconnect the transformer from the grill and attach the cord between the grill and transformer.