



H1620SS



5" x 20" x 18" (H x W x D)

20 inch wide convertible range hood for ducted or ductless use in stainless steel finish

Highlights:

20" wide range hood matches slim apartment sized ranges

Convertible from top or rear venting into non-vented recirculating mode

Stainless steel finish for lasting durability

Features include two-speed fan, switchable light, and combination aluminum-charcoal filter

Product Features:

20" wide	Designed to match 20 inch ranges; also available in 24, 30, and 36 inch widths
Convertible range hood	Use top or rear venting or convert into non-vented recirculating mode
Stainless steel finish	White, black, and bisque hoods also available in same size
Two-speed fan	Variable speed for more ventilation options
Light	Switchable light offers more convenience in your kitchen
Aluminum-charcoal filter	Provides thorough filtering to reduce odors
Made in the USA	Solidly constructed for years of use
More sizes available	Additional sizes can be specially ordered (minimums apply)



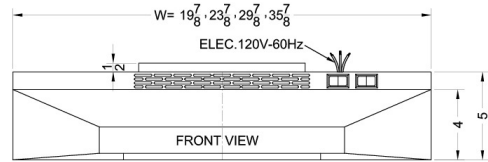
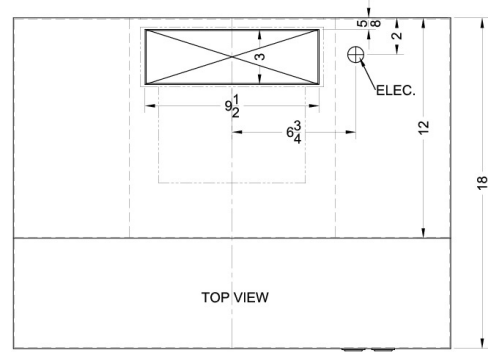
SUMMIT APPLIANCE DIVISION FELIX STORCH, INC.

770 Garrison Avenue, Bronx, NY 10474 USA TEL 718-893-3900 FAX 844-478-8799 info@summitappliance.com www.summitappliance.com



H1620SS Specifications:

Overview	
Height	5.0"
Width	20.0"
Depth	18.0"
Cabinet	Stainless Steel
Weight	15.0 lbs.
Shipping Weight	15.0 lbs.
Parts & Labor Warranty	1 Year



MODEL NO.	WIDTH
1600EZVx20	19 7/8"
1600EZVx24	23 7/8"
1600EZVx30	29 7/8"
1600EZVx36	35 7/8"



SUMMIT APPLIANCE DIVISION FELIX STORCH, INC.

770 Garrison Avenue, Bronx, NY 10474 USA TEL 718-893-3900 FAX 844-478-8799

info@summitappliance.com



www.summitappliance.com