



SCFF1842



34" x 17.75" x 24" (H x W x D)

18" wide frost-free freezer in black for built-in or freestanding use, with lock and digital thermostat

Highlights:

Unique 18" width is ideal for small homes and micro-kitchens

Fully frost-free for low maintenance operation

Flexible design allows built-in or freestanding use under counters

Digital thermostat offers precise and convenient temperature control

Product Features:

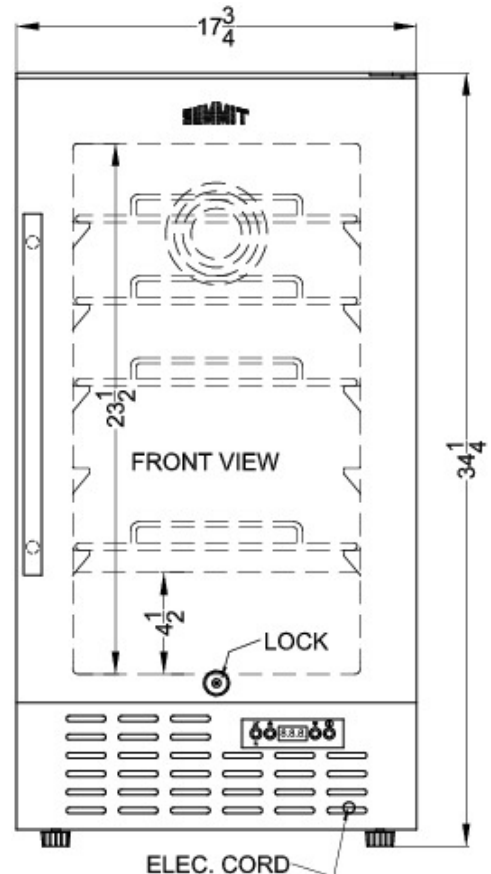
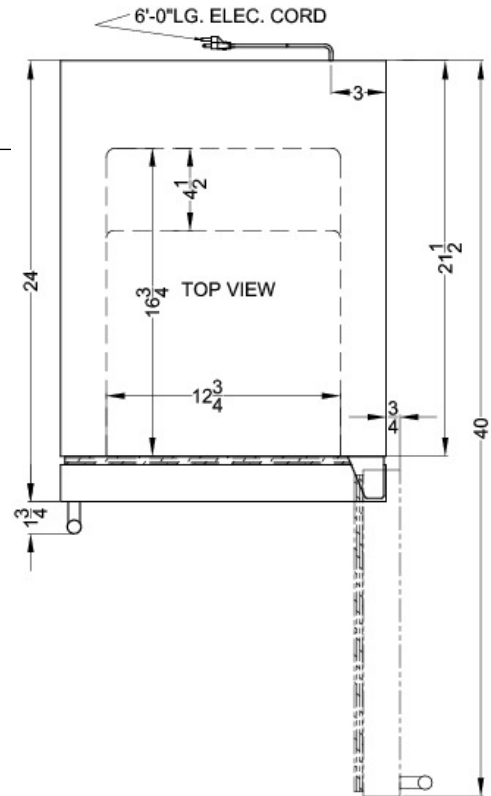
Built-in capable	Make the best use of space by installing your appliance under the counter
Fully finished black cabinet	Allows the unit to be used freestanding
Factory installed lock	Keyed security on the door
Digital thermostat	Electronic controls for precise temperature management.
Digital display	Temperature readout can be shown in Celsius or Fahrenheit
Frost-free operation	Eliminates the need to manually defrost the interior
Adjustable chrome shelves	Rearrange interior space to accommodate all sizes or remove shelves for simple cleanup
Reversible door	User-reversible door swing for added flexibility
Professional handle	Stainless steel handle completes the professional look



SCFF1842 Specifications:

Overview	
Height	34.0"
Width	17.75"
Depth	24.0"
Depth with Handle	25.75"
Depth with door at 90°	40.0"
Capacity	2.7 cu.ft.
Defrost Type	Frost-Free
Door	Black
Cabinet	Black
US Electrical Safety	ETL
Canadian Electrical Safety	ETL-C
Energy Usage/Year	378.0kWh/year
Amps	1.1
Voltage/Frequency	115 V AC/60 Hz
Weight	82.0 lbs.
Shipping Weight	100.0 lbs.
Parts & Labor Warranty	1 Year
Compressor Warranty	5 Years
Freezer	
Door Swing	RHD
Reversible	Yes
Interior Height	23.5"
Interior Width	12.75"
Interior Depth	16.75"
Shelf Type	Chrome
Shelf Qty	4
Adjustable Shelves	Yes
Thermostat Type	Digital
Fan Type	Interior and Exterior
Refrigerant Type	R134a
Refrigerant Amount	3.9
High Side PSI	270.0
Low Side PSI	103.0
Level Legs	4
Compressor Step Height	4.5"
Compressor Step Width	12.75"

Compressor Step
Depth



SUMMIT APPLIANCE DIVISION FELIX STORCH, INC.

770 Garrison Avenue, Bronx, NY 10474 USA TEL 718-893-3900 FAX 844-478-8799

info@summitappliance.com

www.summitappliance.com