



SCFF1842SSADA



31.38" x 17.75" x 24" (H x W x D)

ADA compliant 18" wide frost-free freezer built-in or freestanding use, with SS door, black cabinet, lock, and digital thermostat

Highlights:

32" height for use under lower ADA compliant counters

Unique 18" width is ideal for small homes and micro-kitchens

Fully frost-free for low maintenance operation

Flexible design allows built-in or freestanding use under counters

Product Features:

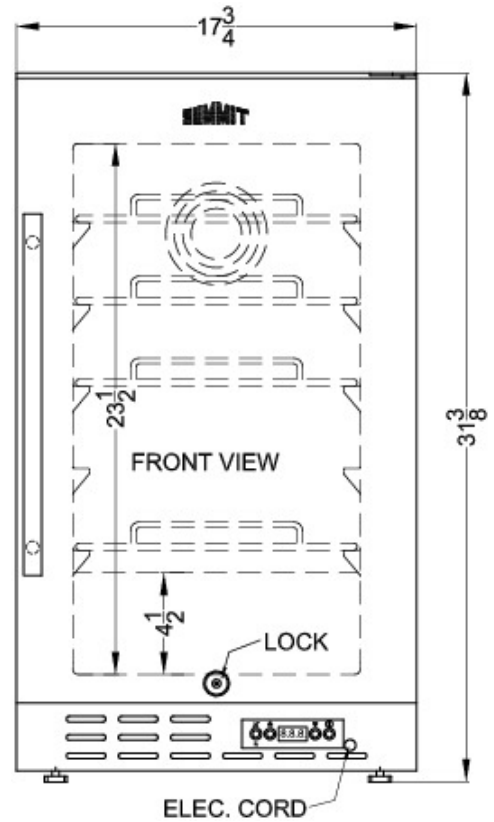
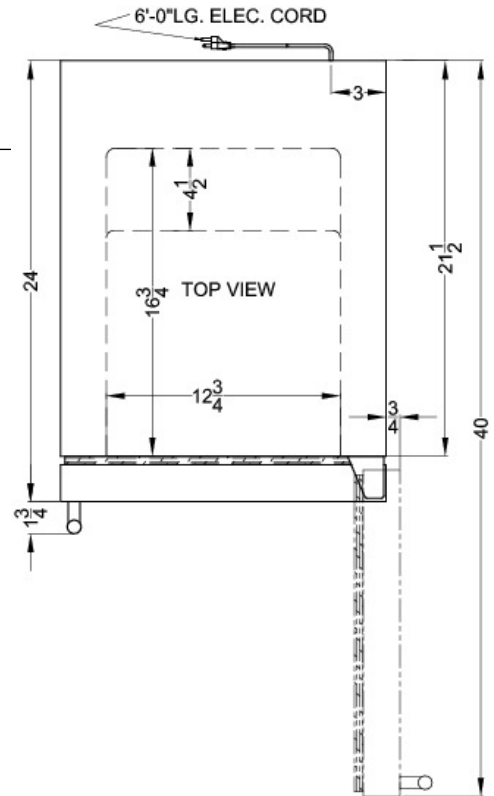
ADA compliant	32" height to fit under lower ADA compliant counters
Built-in capable	Make the best use of space by installing your appliance under the counter
Fully finished black cabinet	Allows the unit to be used freestanding
Factory installed lock	Keyed security on the door
Frost-free operation	Eliminates the need to manually defrost the interior
Digital thermostat	Electronic controls for precise temperature management.
Digital display	Temperature readout can be shown in Celsius or Fahrenheit
Adjustable chrome shelves	Rearrange interior space to accommodate all sizes or remove shelves for simple cleanup
Flush back	Space saving design



SCFF1842SSADA Specifications:

Overview	
Height	31.38"
Width	17.75"
Depth	24.0"
Depth with Handle	25.75"
Depth with door at 90°	40.0"
Capacity	2.7 cu.ft.
Defrost Type	Frost-Free
Door	Stainless Steel
Cabinet	Black
US Electrical Safety	ETL
Canadian Electrical Safety	ETL-C
Energy Usage/Year	378.0kWh/year
Amps	1.1
Voltage/Frequency	115 V AC/60 Hz
Weight	90.0 lbs.
Shipping Weight	110.0 lbs.
Parts & Labor Warranty	1 Year
Compressor Warranty	5 Years
Freezer	
Door Swing	RHD
Reversible	Yes
Interior Height	23.5"
Interior Width	12.75"
Interior Depth	16.75"
Shelf Type	Chrome
Shelf Qty	4
Adjustable Shelves	Yes
Thermostat Type	Digital
Fan Type	Interior and Exterior
Refrigerant Type	R134a
Refrigerant Amount	3.9
High Side PSI	270.0
Low Side PSI	103.0
Level Legs	4
Compressor Step Height	4.5"
Compressor Step Width	12.75"

Compressor Step
Depth



SUMMIT APPLIANCE DIVISION FELIX STORCH, INC.

770 Garrison Avenue, Bronx, NY 10474 USA TEL 718-893-3900 FAX 844-478-8799

info@summitappliance.com



www.summitappliance.com