



TEM630BKWY



44" x 24" x 24" (H x W x D)

Deluxe 220V electric range in slim 24" width with stainless steel doors

Highlights:

Slim 24 inch wide electric range fits easily in small kitchens

Stainless steel oven door and kickplate with professional handles for a true modern look

Oven window includes light for easy baking

Deluxe backguard includes digital clock and timer

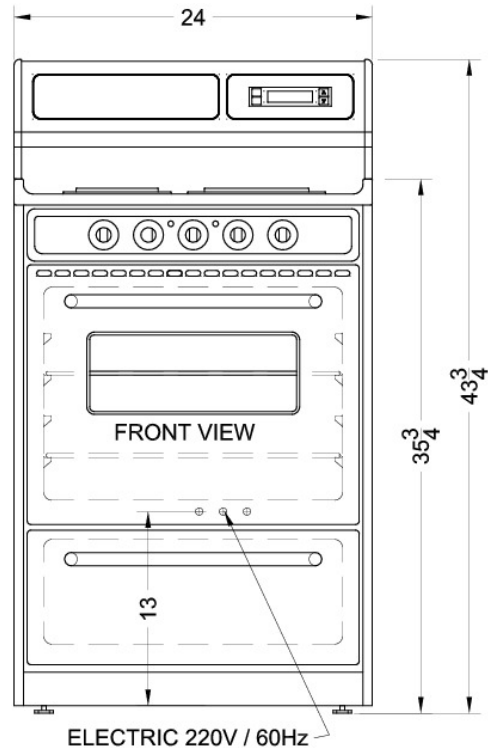
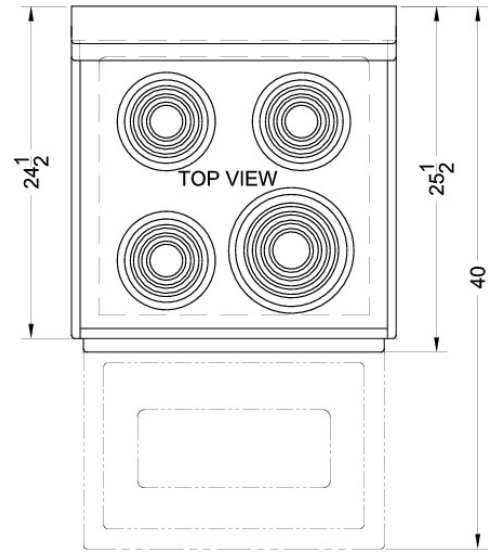
Product Features:

220V Electric range	Includes one 8" and three 6" coil elements
Slim 24 inch width	Apartment sized to fit in small or galley kitchens
Black porcelain range top	Removable top and door made from solid porcelain
Stainless steel oven door	Added style with incredible durability
Storage compartment	Bottom drawer for cookware storage
Oven window with light	Provides a convenient and full-lit view of oven contents
Stainless steel toe plate	Completes the look for full-length luxury
Professional stainless steel handles	Curved towel bar style handles are easy to grip and elegant to view
Deluxe backguard	High backguard to protect wall from back splashes



TEM630BKWY Specifications:

Overview	
Height	44.0"
Width	24.0"
Depth	24.0"
Door	Stainless Steel
Cabinet	Black
Voltage/Frequency	220 V AC/60 Hz
Weight	135.0 lbs.
Shipping Weight	155.0 lbs.
Parts & Labor Warranty	1 Year
Electric Range	
Oven Capacity	2.92cu.ft.
Cooktop Surface	Porcelain
Element Type	Coils
Number of Elements	4
Burner Controls	Dial
Oven Controls	Dial
Oven Light	Yes
Cooking Timer	Yes
Backguard	Yes
Backguard Display	Yes
Oven Window	Yes
Oven Interior Height	14.0"
Oven Interior Width	19.0"
Oven Interior Depth	19.0"



SUMMIT APPLIANCE DIVISION FELIX STORCH, INC.

770 Garrison Avenue, Bronx, NY 10474 USA TEL 718-893-3900 FAX 844-478-8799

info@summitappliance.com



www.summitappliance.com