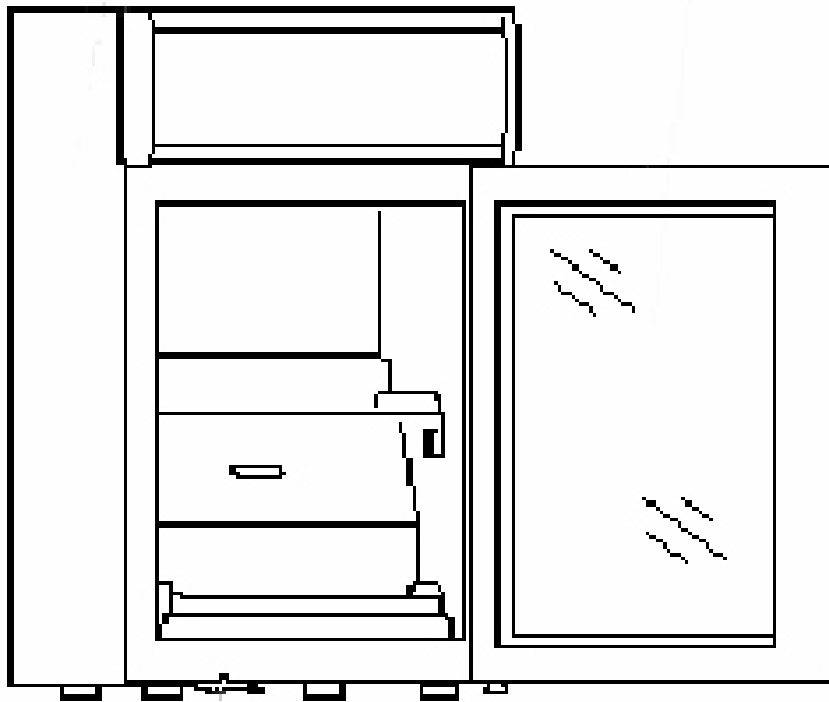


Vinotemp[®]

A PROUD HERITAGE OF EXPERIENCE & QUALITY



BEVERAGE COOLER

VT-BC-1

Vinotemp[®]

WWW.VINOTEMP.COM

O W N E R ' S M A N U A L



YOUR BEVERAGE COOLER

This unit can be used for Storage and/or Service. The cooler has a glass door, display panel for branding, and interior light.

General Operating Instructions

Remove all external and internal packaging from your beverage cooler. Be sure that all parts have been included before discarding any packaging materials. You may want to keep the box and packing materials for use at a later date.

Upon receipt and inspection of unit, the supply cord must be replaced if it is damaged. Contact our customer service at 1-800-777-8466 or info@vinotemp.com.

- Let the unit rest UNPLUGGED for 12 hours once you have it placed in your home.
- Please fully read the instruction manual.

**Please read and follow all safety rules
and operating instructions before using.**

TABLE OF CONTENTS

TABLE OF CONTENTS.....	4
IMPORTANT SAFETY INSTRUCTIONS.....	4
PARTS AND IDENTIFICATION.....	5
ELECTRIC CONNECTION.....	5
INSTALLATION	5
START-UP PROCEDURES	6
LIGHT CONTROL	6
MAINTENANCE.....	6
TROUBLESHOOTING.....	7
CIRCUIT DIAGRAM.....	7
TERMS OF SALE AND WARRANTY	8
SERVICE & IMPORTANT NOTICE.....	9

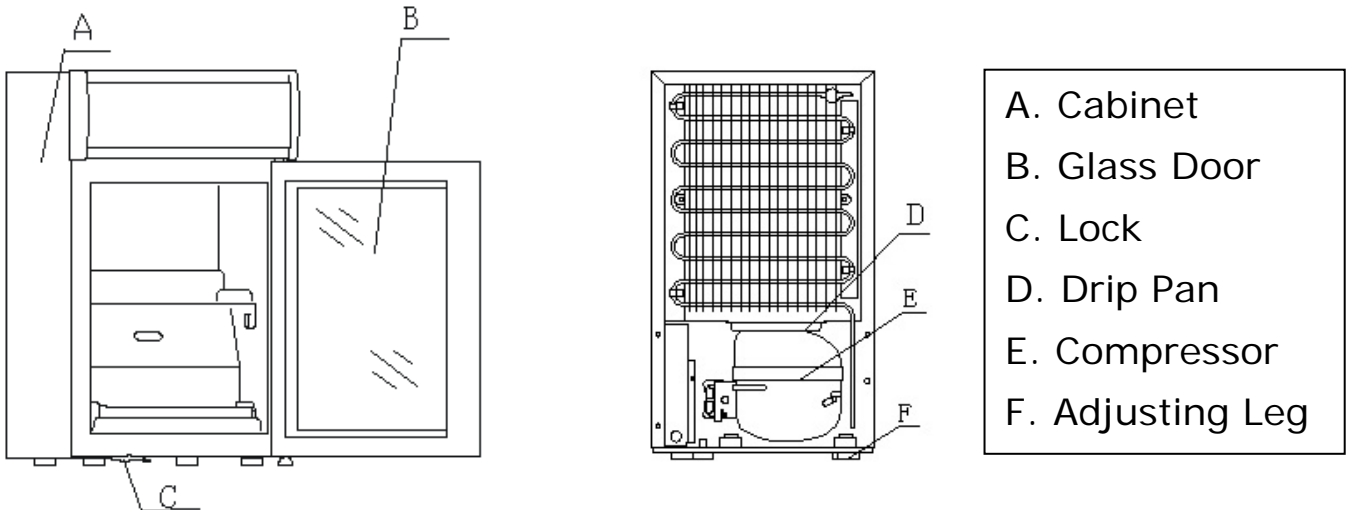
IMPORTANT SAFETY INSTRUCTIONS

To reduce the risk of fire, electric shock, or injury when using your cooler, please note the following basic precautions:

- Use this appliance only as described. Other uses are not recommended and may cause fire, electric shock, or injury.
- This product is intended for freestanding installation and for use in a controlled temperature environment. When ambient temperature is too high or too low, unit may not function properly.
- Do not immerse unit, plug or cord in water or other liquids. Avoid locating the unit in moist areas.
- Never allow children to operate, play with, or crawl inside the unit.
- To disconnect the appliance, grip the plug and pull it from the wall outlet. Never pull by the cord.
- Do not operate the appliance with a damaged cord or plug. If the product malfunctions, or if it is dropped or damaged in any manner, do not use.
- Never clean appliance parts with flammable fluids. Also do not store or use gasoline or any other flammable vapors and liquids in the vicinity of this or any other appliance. The fumes can create a fire or explosion.

WARNING: Risk of child entrapment. Before you throw away this or an old beverage cooler, take off the door and leave the shelves in place so that children may not easily climb inside.

PARTS AND IDENTIFICATION



ELECTRIC CONNECTION

- This unit operate with an 115V~60Hz power supply. Check the electrical outlet for proper voltage.
- **Warning:** Do not plug other electrical appliances into cooler outlet. The coolers are supplied with 8ft length electric cord. Do not use extension cords. Provide an outlet just for the cooler. If the cord is damaged replace it and do not try to repair it.
- For your own safety and for protection of the cooler, verify the existence of the ground circuit in the electrical power supply. In case of doubts, ask the assistance of an authorized electrician.

INSTALLATION

- Remove all the packing material before using your cooler.
- Clean the interior surface with a soft cloth and lukewarm water.
- Locate the cooler in a dry and airy place.
- Coolers transported in the horizontal position, must be returned to the upright position, and not plugged in for 1 hour. **This is essential for proper operation.**
- Cooler transported in the horizontal position requires the drain pan, located on top of the compressor, be checked for proper location.
- Install your cooler on a solid and level surface (other than carpet). This will ensure a vibration and noise-free operation.
- Do not locate the appliance close to walls, this could damage the electric cord and may block the air circulation to the appliance. Keep the cooler a distance of at least 4 inches from wall.
- Do not block the air intake that ventilates the condenser unit.

START-UP PROCEDURES

- Plug the cabinet into the electrical outlet; operate the cooler for at least three hours. This will aid in refrigeration performance.
- Do not adjust the temperature control. The temperature control is factory set to provide maximum performance.

LIGHT CONTROL

- The inside light is controlled by the power. When unit has power, the light will turn on.

MAINTENANCE

Cleaning

- Before cleaning the appliance always remember to unplug it.
- Unplug the cooler at the electrical outlet; never pull the service cord.
- Do not use sharp or pointed objects for cleaning.
- Clean the inside cabinet of the cooler with a clean damp cloth or with neutral soap. Avoid damage by never using abrasive or flammable cleaning products.
- Clean the condenser at least once a month with a vacuum cleaner or a brush to eliminate the dust accumulation.

Light replacement

- Unplug the cooler or cut off power before removing the light.
- Remove the screw.
- Remove the light cover gently.
- Remove the light.
- Replace the light with a bulb of the same size and shape.
- Install the light cover and tighten the screw.

Power failure

- Please minimize the frequency of opening the door during a power failure. Most power failures are corrected within a few hours and the temperature of your cooler will not be affected.
- If the power will be off for an extended period, proper procedure should be followed for the stored cans.

Nonuse for extended time frames

- If your cooler will be unused for an extended period of time, it is best to remove the cans, unplug and clean your cooler. Also please open the door to avoid possible formation of condensation, mold or odors.

Moving the cooler

- Take out all the cans.
- Secure all loose parts inside the cooler.
- Tape the door shut.
- During transportation, make sure that the cooler remains in an upright position.

Drip pan

- When the compressor stops working, water drops will drain through the outlet in the inner back wall into the drain pan (above the compressor).
- If the drain pan needs to be cleaned, pull the drain pan forward gently and reinstall it after cleaning.

TROUBLESHOOTING

If your cooler does not work properly, please note the following suggestions before you attempt to repair.

Cooler does not work:

- Check the electrical outlet for power, and that the plug is properly inserted.
- Check the condenser for proper cleaning.
- The circuit breaker is tripped or the fuse is blown.

Cooler makes too much noise:

- Check that the cooler is level.

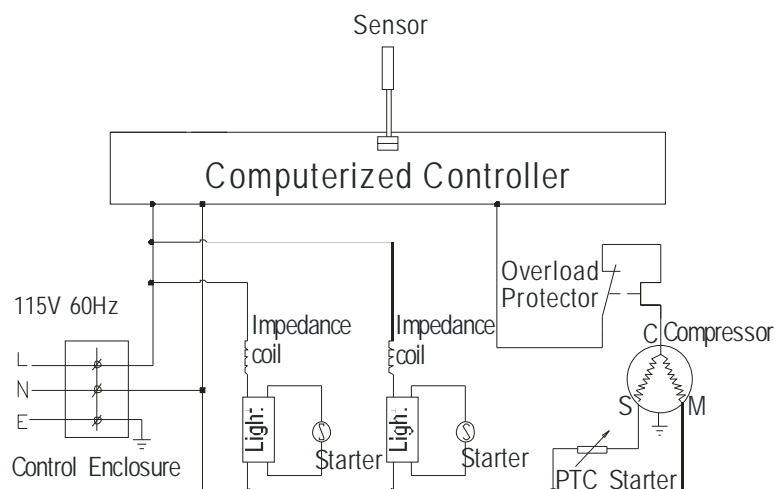
Compressor turns on and off frequently:

- The room temperature is higher than normal.
- The door is not closed completely.
- The door gasket is not sealed well.
- There is insufficient clearance around the cooler.
- The temperature is not set properly.
- The cycling frequency will reduce when all of the cans reach the set temperature.

The following is not a malfunction:

- It is normal to hear gurgling sounds caused by the flow of refrigerant when each cooling cycle ends.

CIRCUIT DIAGRAM



TERMS OF SALE AND WARRANTY

Vinotemp International ("Seller") and the person or entity that acquires these goods from Seller ("Purchaser") hereby fully agree to the following terms and conditions of the sale: Shipping fees are the responsibility of the Purchaser whether freight prepaid or freight collect. Seller assumes no responsibility for the goods sold to the Purchaser once the goods have left the Seller's premises, including, but not limited to, late delivery by the moving carrier, or for events caused by any difficulty carrier incurs in attempting to fit the goods into the Purchaser's place of business or residence due to the size of the goods or otherwise. Purchaser assumes all responsibility for delivery, payment of freight, access, measurement, installation, hook-up, wiring, moving and storage of the goods. The transportation of all goods is subject to the terms and conditions which the moving carrier imposes on Purchaser including, but not limited to, additional charges imposed per flight of stairs, and/or additional charges resulting from the carrier's inability to safely and/or adequately use the building elevator to lift the goods to an upper floor. Any claim for damages incurred during shipment by the carrier of the goods are insured and handled directly with the carrier. Any damages due to manufacture defects will be handled directly with Vinotemp International, subject to the limited warranty.

All sales are final, and unless authorized in writing by the Seller, Purchaser may not return the goods, under any circumstance. If Purchaser refuses to accept the goods, under any circumstance, the Purchaser is liable for the return and cost of freight both ways, and if Seller does take back the goods, there will be a restocking charge that is 35% of the purchase price of the goods. Purchaser must notify Seller of non-conforming goods within four days of delivery, after which time all goods are deemed accepted.

If Purchaser tenders payment with a check that has insufficient funds (NSF), or stops payment on a check or credit card for any reason, Purchaser agrees to pay for all costs associated with the Seller's connection or litigation of such a claim, including without limitation extra damages, court costs and attorneys' fees. Finance charges begin the date of invoice. Collection fees plus NSF fee of 50\$ will be added to your invoice, which you agree to promptly pay. Title to the goods does not pass until payment is received in full by Seller and Seller retains a security interest in the goods until they are paid for in full.

LIMITED WARRANTY: Seller warrants that the goods will be free of defects in materials and workmanship as follows: Metal cabinet wine, beverage, refrigerator and freezer units: parts and labor for cooling system and cabinetry for a period of 12 (twelve) months from date of sale, removal and re-installation of unit is not included in warranty. For a scratch and dent or refurbished unit, warranty is 3 months from your dated invoice (parts for function only, not cosmetic). There is no warranty on parts purchased separately. Purchaser's exclusive remedy is limited, at Seller's option; to repair or replace defective part[s] with either new or factory reconditioned part[s]. Purchaser is responsible for shipping the unit pre-paid to designated facility and Seller will pay return shipping charges in the continental United States for items repaired under warranty within 12 months from date of sale. Improper placement of the unit will void the warranty. This limited warranty does not cover damage due to such things as accident, misuse, abuse, mishandling, neglect, acts of God, fires, earthquakes, floods, high winds, government, war, riot or labor trouble, strikes, lockouts, delay of carrier, unauthorized repair, or any other cause beyond the control of the Seller, whether similar or dissimilar to the foregoing. Seller is not responsible for any damages caused to Seller's property resulting from the good. This limited warranty applies only inside the Continental US. (Alaska, Puerto Rico and Hawaii are not warranted).

Purchaser understands and acknowledges that the goods sold here are wine cellars and/or other similar units which house beverages. Purchaser assumes all risk of using these units, including risk of spoilage, humidity variations, temperature variations, leaks, fire, water damage, mold, mildew, dryness and similar and any other perils that might occur.

Seller is not responsible for incidental or consequential damages, and there are no warranties, expressed or implied, which extend beyond the Limited Warranty described above. The implied warranties of merchantability and of fitness for a particular purpose are hereby expressly disclaimed. Some states do not allow the exclusion of incidental or consequential damages, or a waiver of the implied warranties of fitness and/or merchantability, so the above limitations may not apply to you. This warranty gives you specific legal rights and you may also have other rights which vary from state to state.

In the event of any dispute between Seller and Purchaser arising out of or relating to these terms and conditions or to the goods sold generally, Purchaser must first file a written claim with Seller within ten days of the occurrence giving rise to the claim and wait an additional thirty days for a response before initiating any legal action. The sale and all terms are subject to California law. Any legal proceeding arising out of or relating to these terms and conditions or to the goods sold generally shall be brought solely and exclusively in the County of Los Angeles. In no event may Purchaser initiate any legal proceeding more than six months after the occurrence of the event giving rise to the dispute.

The above terms and conditions are the only ones governing this transaction and Seller makes no oral representations of any kind. These Terms and Conditions can only be modified in writing, signed by both Purchaser and Seller. 07/08

SERVICE & IMPORTANT NOTICE

Upon receipt and inspection of unit, the supply cord must be replaced if it is damaged. Contact our customer service at 1-800-777-8466 or info@vinotemp.com.

The manufacturer has a policy of continuous improvement on its products and reserves the right to change materials and specifications without notice.

WARNING:

**Please do not place the unit within reach of children.
For adult use only.**

Contact info@vinotemp.com with any questions or visit:

www.vinotemp.com



17631 S. Susana Road
Rancho Dominguez, CA 90221
www.vinotemp.com

Vinotemp is a registered trademark of Vinotemp International. All products, features, and services are subject to change without notice. We cannot guarantee the accuracy of the contents of this document. We disclaim liability for errors, omissions, or future changes.

© 2008 Vinotemp International. All rights reserved.