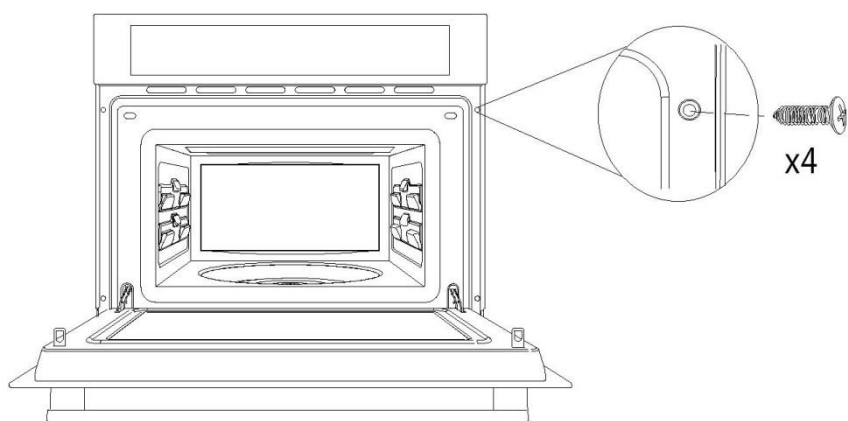
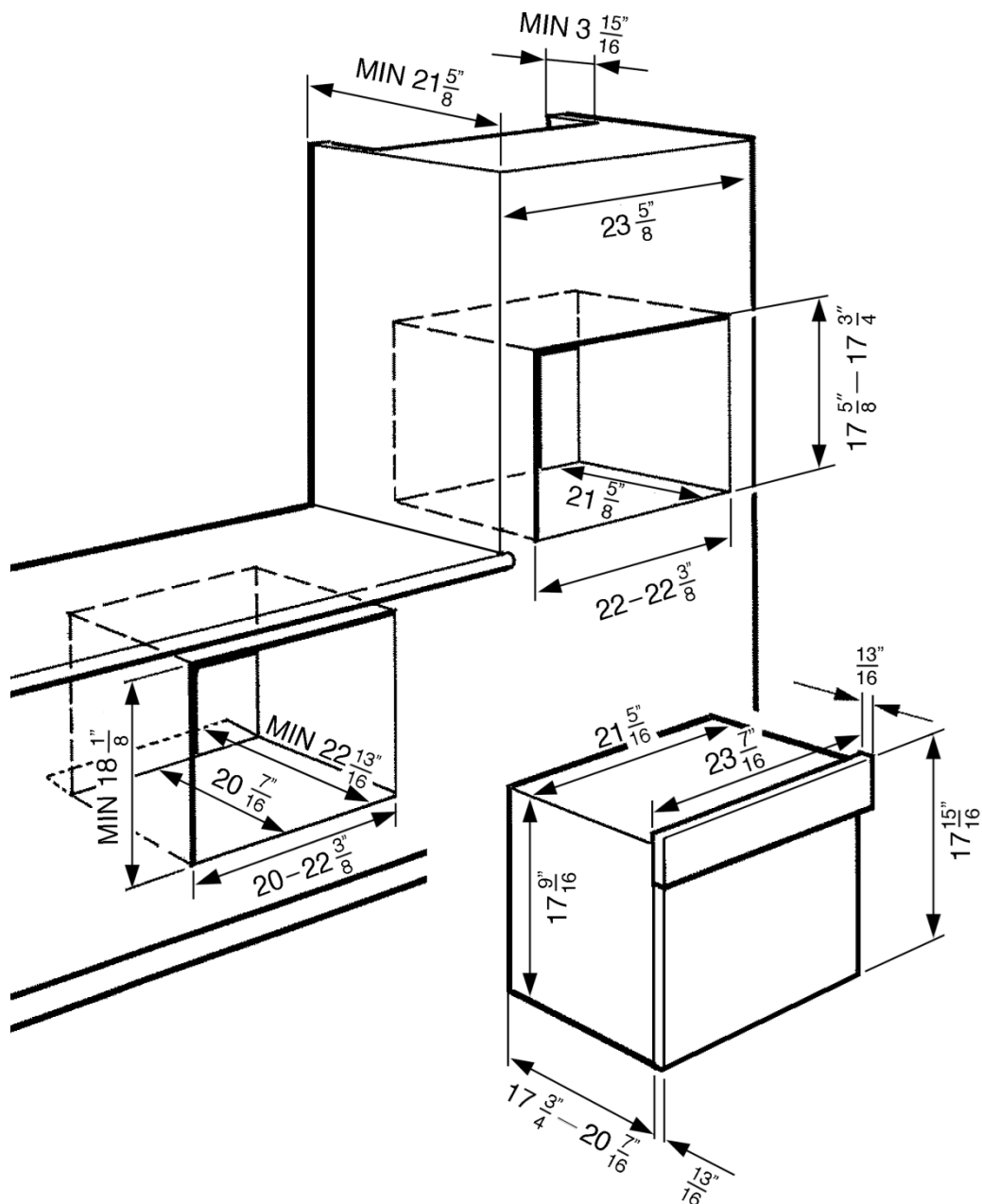


# Installation dimensions



## EN

- Push over completely into the cabinet and center it.
- Open microwave door and fasten the appliance to the cabinet using the four screws provided. Insert the screws through the front holes.