



# FF1843B



34.25" x 17.75" x 23.5" (H x W x D)

18" wide built-in undercounter all-refrigerator in black with digital thermostat and front lock

### Highlights:

Just under 18" wide for an easy fit, with a flush back design to save space

Flexible design allows built-in or freestanding use

Digital thermostat offers precise and convenient temperature control

Adjustable chrome shelves for assorted storage options

### Product Features:

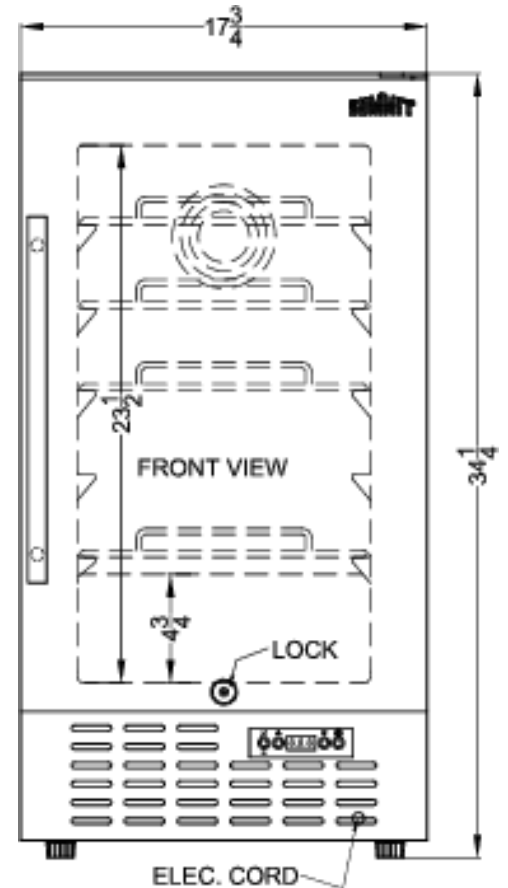
Built-in capable	Make the best use of space by installing your appliance under the counter
Reversible door	User reversible door swing for added flexibility
Factory installed lock	Keyed lock for a secure interior
Automatic defrost	Reduced maintenance with auto defrost system
Digital thermostat	Electronic controls for precise temperature management.
Digital display	Temperature readout can be shown in Celsius or Fahrenheit
LED lighting	Gentle illumination with an on/off switch
Adjustable chrome shelves	Rearrange interior space to accommodate all sizes or remove shelves for simple cleanup
Flush back	Space saving design



## FF1843B Specifications:

Overview	
Height	34.25"
Width	17.75"
Width with Door Open	18.5"
Depth	23.5"
Depth with Handle	25.75"
Depth with door at 90°	40.0"
Capacity	2.7 cu.ft.
Defrost Type	Automatic
Door	Black
Cabinet	Black
US Electrical Safety	ETL
Canadian Electrical Safety	ETL-C
Energy Usage/Year	165.0kWh/year
Amps	1.1
Voltage/Frequency	115 V AC/60 Hz
Weight	90.0 lbs.
Shipping Weight	110.0 lbs.
Parts & Labor Warranty	1 Year
Compressor Warranty	5 Years
Refrigerator Features	
Door Swing	RHD
Reversible	Yes
Shelf Type	Chrome
Shelf Qty	4
Adjustable Shelves	Yes
Thermostat Type	Digital
Fan Type	Interior and Exterior
Refrigerant Type	R600a
Refrigerant Amount	1.06oz.
High Side PSI	150.0
Low Side PSI	50.0
Level Legs Qty	2
Interior Light	Yes
Dimensions	
Interior Height	23.5"
Interior Width	12.75"
Interior Depth	16.75"

Compressor Step Height	4.5"
Compressor Step Width	12.75"
Compressor Step Depth	4.5"



SUMMIT APPLIANCE DIVISION FELIX STORCH, INC.

770 Garrison Avenue, Bronx, NY 10474 USA TEL 718-893-3900 FAX 844-478-8799 info@summitappliance.com www.summitappliance.com