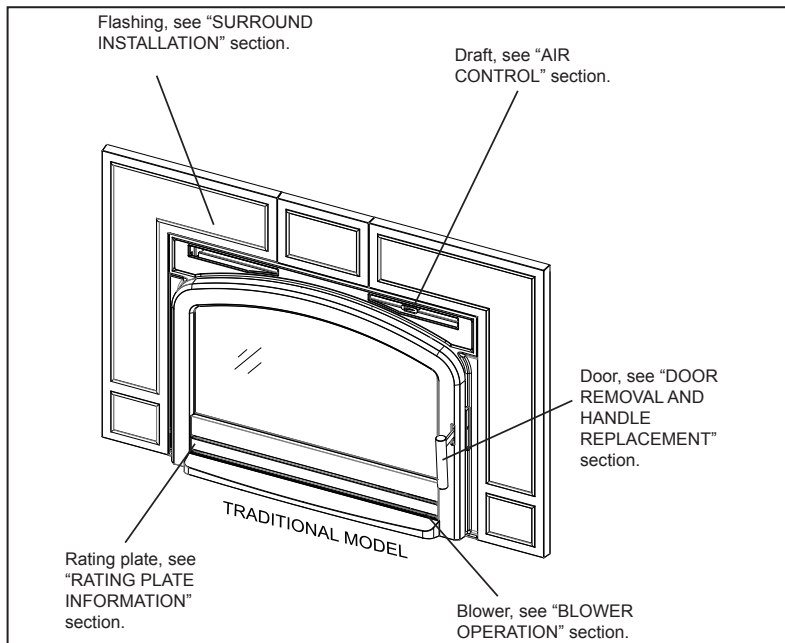


# OAKDALE™ WOOD BURNING INSERT

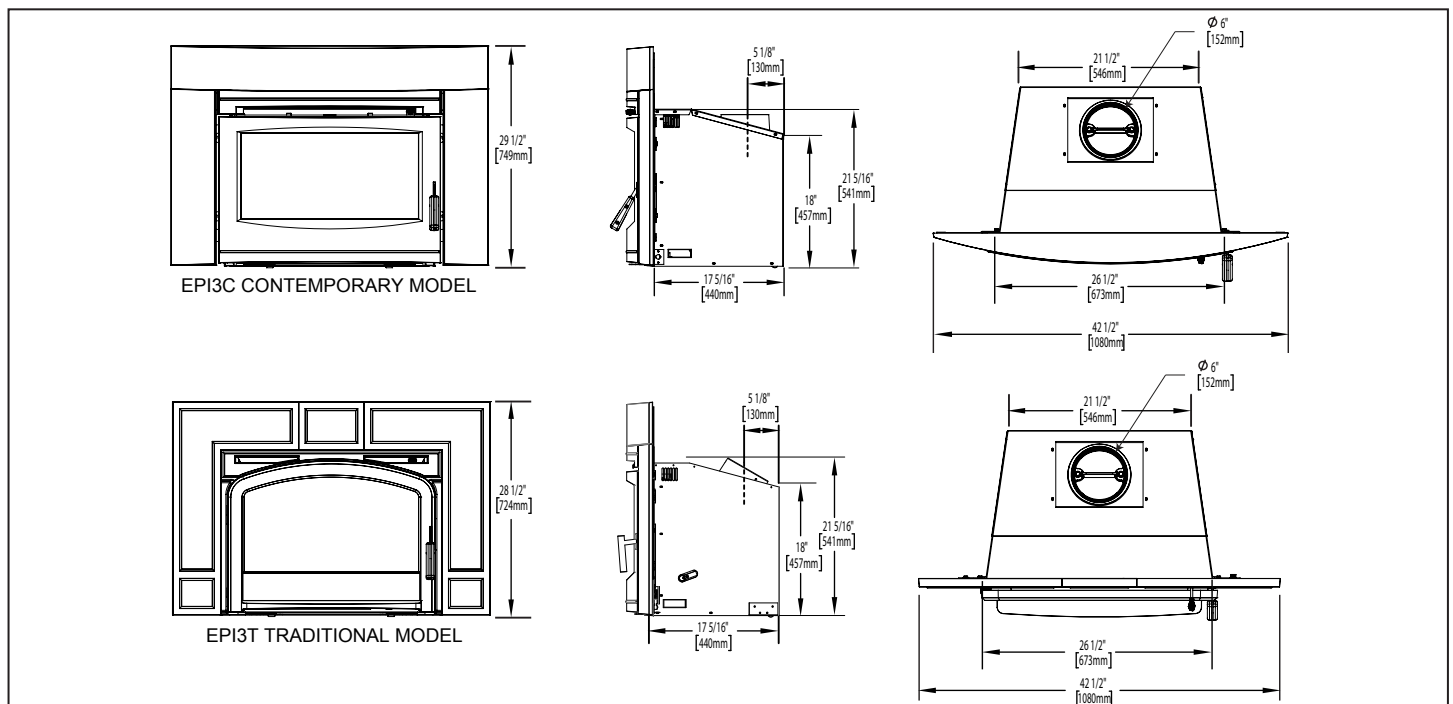
## Specifications

Model	BTU	Width		Height		Depth		Capacity	Glass
		Unit	Chamber	Unit	Chamber	Unit	Chamber		
EPI3C	55,000	26 1/2"	20 7/8"	21 5/16"	11 1/2"	17 5/16"	13 3/4"	1.8 Cubic Feet	12 X 25
EPI3T	55,000	26 1/2"	20 7/8"	21 5/16"	11 1/2"	17 5/16"	13 3/4"	1.8 Cubic Feet	12 X 25

## Overview



## Dimensions



# OAKDALE™ WOOD BURNING INSERT

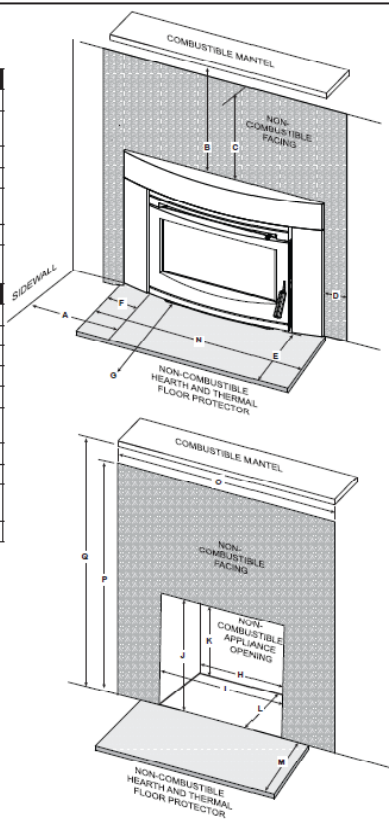
## Clearances

### Minimum Clearances to Combustibles

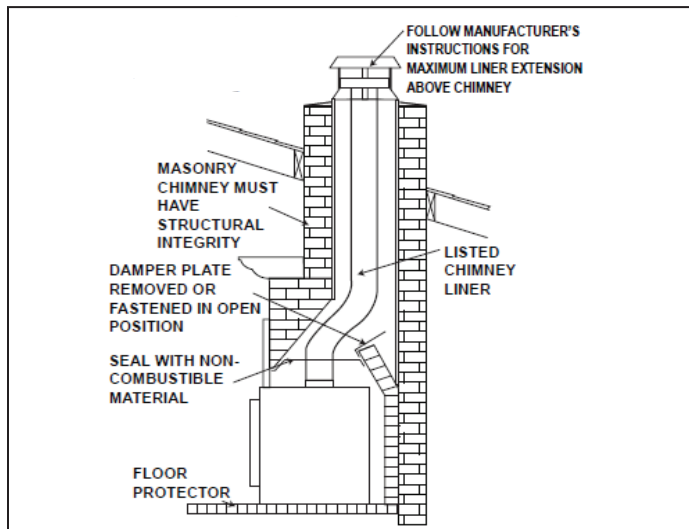
MINIMUM CLEARANCES		
A	Sidewall	12" (305mm)
B	Mantel	16" (406mm) 12" (305mm) Projection
C	Top facing	16" (406mm)
D	Side facing	6" (152mm)
E	Hearth (front)	Canada 18" (457mm) US 16" (406mm)
F	Hearth (side)	8" (203mm)
G	In front of insert	48" (1219mm)
MINIMUM APPLIANCE OPENING		
H	Width (rear)	23" (584mm)
I	Width (front)	28" (711mm)
J	Height (front)	22" (559mm)
K	Height (rear)	19" (483mm)
L	Depth	18" (457mm)
M	Hearth depth	Canada 18" (457mm) US 16" (406mm)
N	Hearth width	46" (1168mm)
O	Facing width	54" (1372mm)
P	Facing height	46" (1168mm)
Q	Mantel	46" (1168mm)

#### HEARTH EXTENSION / FLOOR PROTECTION:

Must be non-combustible and extend in front of the insert 8" (203mm) on both sides with a minimum thickness of .500" (13mm), a thermal conductivity factor (K) 0.84 and resistance value (R) 0.59.

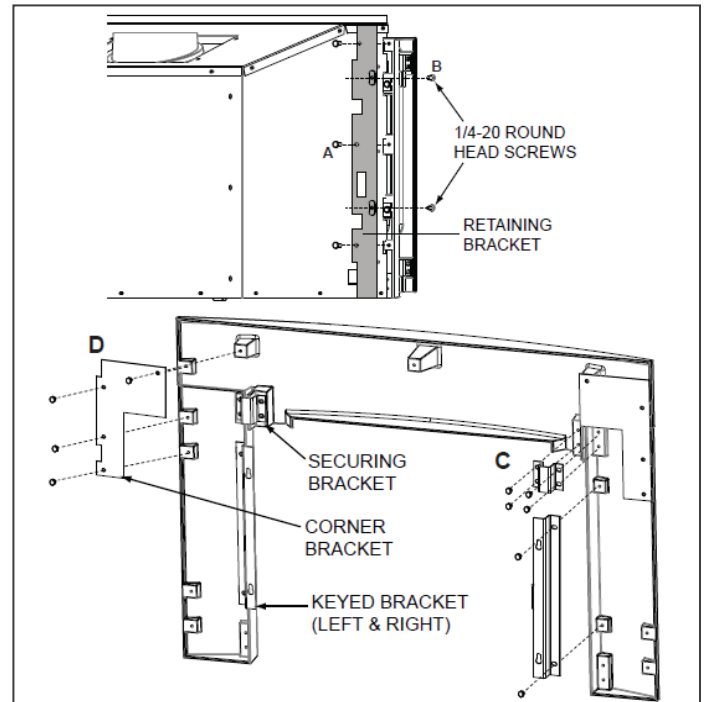


## Typical Existing Masonry



Product information provided is not complete and is subject to change without notice. Please consult the installation manual for the most up to date installation information.

## Surround Install Contemporary Cast



## Surround Install Traditional Cast

