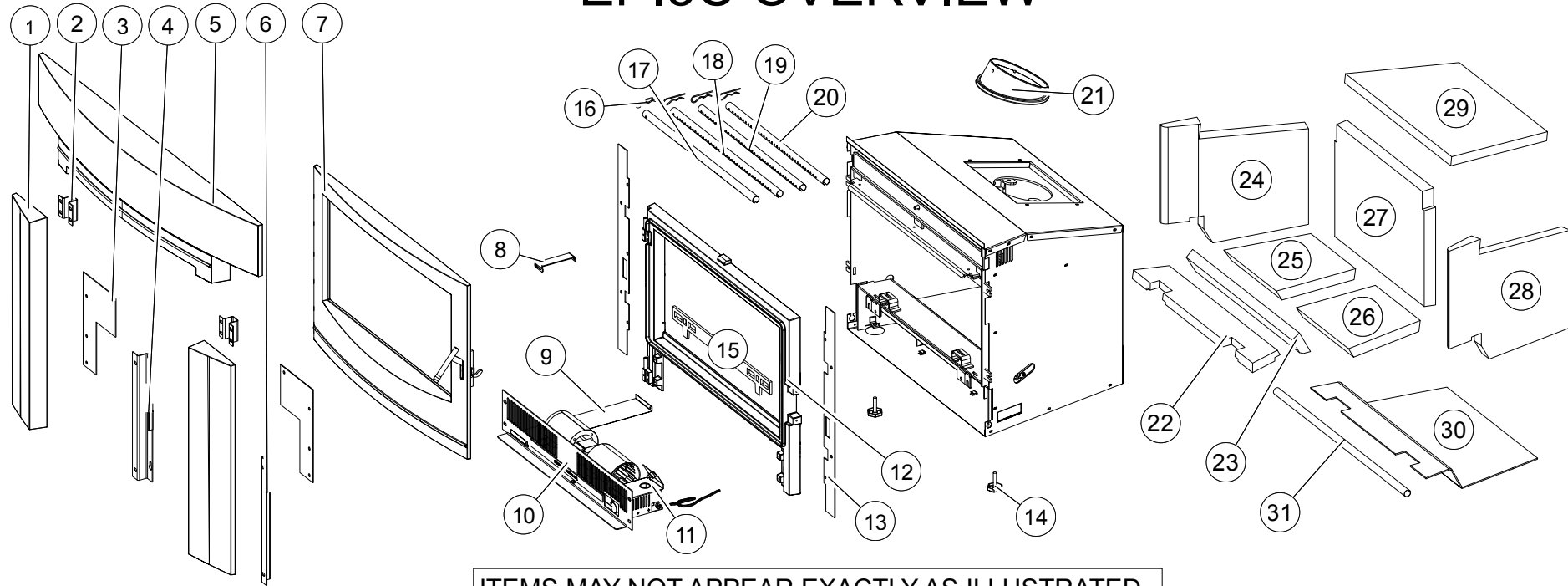


EPI3C OVERVIEW



ITEMS MAY NOT APPEAR EXACTLY AS ILLUSTRATED.

REF. NO.	PART NUMBER	DESCRIPTION
1	W135-0489	SURROUND SIDE TRIM (X2)
2	W080-1234	SURROUND BRACKET (X2)
3	W655-0427	SURROUND SUPPORT (X2)
4	W500-0665	(LS) SURROUND RETAINER
5	W135-0490	SURROUND TOP TRIM
6	W500-0642	(RS) SURROUND RETAINER
7	W010-2855	DOOR ASSEMBLY
8	W190-0053	AIR CONTROL
9	W385-0678	RATING PLATE
10	W200-0356	BLOWER COVER
11	W010-2882	BLOWER ASSEMBLY
12	W135-0488	EPI3C FRONT
13	W500-0639	CASTING RETAINER (X2)
14	N570-0031	LEVELLING SCREWS (X2)
15	W715-0916	LOG RETAINER
16	W485-0047	COTTER PINS (X4)

REF. NO.	PART NUMBER	DESCRIPTION
17	W720-0161	SECONDARY AIR TUBE #1
18	W720-0162	SECONDARY AIR TUBE #2
19	W720-0163	SECONDARY AIR TUBE #3
20	W720-0164	SECONDARY AIR TUBE #4
21	W135-0485	FLUE COLLAR
22	W090-0195	FRONT LEDGE BRICK
23	W090-0196	FRONT BRICK
24	W090-0191	LEFT SIDE BRICK
25	W090-0194	BOTTOM BRICK (LS)
26	W090-0193	BOTTOM BRICK (RS)
27	W090-0190	REAR BRICK
28	W090-0192	RIGHT SIDE BRICK
29	W018-0133	BAFFLE
30	W361-0189	FIREBOX INSULATION
31	W720-0165	PILOT TUBE