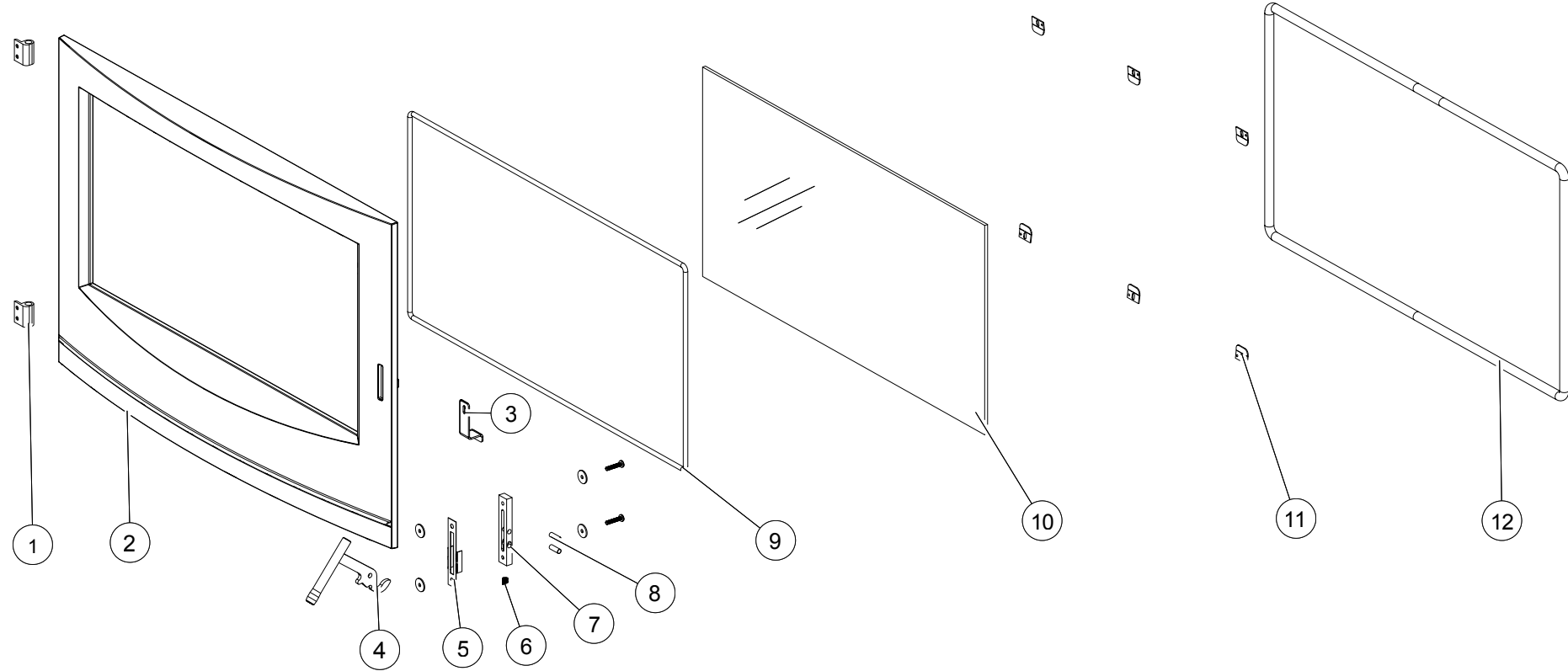


EPI3C DOOR (W010-2855)



ITEMS MAY NOT APPEAR EXACTLY AS ILLUSTRATED

REF. NO.	PART NUMBER	DESCRIPTION
1	W330-0083	UPPER DOOR HINGE (X2)
2	W135-0487	MAIN DOOR
3	W080-1306	FAN SWITCH BRACKET
4	W325-0077	MAIN DOOR HANDLE
5	W500-0700	PIN RETAINER
6	W630-0024	SPRING
7	W060-0012	DOOR LATCH BLOCK

REF. NO.	PART NUMBER	DESCRIPTION
8	W485-0052	DOWEL PINS (X2)
9	W562-0043	1/4" ROPE GASKET
10	W300-0150	DOOR GLASS
11	W500-0709	GLASS RETAINERS (X6)
12	W562-0002	1/2" ROPE GASKET