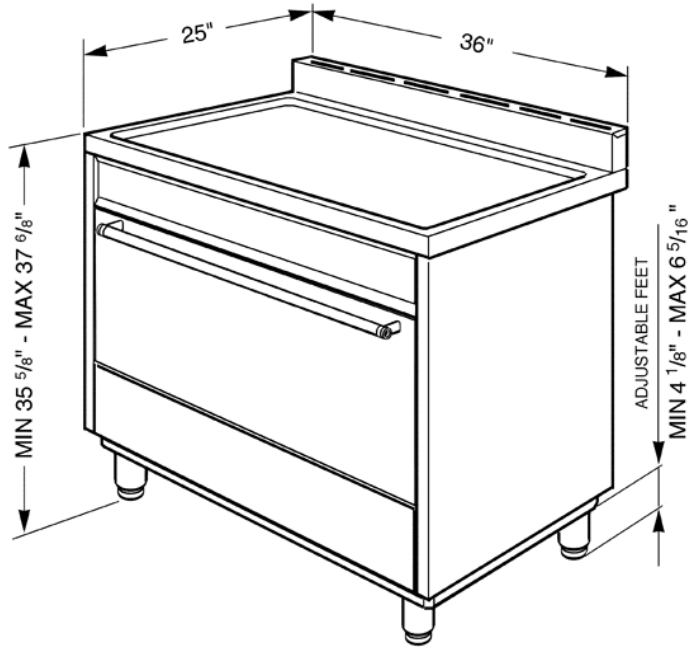




C36GGRU

Free-Standing Gas Range, 36",
Red
EAN13: 8017709215194



- Exclusive professional style • Sturdy American control knobs • 4" Polished stainless steel backsplash • **Gas Oven** • 3 Cooking modes • Gas Convection mode • Broil mode • Defrost mode • Fan option for static gas • "Ever-clean" enamelled oven interior • 4 Shelf positions • Air cooled triple glazed removable door • 2 Lights oven lights • Oven capacity: 4.4 Cu. Ft • Gas broil element: 19,000 BTU • Gas bake element: 18,000 BTU • **Gas Rangetop** • Heavy duty cast iron grates • Full width grates • Sealed burners • Automatic electronic ignition • Safety valves • LP Gas conversion kit included • **6 Gas Burners:** • Front right: 6,200 BTU rapid burner • Back right: 10,000 BTU rapid burner • Front center: 3,400 BTU burner • Back center: 15,000 BTU burner • Front left: 6,200 BTU burner • Back left: 3,400 BTU burner • **Safety** • Automatic re-ignition when flame is accidentally extinguished • Valved gas oven • Ventilated door with cooling system to prevent overheating • Anti-tilting norms satisfied • Suitable for building-in • Connected load nominal power 120V • Amp supply required @120V: 1.2 Amp • Voltage rating: 120V 60Hz • Gas inlet location: back top right • **Accessories Included:** • 1 Baking tray • 1 Chrome shelf • 1 Wire rack • 1 Wok ring • 1 Moka ring • **Optional Accessories:** • "Classic" control knob kit

Options

- KIT136XU - Island trim