



Assembly Instructions: SEDONA L400CART L500CART & L600CART

Sedona Freestanding Cart Model L400CART, L500CART & L600CART

Introduction:

Your Freestanding Cart comes with all of the components necessary to assemble a cart for the SEDONA Series of Lynx Grills.

The SEDONA CART series is comprised of 8 sub assemblies:

1. Back Panel Assembly
2. Right Side Panel Assembly with Shelf
3. Left Side Panel Assembly with Shelf
4. Base Assembly with Wheels
5. Inner Shelf Assembly
6. Cross Brace Assembly
7. Right Door
8. Left Door

In addition there are 14 screws (1/4 -20 x 1/2) to assemble the cart and grill and 4 screws with nuts (#8-32 x 3/8) to attach the transformer assembly supplied with the Grill.

Step 1.

After opening and identifying the components, select the back panel assembly and either the right or left side panel assembly. Orient the parts as shown in the illustration for **step 1**.

Note that these parts are upside down with the shelves at the floor. Hook the right or left side to the back into the four keyways located on the edge. When attached all four keyways should be engaged and the back and side flush to the top.

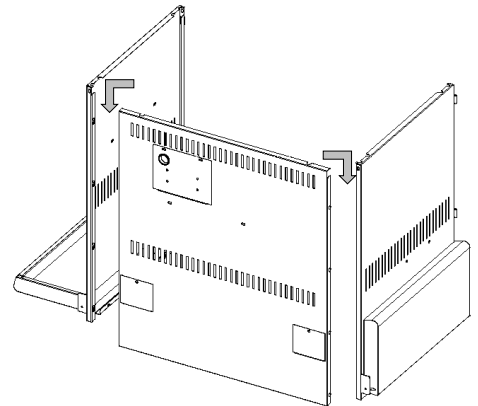
Repeat this step for the opposite side panel.

Step 2.

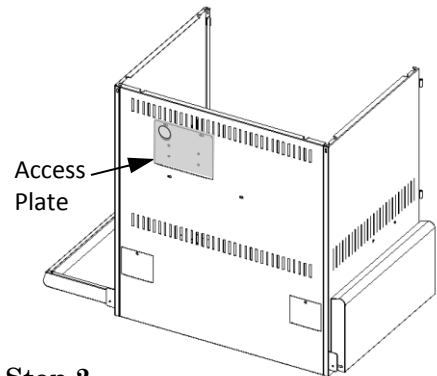
With the cart oriented upside down, locate the 4 - #8 screws and nuts and mount the electrical transformer to the access plate shown in the illustration for this step. It may be done at the end of the assembly but is somewhat easier to access at this stage.

Step 3.

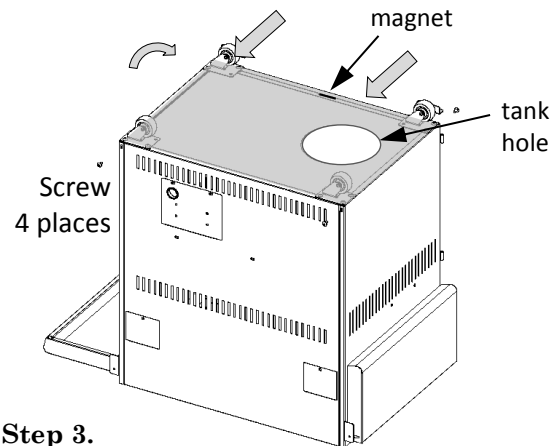
Refer to the figure for **step 3** and insert the base assembly into the cavity at the back corners of the cabinet. Check that the tank hole is positioned as shown and the magnet is located on the open side. Splay the two sides out slightly and enclose them over the front of the base. The sides and back have pockets that fit over the casters for clearance. Use 4 of the 1/4-20 x 1/2 screw at each corner to lock the assembly in place.



Step 1.



Step 2.



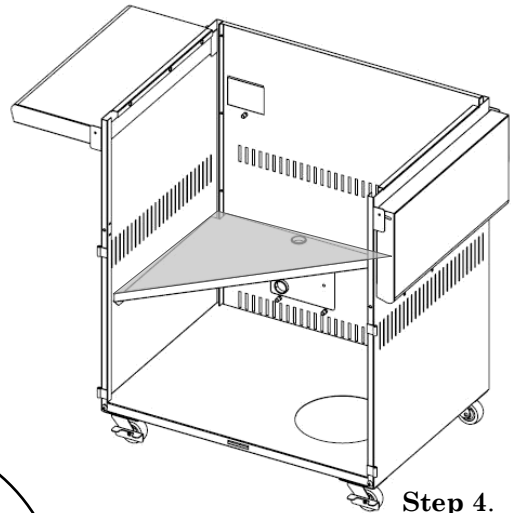
Step 3.

Step 4.

To begin **step 4** turn the cabinet upright to secure the Inner Shelf Assembly. The **L400** and **L500** shelf will only assemble as shown at the right with the electrical hole to the rear and the screws mounting at the back and left side. The shelf is not only useful but necessary for the proper stability of the cart. *DO NOT* omit the inner shelf or any part in these instructions.

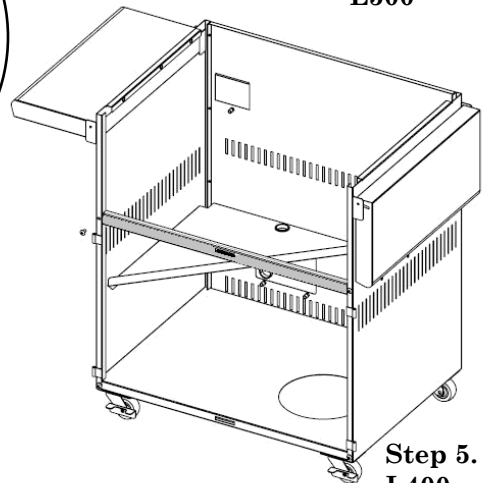
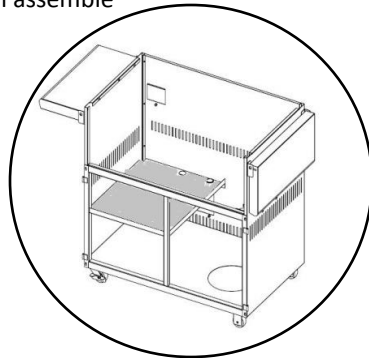
The inner shelf is secured by 4 of the $\frac{1}{4}$ -20 x $\frac{1}{2}$ screws. Two through the back and two through the left side.

The **L600** shelf as shown here will assemble the same as above.



Step 4.
L400
L500

Step 4.
L600

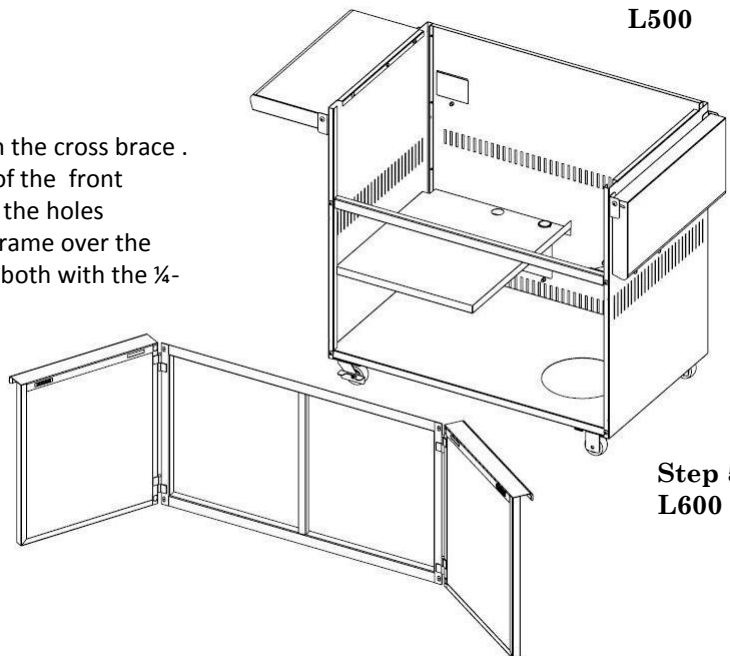


Step 5.
L400
L500

Step 5.

Step 5 is the last assembly on the **L400/L500** cart before installing the Grill to the cart. The cross brace fits into recesses located at the front edge of the cart above the hinge brackets. Orient the brace with the center magnet facing forward and positioned such that the magnet is higher than center rather than lower. Install the brace from the backside of the flanges and align the nutserts at each end with the holes provided for the screws. The brace is secured by 2 of the $\frac{1}{4}$ -20 x $\frac{1}{2}$ screws.

The **L600** door frame is attached along with the cross brace . Support the cross brace from the backside of the front flanges. Align the nutserts at each end with the holes provided for the screws. Position the door frame over the nutserts and cross brace , and secure them both with the $\frac{1}{4}$ -20 x $\frac{1}{2}$ screws.



Step 5.
L600

Step 6.

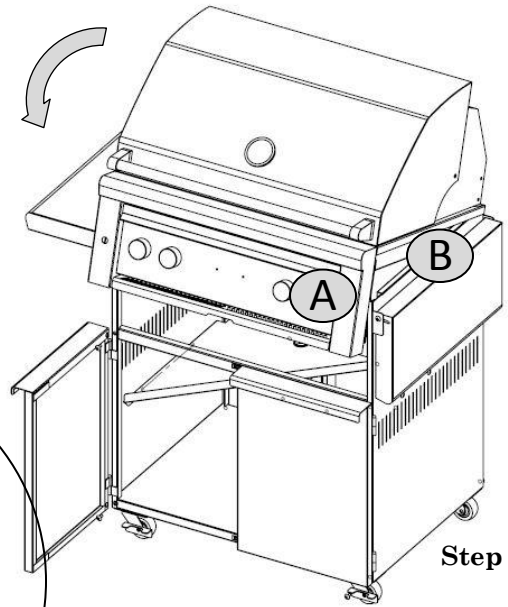
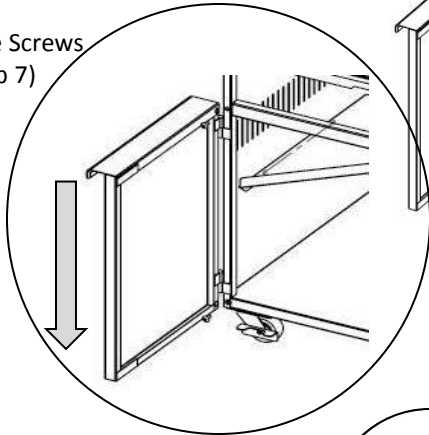
With assistance, remove all packing materials from the grill. Also remove the grates and warming racks to lighten the assembly. The grill will be placed onto the cart as illustrated in this step. The back edge will engage first and the front will slide down into position until horizontal.

Using at least two people – with gloves - grasp the front and side of the Grill at points A and B. Place the unit on the cart and lower it slowly until horizontal.

You may need to loosen the Screws inside the firebox. (See Step 7)

Do not grip grill by the control knobs as damage may occur

Drop the door hinge pins into the corresponding door hinge on the frame.

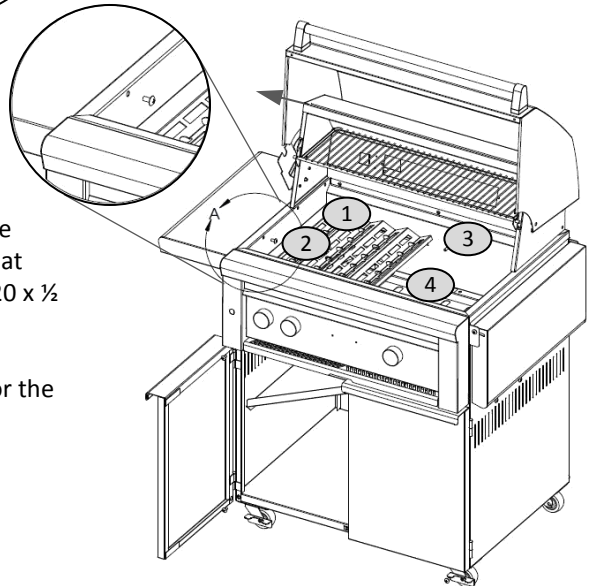


Step 6.

Step 7.

Four screws remain in the package for assembly. To secure the grill to the cart locate 4 screws at the inside corners of the firebox. Remove and discard the 4 screws at these locations. Replace them one at a time with the ¼-20 x ½ screws from the kit.

Refer to the installation manual provided with the grill for the proper electrical and gas connections.



Step 7.