

DV22K6800EW

Samsung 24" Front-Load Electric Dryer

4.0 cu. ft. Capacity DOE

Features

- Smart Care
- Sensor Dry
- 12 Preset Drying Cycles
- 8 Options
- Stainless Steel Drum
- 5 Temperature Settings
- 5 Timed Dry Settings
- 4-Way Venting
- Dryer Drum Light
- Reversible See-Through Door

Convenience

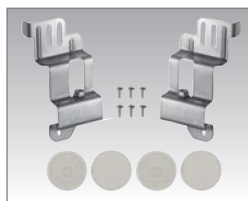
- Child Lock
- Filter Check Indicator



Smart Care



Sensor Dry



Optional Stacking Kit: SK-DH

Available Color:



White

Signature Features

SMART CARE

- Troubleshoot with your smartphone.
- Perform a quick diagnosis of your washer and dryer right from your smartphone.¹

¹ Samsung Smart Washer/Dryer app is available on Google Play and iTunes. Please check app for compatibility with your smartphone before downloading.

SENSOR DRY

- Automatically adjusts drying time by sensing moisture so your clothes don't over- or under-dry.

12 DRYING CYCLES

- Multiple cycles for better drying include:

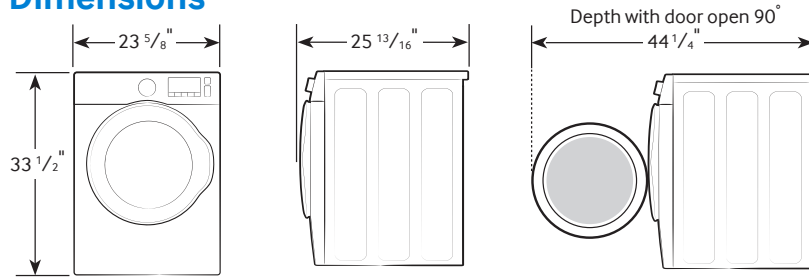
Normal	Heavy Duty	Towels
Permanent Press	Active Wear	Delicates
Wool	Sanitize	Time Dry
Air Fluff	Quick Dry	Wrinkle Release

SAMSUNG

DV22K6800EW

Samsung 24" Front-Load Electric Dryer

Dimensions

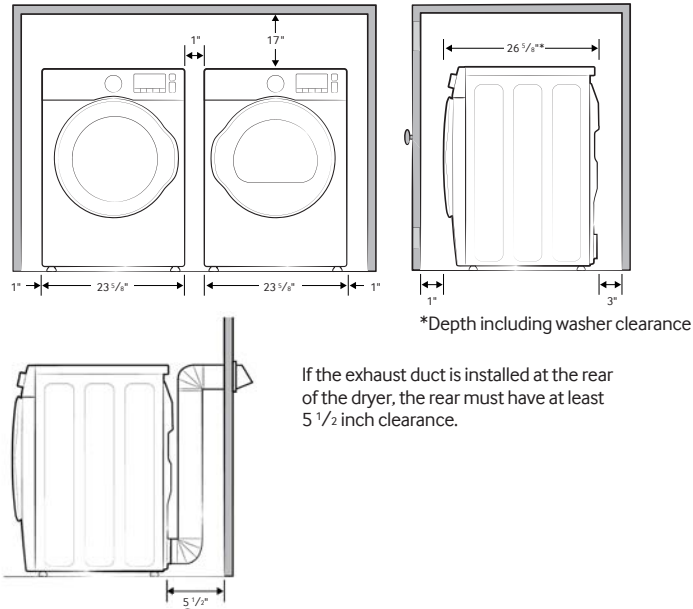


Installation Specifications

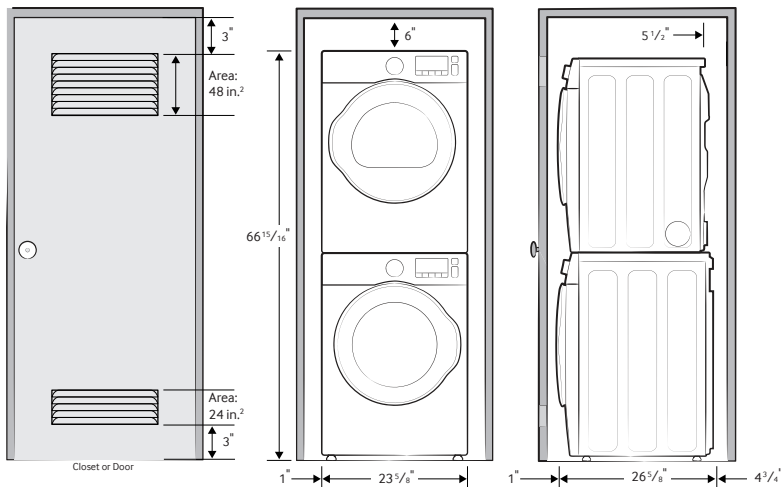
If the washer and dryer are installed together or the dryer alone, the closet front must have two unobstructed air openings for a combined minimum total area of 72 in.² (see stacked build below). Your washer alone does not require a specific air opening.

1. Alcove or closet installation

MINIMUM CLEARANCES FOR CLOSET AND ALCOVE



2. With stacked washer and dryer



4.0 cu. ft. Capacity DOE

4-Way Venting

12 Preset Dry Cycles:

Normal, Heavy Duty, Towels, Permanent Press, Active Wear, Delicates, Wool, Sanitize, Time Dry, Air Fluff, Quick Dry, Wrinkle Release

8 Options:

Mixed Load Bell, Wrinkle Prevent, My Cycle, Adjust Time, Sound, Child Lock, Smart Care, Drum Light

5 Temperature Settings:

High, Medium, Medium Low, Low, Extra Low

5 Dry Levels:

Very Dry, More Dry, Normal Dry, Less Dry, Damp Dry

Warranty

One (1) Year Parts and Labor
One (1) Year Control Board

Product Dimensions & Weight (WxHxD)

Dimensions: 23 5/8" x 33 1/2" x 25 13/16"
Weight: 88 lbs

Shipping Dimensions & Weight (WxHxD)

Dimensions: 26 1/4" x 35" x 27 1/2"
Weight: 93 lbs

Electric

White

Model

DV22K6800EW

UPC Code

887276124537

Matching Washer

White

WW22K6800AW

887276126876

Optional Stacking Kit

Sold separately

SK-DH

887276151052

Optional Side Vent Kit

Sold separately

DV-2A/XAA

887276146416

SAMSUNG

Actual color may vary. Design, specifications, and color availability are subject to change without notice. Non-metric weights and measurements are approximate.

©2016 Samsung Electronics America, Inc. 85 Challenger Road, Ridgefield Park, NJ 07660. Tel: 800-SAMSUNG. samsung.com. Samsung is a registered trademark of Samsung Electronics Co. Ltd.