

# NE58K9850WS

5.8 cu. ft. Flex Duo™ Slide-In Electric Range with Dual Door and WiFi Connectivity

## Features

- Flex Duo™ with Dual Door
- Blue Illuminated LED Knobs
- WiFi Connectivity
- Slide-In Design
- Soft Close Door
- Guiding Light Controls
- Dual Convection Oven
  - Top: Fan Convection
  - Bottom: True Convection
- Large Oven Capacity – 5.8 cu. ft.
  - 2.4 cu. ft. upper
  - 3.3 cu. ft. lower
- Flexible Cooktop – 5 Electric Elements
  - One Triple Burner (6"/9"/12")
  - Two Bridged (7")
  - One Single Burner (6")
  - Warming Center (7")
- Wide View Window
- Gliding Rack
- Warming Drawer: High, Medium, Low



Flex Duo™ Oven



WiFi Connectivity

## Convenience

- Self + Steam Clean
- Temperature Probe
- Auto Oven Light
- Proofing
- Sabbath Mode
- Kitchen Timer
- Delay Start
- Child Safety Lock

## Available Colors



Stainless Steel (shown)



Black Stainless

## Signature Features

### FLEX DUO™ WITH DUAL DOOR

- Flex Duo™ with Dual Door design provides ultimate cooking flexibility.
- Includes two independent temperature controls and convection systems, separated by a removable Smart Divider, so you can cook multiple dishes simultaneously. Plus, you can access just the top compartment or the full oven with the hinged door.

### BLUE ILLUMINATED LED KNOBS

- Visually lets you know if your cooktop is on
- Distinctive blue light can be seen from a distance.

### WIFI CONNECTIVITY

- Remotely monitor your cooktop and control your oven with WiFi capability.
- Cook from anywhere: Use your smart phone to remotely monitor for safety, turn the oven on\* or off, and adjust the time and temperature.

\*As a safety precaution, remote start function only available on the Electric Range.

**SAMSUNG**

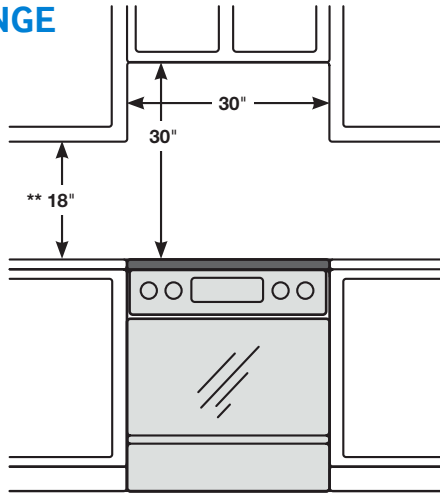
# NE58K9850WS

5.8 cu. ft. Flex Duo™ Slide-In Electric Range with Dual Door and WiFi Connectivity

## INSTALLING YOUR RANGE

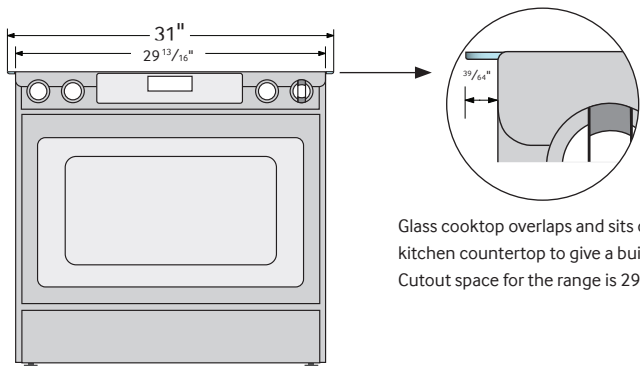
30" minimum clearance between the top of the cooking surface and the bottom of an unprotected wood or metal cabinet; or 24" minimum when the bottom of the wood or metal cabinet is protected by not less than 1/4" flame retardant millboard covered with not less than no.28 MSG sheet steel, 0.015" stainless steel, 0.024" aluminum or 0.020" copper.

\*\* 18" minimum between the countertop and the adjacent cabinet bottom.

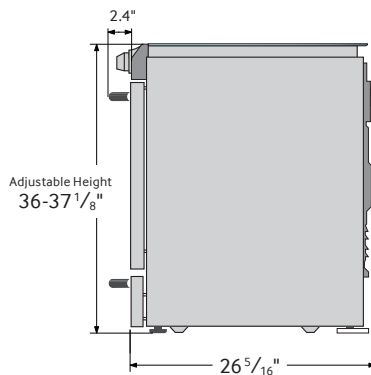


**IMPORTANT:** To eliminate the risk of burns or fire caused by reaching over heated surface units, cabinet storage space located above the surface units should be avoided. If cabinet storage is to be provided, the risk can be reduced by installing a range hood that projects horizontally a minimum of 5" beyond the bottom of the cabinets.

## DIMENSIONS



Glass cooktop overlaps and sits on top of your kitchen countertop to give a built-in look. Cutout space for the range is 29 13/16."



## Radiant Ceramic Cooktop

- Right Front: 6/9/12", 3.0kW
- Left Front: 7", 1.8kW (bridge)
- Right Rear: 6", 1.2kW
- Left Rear: 7", 1.8kW (bridge)
- Center Rear: Warming Center, 7"

## Dual Oven with Smart Divider

- Upper Capacity: 2.4 cu. ft.
- Lower Capacity: 3.3 cu. ft.
- Hidden Bake Element: 3000W
- Bake: 175°F–550°F
- Convection Bake: 175°F–550°F
- Convection Roast: 175°F–550°F
- Variable Broil: Low/High
- Convection Element/Heater: 1250W
- Proofing
- Sabbath Mode

## Warming Drawer

- Capacity: 0.7 cu. ft.
- Heating Performance: 600W (4 pass)
- Temperature Settings: High, Medium, Low

## Warranty

One (1) Year All Parts and Labor  
Five (5) Years Electric Cooktop

## Product Dimensions & Weight (WxHxD)

Outside Net Dimensions:  
31" x 36-37 1/8" (Adjustable) x 26 5/16"

Weight: 220.9 lbs.

## Shipping Dimensions & Weight (WxHxD)

Dimensions:  
33 1/16" x 41 3/4" x 30 5/16"

Weight: 245.2 lbs.

Color	Model #	UPC Code
Stainless Steel	NE58K9850WS	887276132143
Black Stainless	NE58K9850WG	887276144351

**SAMSUNG**

Actual color may vary. Design, specifications, and color availability are subject to change without notice. Non-metric weights and measurements are approximate.

©2016 Samsung Electronics America, Inc. 85 Challenger Road, Ridgefield Park, NJ 07660. Tel: 800-SAMSUNG. samsung.com. Samsung is a registered trademark of Samsung Electronics Co. Ltd.