

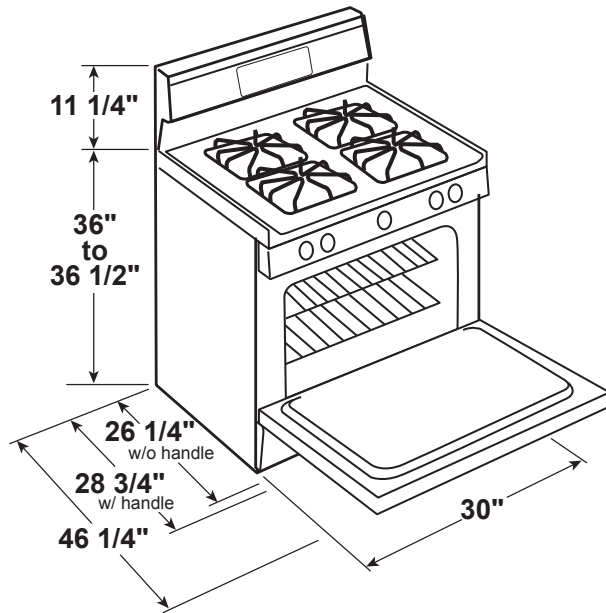
JGBS66DEK

GE Appliances 30" Free-Standing Gas Range

DIMENSIONS AND INSTALLATION INFORMATION (IN INCHES)

ELECTRICAL RATING: 120V, 60Hz, 15A

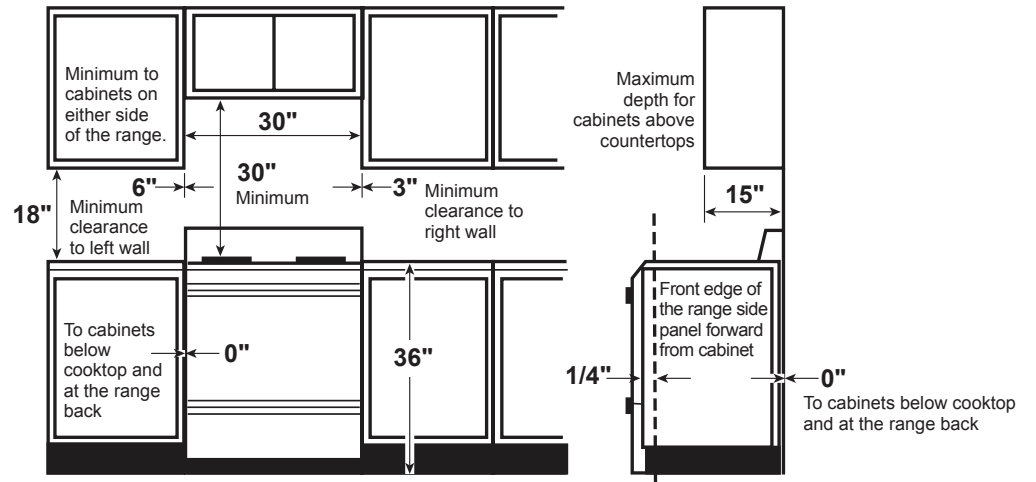
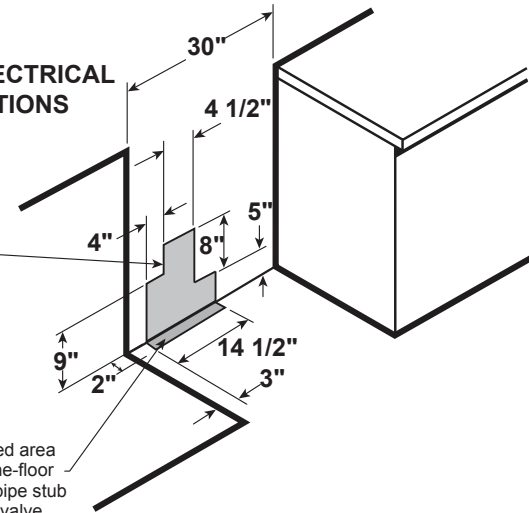
INSTALLATION INFORMATION: Before installing, consult installation instructions packed with product for current dimensional data.



GAS PIPE AND ELECTRICAL OUTLET LOCATIONS

Recommended area for 120V outlet on rear wall and area for through-the-wall connection of pipe stub and shut-off valve.

Recommended area for through-the-floor connection of pipe stub and shut-off valve.



For answers to your Monogram, GE Café™ Series, GE Profile™ Series or GE Appliances product questions, visit our website at geappliances.com or call GE Answer Center® Service, 800.626.2000.



All GE ranges are equipped with an Anti-Tip device. The installation of this device is an important, required step in the installation of the range.



JGBS66DEK

GE Appliances 30" Free-Standing Gas Range

FEATURES AND BENEFITS

Edge-to-edge cooktop – A large cooking surface gives you extra room for pots and pans of all sizes and lets cookware move easily from burner to burner

Extra-large integrated non-stick griddle – Cook up to six grilled cheeses at once on the industry's largest integrated griddle

15,000 BTU Power Boil burner – Delivers high heat for fast boiling

Center oval burner – Large oval fifth burner is ideal for griddle cooking

Steam clean – Save time and effort by steam-cleaning the oven after cooking. No special water, kits or extra steps required.

Precise Simmer burner – Delicate foods don't burn with low, even heat

Heavy duty, dishwasher-safe grates – Easily and safely clean grates in the dishwasher

5.0 cu. ft. oven capacity – Cook more dishes at once

Sealed cooktop burners – Contain spills and make cleaning quick and easy

Deep-recessed cooktop – Contains spills for quick and easy cleaning

Model JGBS66DEKWW – White on white

