



Dryers

Owner's Manual

Safety Instructions 2-3

Operating Instructions .. 4-11
 Control Panels 5-7
 Dryer Features 8
 Loading and Using the Dryer..... 10
 Venting the Dryer 11

Troubleshooting Tips ... 12, 13

Consumer Support
 Consumer Support 16
 Warranty 15



As an ENERGY STAR® partner, GE has determined that this product meets the ENERGY STAR® guidelines for energy efficiency.

Write the model and serial number here:

Model # _____

Serial # _____


You can find them on a label on the front of the dryer behind the door.



234D2431P001
 49-90536-1 04-15 GE Printed in Mexico

IMPORTANT SAFETY INFORMATION.

READ ALL INSTRUCTIONS BEFORE USING.

 This is the safety alert symbol. This symbol alerts you to potential hazards that can kill you or hurt you and others. All safety messages will follow the safety alert symbol and the word "DANGER", "WARNING", or "CAUTION". These words are defined as:

 **DANGER**

Indicates a hazardous situation which, if not avoided, **will** result in death or serious injury.

 **WARNING**

Indicates a hazardous situation which, if not avoided, **could** result in death or serious injury.

 **CAUTION**

Indicates a hazardous situation which, if not avoided, **could** result in minor or moderate injury.

IMPORTANT SAFETY INSTRUCTIONS

 **WARNING**

To reduce the risk of fire, explosion, electric shock, or injury to persons when using your appliance, follow basic precautions, including the following:

- Read all instructions before using the appliance.
- DO NOT dry articles that have been previously cleaned in, washed in, soaked in or spotted with gasoline, dry-cleaning solvents, or other flammable or explosive substances, as they give off vapors that could ignite or explode.
- DO NOT place items exposed to cooking oils in your dryer. Items contaminated with cooking oils may contribute to a chemical reaction that could cause a load to catch fire.
- DO NOT allow children to play on or in this appliance. Close supervision of children is necessary when this appliance is used near children. Before the appliance is removed from service or discarded, remove the door to the drying compartment.
- DO NOT reach into the appliance if the drum is moving.
- DO NOT install or store this appliance where it will be exposed to the weather.
- DO NOT tamper with controls, repair or replace any part of this appliance or attempt any servicing unless specifically recommended in the user maintenance instructions or in published user repair instructions that you understand and have the skills to carry out.
- DO NOT use fabric softeners or products to eliminate static unless recommended by the manufacturer of the fabric softener or product.
- DO NOT use heat to dry articles containing foam rubber or similarly textured rubber-like materials.
- Clean lint screen before or after each load. DO NOT operate the dryer without the lint filter in place.
- Do not store combustible materials, gasoline or other flammable liquids near the dryer. Keep area around the exhaust opening and adjacent surrounding areas free from the accumulation of lint, dust and dirt. Keep dryer area clear and free from items that would obstruct the flow of combustion and ventilation air.
- The interior of the appliance and exhaust duct should be cleaned periodically by qualified service personnel.
- Unplug the appliance or turn off the circuit breaker before servicing. Pressing the **Power** or **Start/Pause** button DOES NOT disconnect power.
- DO NOT operate this appliance if it is damaged, malfunctioning, partially disassembled, or has missing or broken parts, including a damaged cord or plug.
- DO NOT spray any type of aerosol into, on or near dryer at any time. Do not use any type of spray cleaner when cleaning dryer interior. Hazardous fumes or electrical shock could occur.
- See "Electrical Connection" located in the Installation Instructions for grounding instructions.

SAVE THESE INSTRUCTIONS

ADDITIONAL GAS DRYER WARNINGS

**WARNING**

For your safety, the information in this manual must be followed to minimize the risk of fire or explosion or to prevent damage, personal injury, or death.

- DO NOT store or use gasoline or other flammable vapors and liquids in the vicinity of this or any other appliance.
- WHAT TO DO IF YOU SMELL GAS:
 - DO NOT try to light any appliance.
 - DO NOT touch any electrical switch; DO NOT use any phone in your building.
 - Clear the room, building, or area of any occupants.
 - Immediately call your gas supplier from a neighbor's phone. Follow the gas supplier's instructions.
 - If you cannot reach your gas supplier, call the fire department.
- Installation and service must be performed by a qualified installer, service agency, or the gas supplier.

State of California Proposition 65 Warnings:

The California Safe Drinking Water and Toxic Enforcement Act requires the governor of California to publish a list of substances known to the state to cause cancer, birth defects or other reproductive harm and requires businesses to warn of potential exposure to such substances.

**WARNING**

This product contains one or more chemicals known to the State of California to cause cancer, birth defects or other reproductive harm.

Gas appliances can cause low-level exposure to some of these substances, including benzene, carbon monoxide, formaldehyde and soot, caused primarily by the incomplete combustion of natural gas or LP fuels. Exposure to these substances can be minimized by properly venting the dryer to the outdoors.

SAVE THESE INSTRUCTIONS

Operating instructions

⚠ WARNING!

To reduce the risk of fire, electric shock, or injury to persons, read the **IMPORTANT SAFETY INSTRUCTIONS** before operating this appliance.

⚠ WARNING



Explosion Hazard

Keep flammable materials and vapors, such as gasoline, away from dryer.
DO NOT dry anything that has ever had anything flammable on it (even after washing).
Failure to do so can result in death, explosion, or fire.

⚠ WARNING

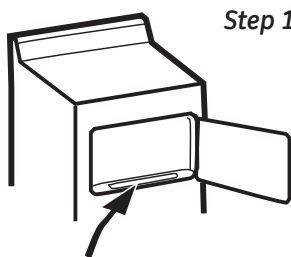


Fire Hazard

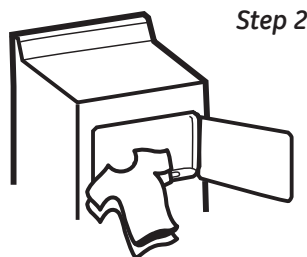
No washer can completely remove oil.
Do not dry anything that has ever had any type of oil on it (including cooking oils).
Items containing foam, rubber, or plastic must be dried on a clothesline or by using an air dry cycle.
Failure to follow these instructions can result in death or fire.

Throughout this manual, features and appearance may vary from your model.

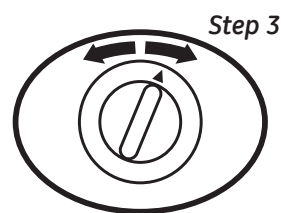
Quick Start Guide



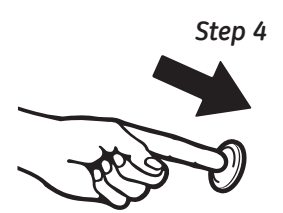
- Clean lint filter



- Add clothes
- Shut door

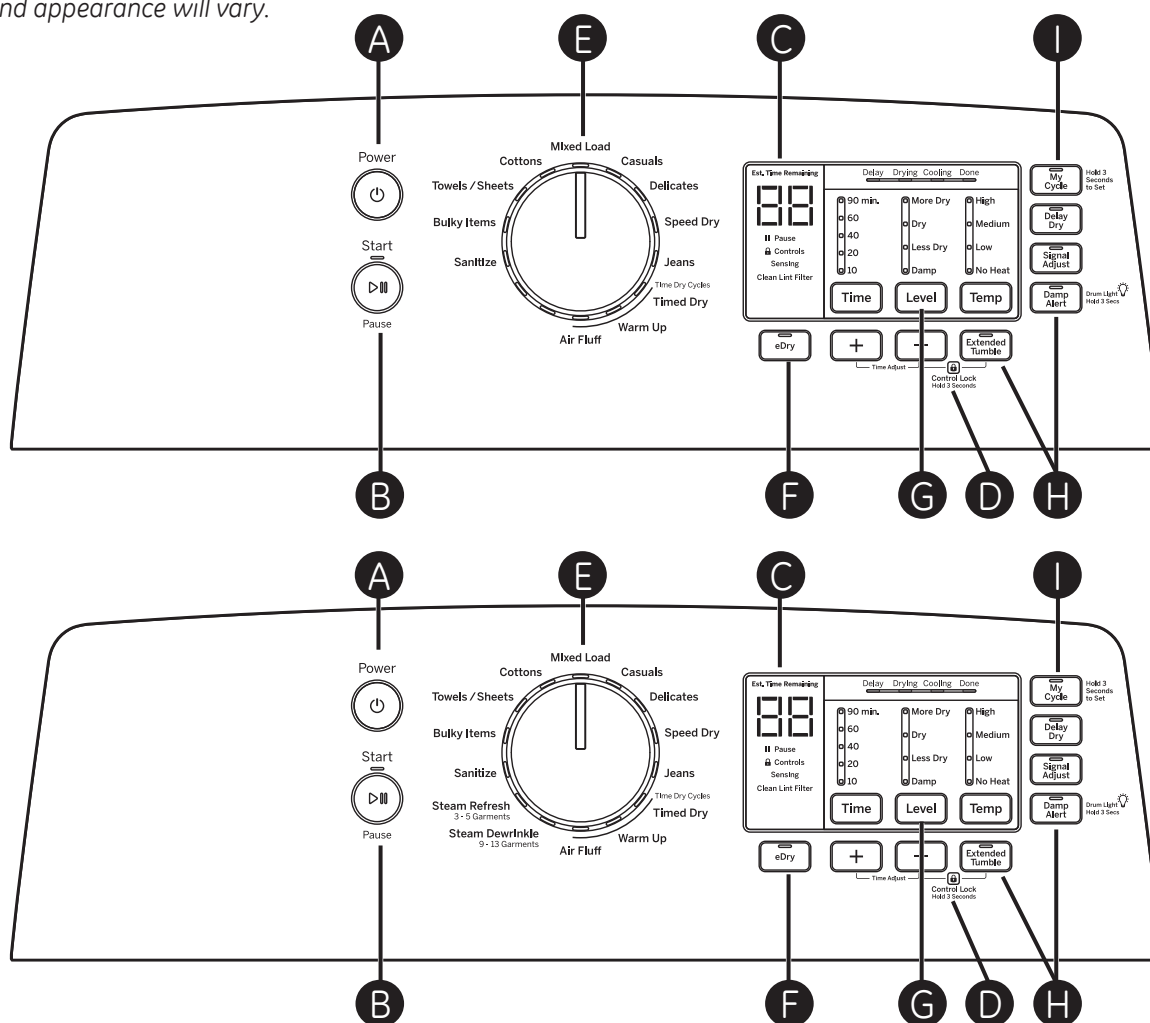


- Select drying cycle



- Push Start

Features and appearance will vary.



- A Power**
Press to “wake up” the display. If the display is active, press to put the dryer into idle mode.
NOTE: Pressing **Power** does not disconnect the appliance from the power supply.
- B Start and Pause**
Press **Start** to begin the cycle. **NOTE:** The door must be closed for the dryer to start the cycle. Pressing **Start** again will pause the cycle, the **Start** light will blink and “**Pause**” will display.
To continue the cycle, press **Start** again.
- C Display and Status Lights**
The display shows the approximate time remaining until the end of the cycle.
In addition, this display will show the dryer status:
 - **Pause** The **Start/Pause** light will flash and the message “**Pause**” will show in the display when the dryer’s cycle is paused. The cycle may be re-started by pressing the **Start** button.
 - **Controls** The dryer is locked - will blink once if you press any button or turn the cycle knob.
 - **Sensing** Indicates the dryer is sensing the level of dampness to determine estimated cycle time remaining.
 - **Clean Lint Filter** The **Clean Lint Filter** light will stay on for 15 seconds after the cycle stops.
- D Control Lock**
You can lock the controls to prevent any selections from being made. Or you can lock the controls after you have started a cycle. Children cannot accidentally start the dryer by touching buttons with this option selected.
To lock/unlock the dryer controls, press and hold the **Extended Tumble** and - (minus) buttons for 3 seconds. The control lock icon will flash while locking/unlocking, stay on when locked, and turn off when unlocked.
NOTE: The **Power** button can still be used when the machine is locked.

Operating instructions

E **Drying Cycles** - Sensor cycles automatically determine fabric dryness. Timed cycles run for the selected time.

Steam Dewrinkle <i>(on some models)</i>	For use with larger loads than Steam Refresh . Ideal for loads left in the dryer for an extended time. Steam Dewrinkle is recommended for 9-13 garments NOTE: Steam cycles are not intended for use with towels. Important - the temperature setting must be set to HIGH and water must be turned on before running the Steam Refresh cycle.
Steam Refresh <i>(on some models)</i>	For slightly wrinkled dry garments. Significantly reduces wrinkles. After the Steam Refresh cycle, the unit will beep (if Signal is selected) and display "00." Steam Refresh is recommended for 3-5 garments NOTE: Steam cycles are not intended for use with towels. NOTE: A single extremely light fabric item may need to have an additional item included in the Steam Refresh cycle to achieve optimum results. Important - the temperature setting must be set to HIGH and water must be turned on before running the Steam Refresh cycle.
Sanitize or Anti-Bacterial <i>(depending on model)</i>	This option reduces certain types of bacteria including: Staphylococcus aureus, Pseudomonas aeruginosa and Klebsiella pneumoniae. The anti-bacterial process occurs when high heat is used during a portion of the drying cycle. NOTE: Do not use this cycle on delicate fabrics.
Bulky Items	For large coats, bed spreads, mattress covers, sleeping bags, and similar large/bulky items such as blankets, comforters, jackets, and small ruga.
Towels/Sheets	For most towels and linens.
Cottons	For cottons and most linens.
Mixed Load	For loads consisting of cottons and poly-blends.
Casuals	For wrinkle-free, permanent press, delicate items and knits.
Delicates	For delicate items, special-care fabrics and knits.
Speed Dry	For small loads that are needed in a hurry, such as sport or school uniforms. Can also be used if the previous cycle left some items damp, such as collars or waistbands. NOTE: On some models, the time remaining in the cycle will show counting down in the display.
Jeans	For jeans.
Timed Dry	Set the Cycle Selector at the desired drying time.
Warm Up	Provides 10 minutes of warming time to warm up clothes.
Air Fluff	Provides 10 minutes of tumbling time with no heat.

F **eDry**

Available for **Bulky Items, Towels/Sheets, Cottons, Mixed Load, Jeans, Casuals** and **Delicates**. When the **eDry** button is pressed, cycle settings change to reduce the total energy consumption of the selected sensor cycle. **NOTE:** Cycle times will change when **eDry** is selected. The **eDry** option will default to **on** for **Cottons**. For optimal energy savings, turn **eDry on**. For optimal drying times, turn **eDry off**. **NOTE:** Energy savings will vary across loads and cycles.

G Settings

Individual settings for cycle minutes (**Time**), dryness level (**Level**) and temperature (**Temp**) can be set from the minimum (lowest in column) to maximum (highest in column). In general, the higher up the column, the more energy will be used. **NOTE:** The selected cycle set **Time** can be further adjusted, in one minute increments, by pressing the **Time Adjust +** (plus) and - (minus) buttons.

Dryness Level-Selection only used for Sensor cycles. Timed cycles run for the selected time.

More Dry	Use for heavy-duty or mixed type fabrics.
Dry	Use for a normal dryness level suitable for most loads. This is the preferred cycle for energy savings.
Less Dry	Use for lighter fabrics.
Damp	For leaving items partially damp.

Temperature

High	For regular to heavy cottons. NOTE: Steam Dewrinkle and Steam Refresh require the High temperature setting.
Medium	For synthetics, blends, delicates and items labeled permanent press.
Low	For delicates, synthetics and items labeled <i>tumble dry low</i> .
No Heat	For fluffing items without heat. For use only with the Air Fluff cycle.

H Extended Tumble

Use this option to minimize the wrinkles in clothes. It provides 1 hour of no-heat tumbling after the clothes are dry. If you are using the cycle **Signal Adjust** and you select the **Extended Tumble** option, a signal will sound at the end of the drying time and several times during the **Extended Tumble** cycle. This will remind you that it is time to remove the clothes.

Damp Alert

This option causes the dryer to beep when clothes have dried to a damp level. Remove items that you wish to hang dry. The **Damp Alert** will only beep when this option is selected (but the dry cycle will keep running). Removing clothes and hanging them when they are damp, can reduce the need to iron some items. The light beside the button will be lit when **Damp Alert** is on.

Drum Light

The drum light will turn on if the **Damp Alert** button is pressed for 3 seconds or the door is opened. It will turn off when the door is shut, the **Damp Alert** button is pressed again for 3 seconds or after 5 minutes if the door is left open.

Delay Dry

Press the **Delay Dry** button to set the delay start time in 1 hour increments up to 24 hours, and then back to clear (0 hours). After selecting the delay start time, press **Start** and the delay time will count down the time remaining until the cycle starts. **NOTE:** To set the amount of delay time faster, you can press and hold the **Delay Dry** button.

Signal Adjust

Use the **Signal Adjust** button to change the volume of the button presses and the end of cycle signal. Press the button until you reach the desired volume or off. The clothes should be removed when the end of cycle signal goes off so wrinkles do not set in.

NOTE:

- Remove garments promptly at the sound of signal. Place clothes on hangers so wrinkles will not set in.
- Use the **Signal Adjust** especially when drying fabrics like polyester, knits and permanent press. These fabrics should be removed so wrinkles will not set in.

I My Cycle

As the cycle selector knob is turned, the **Time** (timed dry), **Level** (dryness level) and **Temp** (temperature) settings change to automatic pre-set default settings. If you desire a different setting, press the appropriate button(s). Then press and hold the **My Cycle** button for 3 seconds and the dryer will "remember" these settings for that Knob Selection. In the future, when you turn the selector knob to that cycle, your settings will be automatically recalled. **NOTE:** Signal volume cannot be set for **My Cycle**.

About the dryer features.

Sensor Dry

Sensor Dry

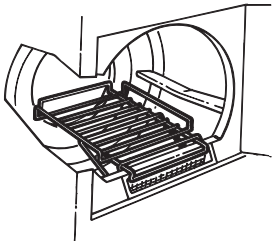
This feature is active in all cycles except **Timed Dry**, **Warm Up** and **Air Fluff**.

The **Sensor Dry** provides greater drying accuracy than standard machines, resulting in shorter dry times and better clothes care. As the clothes tumble, they touch a moisture sensor. The sensor will stop the heating cycle as soon as the clothes have reached the selected dryness.

This dryer will adjust the initial estimated drying time of the sensor dry cycles as it “learns” its installation and usage profile. Please allow several weeks for the dryer to customize itself to “you”.

Drum Light

The drum light is an LED light. Replacement must be done by a qualified technician.



Drying Rack (on some models)

A handy drying rack may be used for drying delicate items such as washable sweaters.

Hook the rack over the lint filter so the rack extends into the dryer drum.

NOTE:

- The drying rack must be used with the **Timed Cycle**.
- Do not use this drying rack when there are other clothes in the dryer.

Alloy Steel Drum (on some models)

The alloy steel used to make the dryer drum provides the highest reliability available in a GE dryer. If the dryer drum should be scratched or dented during normal

use, the drum will not rust or corrode. These surface blemishes will not affect the function or durability of the drum.

About loading and using the dryer.

Always follow the fabric manufacturer's care label when laundering.



Sorting and Loading Hints

As a general rule, if clothes are sorted properly for the washer, they are sorted properly for the dryer.

Do not add fabric softener sheets once the load has become warm. They may cause fabric softener stains. Bounce® Fabric Conditioner Dryer Sheets have been approved for use in all GE Dryers when used in accordance with the manufacturer's instructions.

Do not overload. This wastes energy and causes wrinkling.

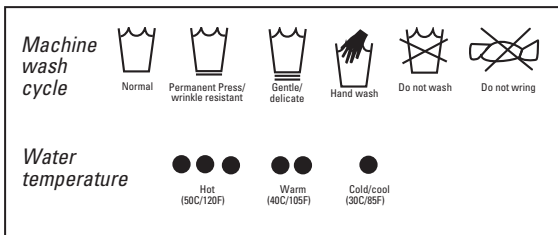
Do not dry the following items: fiberglass items, woolens, rubber-coated items, plastics, items with plastic trim and foam-filled items.



Fabric Care Labels

Below are fabric care label "symbols" that affect the clothing you will be laundering.

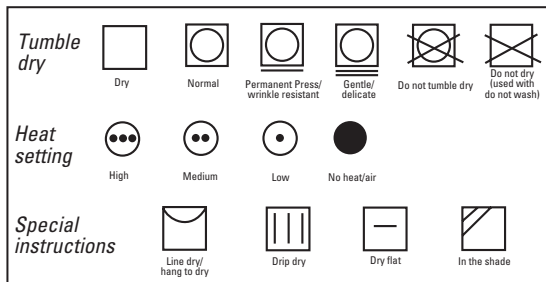
WASH LABELS



BLEACH LABELS



DRY LABELS



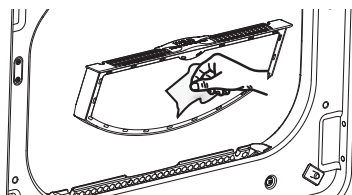
Care and Cleaning of the Dryer

The Exterior: Wipe or dust any spills or washing compounds with a damp cloth. Dryer control panel and finishes may be damaged by some laundry pretreatment soil and stain remover products. Apply these products away from the dryer. The fabric may then be washed and dried normally. Damage to your dryer caused by these products is not covered by your warranty.

The Lint Filter: Clean the lint filter before each use. Remove by pulling straight up. Run your fingers across the filter. A waxy buildup may form on the lint filter from using dryer added fabric softener sheets.

To remove this buildup, wash the lint screen in warm, soapy water. Dry thoroughly and replace. Do not operate the dryer without the lint filter in place.

Vacuum the lint from the dryer lint filter area if you notice a change in dryer performance.



Stainless Steel: To clean stainless steel surfaces, use a damp cloth with a mild, non-abrasive cleaner suitable for stainless steel surfaces. Remove the cleaner residue, and then dry with a clean cloth.

Dryer Interior and Duct: The interior of the appliance and exhaust duct should be cleaned once a year by qualified service personnel.

The Exhaust Duct: Inspect and clean the exhaust ducting at least once a year to prevent clogging. A partially clogged exhaust can lengthen the drying time.

Follow these steps:

- 1 Turn off electrical supply by disconnecting the plug from the wall socket.
- 2 Disconnect the duct from the dryer.
- 3 Vacuum the duct with the hose attachment and reconnect the duct.

The Exhaust Hood: Check from the outside that the flaps of the hood move freely when operating. Make sure that there is not wildlife (birds, insects, etc.) nesting inside the duct or hood.

For the best drying performance, the dryer needs to be properly vented. **The dryer will use more energy and run longer if it is not vented to the below specifications. Carefully follow the details on Exhausting in the Installation Instructions.**

- Use only rigid metal 4" diameter ductwork inside the dryer cabinet. Use only rigid metal or UL listed flexible metal 4" diameter ductwork for exhausting to the outside.
- Do not use plastic or other combustible ductwork.
- Use the shortest length possible.
- Do not crush or collapse.
- Avoid resting the duct on sharp objects.
- **Venting must conform to local building codes.**

⚠ WARNING  - Fire Hazard

This dryer **MUST** be exhausted to the outdoors.

Use only 4" rigid metal ducting for the home exhaust duct.

Use only 4" rigid metal or UL-listed dryer transition duct to connect the dryer to the home exhaust.

DO NOT use a plastic vent.

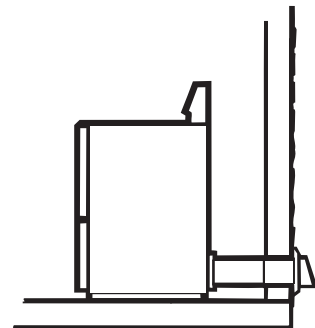
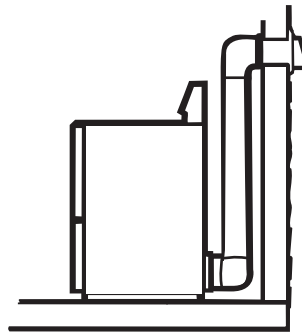
DO NOT exhaust into a chimney, kitchen exhaust, gas vent, wall, ceiling, attic, crawl space, or concealed space of a building.

DO NOT install a screen in or over the exhaust duct.

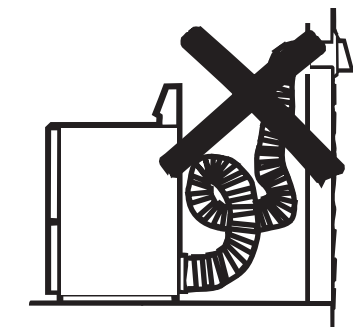
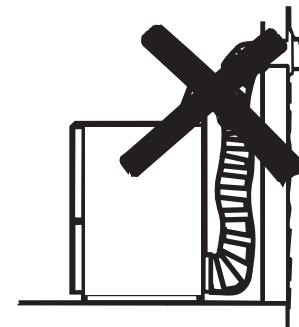
DO NOT use duct longer than specified in the exhaust length table.

Failure to follow these instructions can result in death or fire.

Correct Venting



Incorrect Venting



Before you call for service...



Troubleshooting Tips

Save time and money! Review the charts on the following pages, or visit GEAppliances.com. You may not need to call for service.

Problem	Possible Causes	What To Do
Dryer doesn't start	Dryer is unplugged	<ul style="list-style-type: none"> Make sure the dryer plug is pushed completely into the outlet.
	Fuse is blown/circuit breaker is tripped	<ul style="list-style-type: none"> Check the house fuse/circuit breaker box and replace fuse or reset breaker. NOTE: Most electric dryers use two fuses/breakers.
Dryer doesn't heat	Fuse is blown/circuit breaker is tripped; the dryer may tumble but not heat	<ul style="list-style-type: none"> Check the house fuse/circuit breaker box and replace both fuses or reset both breakers. Your dryer may tumble if only one fuse is blown or one breaker is tripped.
	Gas service is off	<ul style="list-style-type: none"> Make sure gas shutoff at dryer and main shutoff are fully open.
	No heat temperature selected	<ul style="list-style-type: none"> Select another heat setting.
Dryer shakes or makes noise	Some shaking/noise is normal. Dryer may be sitting unevenly	<ul style="list-style-type: none"> Move dryer to an even floor space, or adjust leveling legs as necessary until even.
Greasy spots on clothes	Improper use of fabric softener	<ul style="list-style-type: none"> Follow directions on fabric softener package.
	Drying dirty items with clean ones	<ul style="list-style-type: none"> Use your dryer to dry only clean items. Dirty items can stain clean items and the dryer.
	Clothes were not completely clean	<ul style="list-style-type: none"> Sometimes stains which cannot be seen when the clothes are wet appear after drying. Use proper washing procedures before drying.
Lint on clothes	Lint filter is full	<ul style="list-style-type: none"> Clean lint screen before each load.
	Improper sorting	<ul style="list-style-type: none"> Sort lint producers (like chenille) from lint collectors (like corduroy).
	Static electricity can attract lint	<ul style="list-style-type: none"> See suggestions in this section under Static.
	Overloading	<ul style="list-style-type: none"> Separate large loads into smaller ones.
	Paper, tissue, etc., left in pockets	<ul style="list-style-type: none"> Empty all pockets before laundering clothes.
Static occurs	No fabric softener was used	<ul style="list-style-type: none"> Try a fabric softener. Bounce® Fabric Conditioner Dryer Sheets have been approved for use in all GE Dryers when used in accordance with the manufacturer's instructions.
	Over-drying	<ul style="list-style-type: none"> Try a fabric softener. Adjust setting to Less Dry or Damp Dry.
	Synthetics, permanent press and blends can cause static	<ul style="list-style-type: none"> Try a fabric softener.
Inconsistent drying times	Type of heat	<ul style="list-style-type: none"> Automatic drying times will vary according to the type of heat used (electric, natural or LP gas), size of load, types of fabrics, wetness of clothes and condition of exhaust ducts.
The Dry dryness level was chosen but load is still damp	Load consists of a mixture of heavy and light fabrics	<ul style="list-style-type: none"> When combining heavy and light fabrics in a load, choose More Dry if you are using a sensor cycle.
	Exhaust system is blocked	<ul style="list-style-type: none"> Inspect and clean exhaust system.



<i>Problem</i>	<i>Possible Causes</i>	<i>What To Do</i>
<i>Clothes take too long to dry</i>	Improper sorting	<ul style="list-style-type: none"> Separate heavy items from lightweight items (generally, a well-sorted washer load is a well-sorted dryer load).
	Large loads of heavy fabrics (like beach towels)	<ul style="list-style-type: none"> Large, heavy fabrics contain more moisture and take longer to dry. Separate large, heavy fabrics into smaller loads to speed drying time.
	Controls improperly set	<ul style="list-style-type: none"> Match control settings to the load you are drying.
	Lint filter is full	<ul style="list-style-type: none"> Clean lint filter before every load.
	Improper or obstructed ducting	<ul style="list-style-type: none"> Check installation instructions for proper ducting/venting. Make sure ducting is clean, free of kinks and unobstructed. Check to see if outside wall damper operates easily. Check the Installation Instructions to make sure the dryer venting is correct.
	Blown fuses or tripped circuit breaker	<ul style="list-style-type: none"> Replace fuses or reset circuit breakers. Since most dryers use 2 fuses/breakers, make sure both are operating.
	Overloading/combining loads	<ul style="list-style-type: none"> Do not put more than one washer load in the dryer at a time.
<i>Clothes are wrinkled</i>	Over-drying	<ul style="list-style-type: none"> Select a shorter drying time. Remove items while they still hold a slight amount of moisture. Select a Less Dry or Damp Dry setting.
	Letting items sit in dryer after cycle ends	<ul style="list-style-type: none"> Remove items when cycle ends and fold or hang immediately.
	Overloading	<ul style="list-style-type: none"> Separate large loads into smaller ones.
<i>Clothes shrink</i>	Some fabrics will naturally shrink when washed. Others can be safely washed, but will shrink in the dryer	<ul style="list-style-type: none"> To avoid shrinkage, follow garment care labels exactly. Some items may be pressed back into shape after drying. If you are concerned about shrinkage in a particular item, do not machine wash or tumble dry it
<i>Water seen on inside of door and top of lint filter when opening door after steam cycle</i>	Steam condenses on these surfaces	<ul style="list-style-type: none"> This is normal.
<i>Small areas on clothes are damp after steam cycle</i>	Steam condenses on inner drum	<ul style="list-style-type: none"> If using the Steam Dewrinkle cycle, manually reduce the cycle time. If using the Steam Refresh cycle, add more garments to the load.
<i>Collars and waistbands still wet at end of cycle</i>	The dryness monitor senses that the body of the clothes is dry	<ul style="list-style-type: none"> Choose Speed Dry or Timed Dry to dry damp collars and waistbands. In the future, when drying a load with collars and waistbands, choose More Dry.
<i>Slight variation in metallic color</i>	This is normal	<ul style="list-style-type: none"> Due to the metallic properties of paint used for this unique product, slight variations of color may occur due to viewing angles and lighting conditions.

Before you call for service...



<i>Problem</i>	<i>Possible Causes</i>	<i>What To Do</i>
<i>Small amount of water on floor in front of dryer</i>	Inadequate load size for steam cycle selected, excess steam condenses inside cabinet and leaks out	<ul style="list-style-type: none"> If using the Steam Dewrinkle cycle, manually reduce time. If using the Steam Refresh cycle, add more garments to the load.
<i>Water on floor in back of dryer</i>	Loose water hose connection to valve	<ul style="list-style-type: none"> Tighten connection.
	Hose missing rubber washer at connection with valve	<ul style="list-style-type: none"> Install rubber washer provided with hose.
<i>Water drips from door when opened after a Steam Cycle</i>	Steam condenses on inner door	<ul style="list-style-type: none"> This is normal.
<i>Cannot see steam at beginning of cycle</i>	Steam released at different time in cycle	<ul style="list-style-type: none"> This is normal.
<i>Cannot see steam at any time during the cycle</i>	The steam nozzle might be clogged with debris from your water supply	<ul style="list-style-type: none"> Call 800.GE.CARES to order nozzle replacement kit WE25M71 or to request a service technician to replace this for you.
<i>Garments still wrinkled after steam cycle</i>	Too many garments	<ul style="list-style-type: none"> Load fewer garments; manually increase time.
<i>Dryer continues to tumble after display says complete</i>	Extended/Dewrinkle Tumble was selected	<ul style="list-style-type: none"> Ensure Extended/Dewrinkle Tumble option is not selected. For the Steam Refresh cycle, Extended/Dewrinkle Tumble will automatically be turned on and cannot be turned off.
<i>Garments are wet after Steam cycle</i>	Lint filter not clean	<ul style="list-style-type: none"> Clean lint filter
	Load is children/infant garments	<ul style="list-style-type: none"> Use the Steam Refresh cycle.
<i>No numbers displayed during cycle, only lights</i>	Dryer is continuously monitoring the amount of moisture in the clothes	<ul style="list-style-type: none"> This is normal. When the dryer senses a low level of moisture in the load, the dryer will display the dry time remaining.
<i>Time Remaining jumped to a lower number</i>	The estimated time may change when a smaller load than usual is drying	<ul style="list-style-type: none"> This is normal.
<i>Dryer is running but 00 is displayed in Time Remaining</i>	The Extended/Dewrinkle Tumble option was chosen	<ul style="list-style-type: none"> This is normal. During Extended/Dewrinkle Tumble, the time remaining is not displayed. The extended tumbling option lasts approximately 60 minutes; dewrinkle 60 minutes.
<i>Clothes are still wet and dryer shuts off after a short time</i>	The door was opened mid-cycle. The load was then removed from the dryer and a new load put in without selecting a new cycle	<ul style="list-style-type: none"> A dry cycle must be re-selected each time a new load is put in.
	Small load	<ul style="list-style-type: none"> When drying 3 items or less, choose Speed Dry or Timed Dry.
	Load was already dry except for collars and waistbands	<ul style="list-style-type: none"> Choose Speed Dry or Timed Dry to dry damp collars and waistbands. In the future, when drying a load with collars and waistbands, choose More Dry.
	Dryer is not level	<ul style="list-style-type: none"> Move dryer to an even floor space or adjust leveling legs as necessary until even.

GE Dryer Warranty.



All warranty support provided by our Factory Service Centers, or an authorized Customer Care® technician. To schedule service, on-line, 24 hours a day, visit us at **GEAppliances.com** or call **800.GE.CARES** (800.432.2737). Please have serial number and model number available when calling for service.

Staple your receipt here.
Proof of the original purchase date is needed to obtain support under the warranty.

For The Period Of: GE Will Replace:

One Year

From the date of the original purchase

Any part of the dryer which fails due to a defect in materials or workmanship. During this **limited one-year warranty**, GE will also provide, **free of charge**, all labor and related service costs to replace the defective part.

What GE Will Not Cover:

- Service trips to your home to teach you how to use the product.
- Improper installation, delivery or maintenance.
- Failure of the product if it is abused, misused, or used for other than the intended purpose or used commercially.
- Replacement of the light bulb.
- Replacement of house fuses or resetting of circuit breakers.
- Damage to the product caused by accident, fire, floods or acts of God.
- Incidental or consequential damage caused by possible defects with this appliance.
- Damage caused after delivery.
- Product not accessible to provide required service.
- Defects or damage due to operation in freezing temperatures.
- Products which are not defective or broken, or which are working as described in the Owner's Manual.

EXCLUSION OF IMPLIED WARRANTIES—Your sole and exclusive remedy is product repair as provided in this Limited Warranty. Any implied warranties, including the implied warranties of merchantability or fitness for a particular purpose, are limited to one year or the shortest period allowed by law.

This warranty is extended to the original purchaser and any succeeding owner for products purchased for home use within the USA. If the product is located in an area where service by a GE Authorized Servicer is not available, you may be responsible for a trip charge or you may be required to bring the product to an Authorized GE Service location for service. In Alaska, the warranty excludes the cost of shipping or service calls to your home.

Some states do not allow the exclusion or limitation of incidental or consequential damages. This warranty gives you specific legal rights, and you may also have other rights which vary from state to state. To know what your legal rights are, consult your local or state consumer affairs office or your state's Attorney General.

Warrantor: General Electric Company. Louisville, KY 40225

Consumer Support.



GE Appliances Website

GEAppliances.com

Have a question or need assistance with your appliance? Try the GE Appliances Website 24 hours a day, any day of the year! For greater convenience and faster service, you can now download Owner's Manuals, order parts or even schedule service on-line.



Schedule Service

GEAppliances.com

Expert GE repair service is only one step away from your door. Get on-line and schedule your service at your convenience 24 hours any day of the year! Or call **800.GE.CARES** (800.432.2737) during normal business hours.



Real Life Design Studio

GEAppliances.com

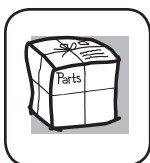
GE supports the Universal Design concept—products, services and environments that can be used by people of all ages, sizes and capabilities. We recognize the need to design for a wide range of physical and mental abilities and impairments. For details of GE's Universal Design applications, including kitchen design ideas for people with disabilities, check out our Website today. For the hearing impaired, please call **800.TDD.GEAC** (800.833.4322).



Extended Warranties

GEAppliances.com

Purchase a GE extended warranty and learn about special discounts that are available while your warranty is still in effect. You can purchase it on-line anytime, or call **800.626.2224** during normal business hours. GE Consumer Home Services will still be there after your warranty expires.



Parts and Accessories

GEAppliances.com

Individuals qualified to service their own appliances can have parts or accessories sent directly to their homes (VISA, MasterCard and Discover cards are accepted). Order on-line today, 24 hours every day or by phone at 800.626.2002 during normal business hours.

Instructions contained in this manual cover procedures to be performed by any user. Other servicing generally should be referred to qualified service personnel. Caution must be exercised, since improper servicing may cause unsafe operation.



Contact Us

GEAppliances.com

If you are not satisfied with the service you receive from GE, contact us on our Website with all the details including your phone number, or write to:

General Manager, Customer Relations
GE Appliances, Appliance Park
Louisville, KY 40225



Register Your Appliance

GEAppliances.com

Register your new appliance on-line—at your convenience! Timely product registration will allow for enhanced communication and prompt service under the terms of your warranty, should the need arise. You may also mail in the pre-printed registration card included in the packing material.



Secadoras

Manual del propietario

Instrucciones de seguridad 2-3

Instrucciones de operación . 4-11
Cómo cargar y usar la secadora . 10
Funciones de la secadora 8
Paneles de control 5-7
Ventilación de la secadora. 11

Consejos para la solución de problemas 13, 14

Soporte al consumidor
Garantía 15
Soporte al consumidor 16



Como socio de Energy Star®, GE ha confirmado que este producto cumple las directrices de Energy Star® relativas al rendimiento energético.

Escriba el número de modelo y de serie aquí:

No. de modelo _____

No. de serie _____


Estos números se encuentran en una etiqueta en la parte delantera de la secadora, detrás de la puerta.




234D2431P001
49-90536-1 04-15 GE Impreso en Mexico


INFORMACIÓN DE SEGURIDAD IMPORTANTE.

LEA TODAS LAS INSTRUCCIONES ANTES DE USAR.


 Éste es el símbolo de alerta de seguridad. El mismo alerta sobre potenciales riesgos que le pueden producir la muerte o lesiones tanto a usted como a otras personas. Todos los mensajes de seguridad estarán a continuación del símbolo de alerta de seguridad y con la palabra "PELIGRO", "ADVERTENCIA" o "PRECAUCIÓN". Estas palabras se definen como:

 **PELIGRO** Indica una situación de riesgo que, si no se evita, **producirá** la muerte o lesiones graves.

 **ADVERTENCIA** Indica una situación de riesgo que, si no se evita, **podría** producir la muerte o lesiones graves.

 **PRECAUCIÓN** Indica una situación de riesgo que, si no se evita, **podría** resultar en lesiones menores o moderadas.

INSTRUCCIONES IMPORTANTES DE SEGURIDAD

 **ADVERTENCIA** Para reducir el riesgo de incendio, explosión, descargas eléctricas o lesiones sobre las personas al usar su electrodoméstico, siga las precauciones básicas, incluyendo lo siguiente:

- Lea todas las instrucciones antes de usar este electrodoméstico.
- NO seque prendas que en forma previa hayan sido secadas, lavadas, penetradas o manchadas con gasolina, solventes de limpieza en seco, u otras sustancias inflamables o explosivas, ya que despiden vapores que se podrían encender o explotar.
- NO coloque prendas expuestas a aceites de cocción en su secadora. Las prendas contaminadas con aceites de cocción podrán contribuir a una reacción química que podría hacer que una carga de ropa se prenda fuego.
- NO permita que los niños jueguen sobre o dentro de este electrodoméstico. Cuando el electrodoméstico se use cerca de niños, será necesario supervisarlos de cerca. Antes de que este electrodoméstico quede fuera de uso o se descarte, retire la puerta del compartimiento de secado.
- NO introduzca las manos en la secadora cuando el tambor se encuentre en movimiento.
- NO instale ni guarde este electrodoméstico donde quede expuesto a los factores climáticos.
- NO manipule indebidamente los controles, reparar ni reemplazar cualquier parte del electrodoméstico o realizar cualquier otro trabajo técnico, a menos que esto sea específicamente recomendado en las instrucciones de mantenimiento del usuario o en instrucciones publicadas sobre reparaciones del usuario, que entienda y para las cuales posea las destrezas necesarias.
- NO utilice suavizantes de tela ni productos para eliminar la estática, a menos que esto sea recomendado por el fabricante del suavizante de tela u otro producto.
- NO utilice calor para secar artículos que contengan gomaespuma o materiales de goma con textura similar.
- Limpie la rejilla para pelusas antes o después de cada carga. NO utilice la secadora si el filtro de pelusas no se encuentra colocado.
- No guarde materiales combustibles, gasolina u otros líquidos inflamables cerca de la secadora. Evite la acumulación de pelusa, polvo o tierra alrededor del área de la apertura de ventilación y áreas adyacentes. Mantenga el área de la secadora despejada y libre de objetos que puedan obstruir el flujo del aire de la ventilación y combustión.
- La parte interior del electrodoméstico y el conducto de ventilación se deberán limpiar periódicamente por personal calificado del servicio técnico.
- Desenchufe el electrodoméstico o apague el disyuntor antes de realizar el servicio técnico. Presionar el botón **Power** (*Encendido*) o **Start/Pause** (*Inicio/Pausa*) NO desconecta el encendido.
- NO utilice este electrodoméstico si se encuentra dañado, funcionando mal, parcialmente desensamblado, o si tiene partes faltantes o rotas, incluyendo un cable o enchufe dañado.
- NO rocíe ningún tipo de aerosol dentro, sobre ni cerca de la secadora en ningún momento. No use ningún tipo de limpiador en spray para limpiar el interior de la secadora. Se podrán producir vapores o una descarga eléctrica.
- Para acceder a las instrucciones de conexión a tierra, lea los "Conexión Eléctrica" ubicados en las Instrucciones de Instalación.

GUARDE ESTAS INSTRUCCIONES

ADVERTENCIAS ADICIONALES SOBRE LA SECADORA A GAS



ADVERTENCIA

Para su seguridad, siga las instrucciones de este manual a fin de minimizar riesgos de incendio o explosión, o para evitar daños, lesiones personales o la muerte.

- NO guarde ni use gasolina u otros vapores y líquidos inflamables cerca de éste ni de otros electrodomésticos.
- QUÉ DEBE HACER SI HUELE GAS:
 - NO intente iluminar ningún electrodoméstico.
 - NO toque ningún interruptor eléctrico; NO use teléfonos en su edificio.
 - Haga que se retiren los ocupantes de la sala, edificio o área.
 - De inmediato llame a su proveedor de gas desde el teléfono de un vecino. - Siga las instrucciones del proveedor de gas.
 - Si no se puede comunicar con su proveedor de gas, llame al departamento de bomberos.
- La instalación y las reparaciones deberán ser realizadas por un instalador calificado, agencia de servicios o el proveedor de gas.

Advertencias de la Proposición 65 del Estado de California:

La Ley sobre Agua Potable Inocua y Tratamiento de Residuos Tóxicos de California (California Safe Drinking Water and Toxic Enforcement Act) solicita al Gobernador de California que publique una lista de sustancias que el estado reconoce que producen cáncer, defectos de nacimiento u otros daños reproductivos y solicita a las empresas que adviertan sobre la posible exposición a tales sustancias.



ADVERTENCIA

Este producto contiene uno o más químicos que el Estado de California entiende que producen cáncer, defectos en el nacimiento u otros daños reproductivos.

Los electrodomésticos a gas pueden causar una exposición de bajo nivel a algunas de estas sustancias, incluyendo benceno, monóxido de carbono, formaldehído y hollín, ocasionado principalmente por la combustión incompleta de gas natural o combustibles de LP. La exposición a estas sustancias puede ser minimizada ventilando correctamente la secadora hacia el exterior.

GUARDE ESTAS INSTRUCCIONES

Instrucciones de operación

⚠ ¡ADVERTENCIA!

Para reducir el riesgo de incendios, descargas eléctricas o heridas, lea las INSTRUCCIONES IMPORTANTES DE SEGURIDAD antes de utilizar este electrodoméstico.

ADVERTENCIA



Riesgo de Explosión

Mantenga cualquier material y vapores inflamables, tales como gasolina, alejados de la secadora.

NO seque nada que alguna vez haya tenido algo inflamable en éste (incluso luego de lavar).

Si no se cumple con esto, se podrá producir muerte, explosión o incendio.

ADVERTENCIA



Riesgo de Incendio

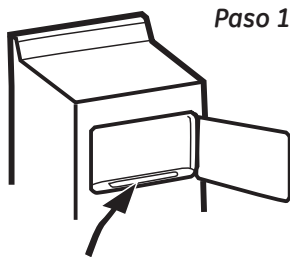
Ninguna lavadora puede eliminar el aceite por completo. No seque nada que alguna vez haya tenido algún tipo de aceite (incluyendo aceites de cocina).

Las prendas con gomaespuma, goma, o plástico deberán ser secadas en un tendedero o utilizando un ciclo de Air Dry (Secado con Aire).

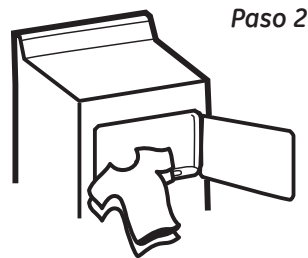
Si no se siguen estas instrucciones se podrá producir la muerte o un incendio.

Es posible que las funciones y apariencias varíen con relación a su modelo a lo largo del manual.

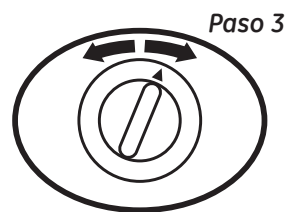
Guía de Inicio Rápido



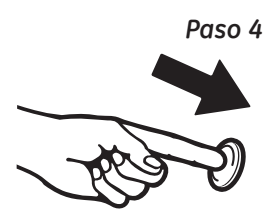
- Filtro para la limpieza de pelusa



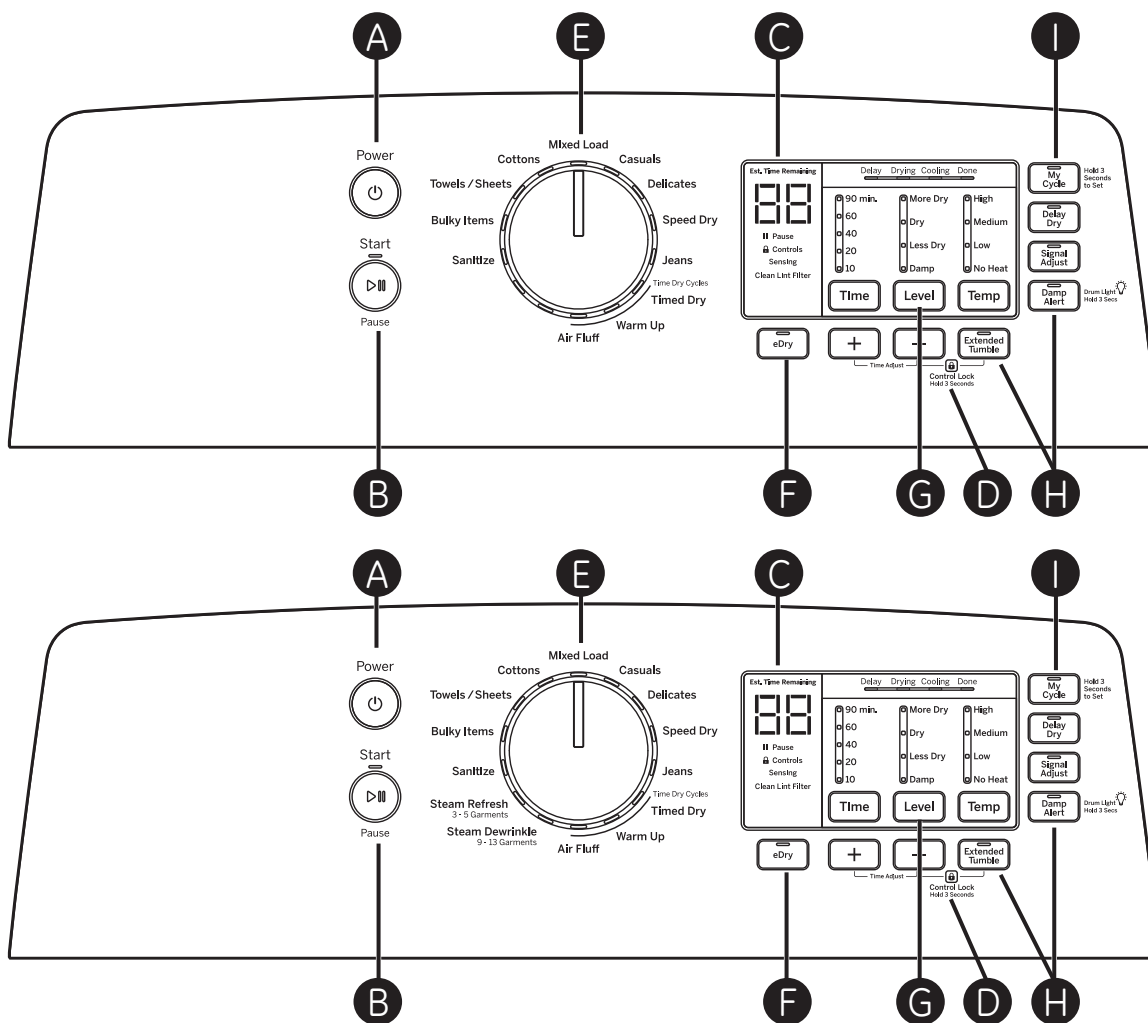
- Agregue ropa
- Cierre la puerta



- Seleccione el ciclo de secado



- Presione Start (iniciar)



- A Power (Encender)**
 Presione para "activar" la pantalla. Si la pantalla está activa, presione para que la secadora quede en el modo inactivo.
NOTA: Presionar **Power (Encendido)** no desconecta el electrodoméstico del suministro de corriente.
- B Start and Pause (Inicio y Pausa)**
 Presione **Start (Inicio)** para comenzar el ciclo. **NOTA:** La puerta se deberá cerrar para que la secadora comience el ciclo. Presionar **Start (Inicio)** pausará el ciclo, la luz de **Start (Inicio)** titilará y **"Pause" (Pausa)** se visualizará. Para continuar con el ciclo, presione la tecla **Start (Inicio)** nuevamente.
- C Display and Status Lights (Pantalla y las Luces de Status (Estatus))**
 La pantalla muestra el tiempo restante aproximado hasta el final del ciclo.
Además, esta pantalla mostrará el estado de la secadora:

 - **Pause** El **Start/Pause (Inicio y Pausa)** la luz parpadeará y el mensaje **"Pause" (Pausa)** se mostrará cuando el ciclo de la secadora sea pausado. El ciclo podrá ser reiniciado presionando la tecla **Start (Inicio)**.
 - **Controls** La secadora está bloqueada – titilará una vez si presiona cualquier botón o gira la perilla de ciclo.
 - **Sensing** Indica que la secadora está detectando el nivel de humedad para determinar el tiempo de ciclo restante estimado.
 - **Clean Lint Filter** La luz de **Filtro de Limpieza de Pelusas** permanecerá encendida durante 15 segundos una vez que el ciclo se detenga.
- D Control Lock (Bloqueo del Control)**
 Puede bloquear los controles para evitar que se haga cualquier selección. O puede bloquear los controles luego de haber iniciado un ciclo. Los niños no pueden iniciar de forma accidental la secadora presionando las teclas cuando esta opción haya sido seleccionada.
Para bloquear/desbloquear los controles la secadora, mantenga presionado el botón **Extended Tumble (Secado para Extendido)** y - durante 3 segundos. El ícono de bloqueo del control parpadeará durante el bloqueo / desbloqueo, se quedará encendido durante el bloqueo y se apagará durante el desbloqueo.
NOTA: El botón **Power (Encendido)** aún podrá ser usado cuando la máquina esté bloqueada.

Instrucciones de operación

E Ciclos de Secado - Los ciclos del sensor determinan de forma automática cuán seca está la tela. Los ciclos por tiempo funcionan durante una cantidad de tiempo seleccionada

Steam Dewrinkle (Desarrugar al Vapor)
(en algunos modelos)

Para uso con cargas más pesadas que **Steam Refresh (Refrescar al Vapor)**. Ideal para cargas que fueron dejadas en la secadora por un período de tiempo extendido.

Se recomienda Steam Dewrinkle (Desarrugar al Vapor) por 9-13 prendas

NOTA: No se recomienda el uso de toallas en los ciclos al vapor.

Importante – la configuración de temperatura se deberá configurar en HIGH (Alto) y se deberá abrir el agua antes de activar el ciclo Steam Refresh (Refrescar al Vapor).

Steam Refresh (Refrescar al Vapor)
(en algunos modelos)

Para prendas secas apenas arrugadas. Reduce las arrugas de forma significativa. Luego del ciclo **Steam Refresh (Refrescar al Vapor)**, la unidad emitirá un pitido (si se selecciona Signal (Señal)) y se exhibirá "00."

Se recomienda Steam Refresh (Refrescar al Vapor) por 3-5 prendas

NOTA: No se recomienda el uso de toallas en los ciclos al vapor.

NOTA: Una sola prenda de tela extremadamente liviana necesitará que se incluya una prenda adicional en el ciclo **Steam Refresh (Refrescar al Vapor)** para obtener resultados óptimos.

Importante – la configuración de temperatura se deberá configurar en HIGH (Alto) y se deberá abrir el agua antes de activar el ciclo Steam Refresh (Refrescar al Vapor).

Sanitize (Sanitize) o Anti-Bacterial (Anti-bacteriano)
(dependiendo del modelo)

Esta opción reduce ciertos tipos de bacterias incluyendo: staphylococcus aureus, pseudomonas aeruginosa y klebsiella pneumoniae. El proceso antibacteriano ocurre cuando se utiliza un alto nivel de calor durante una parte del ciclo de secado.

NOTA: No use este ciclo con telas delicadas.

Bulky Items (Prendas Gruesas)

Para abrigos grandes, prendas de cama, cubiertas de colchones, bolsas de dormir y artículos grandes/gruesos similares tales como mantas, edredones, fundas y tapetes pequeños.

Towels/Sheets (Toallas/ Sábanas)

Para la mayoría de las toallas y prendas blancas.

Cottons (Algodones)

Para algodones y la mayoría de las prendas blancas.

Mixed Load (Cargas Combinadas)

Para cargas con algodones y telas combinadas.

Casuals (Casuals)

Para prendas sin arrugas, planchado permanente, prendas delicadas y tejidos.

Delicates (Prendas Delicadas)

Para prendas delicadas, telas y tejidos que requieren cuidado especial.

Speed Dry (Secado rápido)

Para pequeñas cantidades necesarias en un apuro, tales como prendas deportivas o uniformes escolares. También se puede usar si en el ciclo previo quedaron algunas prendas húmedas, tales como cuellos o pretinas. **NOTA:** En algunos modelos, el tiempo restante del ciclo mostrará la cuenta regresiva en la pantalla

Jeans (Vaqueros)

Para Vaqueros.

Timed Dry (Secado por Tiempo)

Configure Cycle Selector (Selector de Ciclo) durante el tiempo de secado que desee.

Warm Up (Calentamiento)

Brinda 10 minutos de calentamiento de las ropas.

Air Fluff (Esponjado con aire)

Brinda 10 minutos de giro sin calor.

F eDry

Disponible para **Bulky Items (Prendas Gruesas)**, **Towels/Sheets (Toallas/ Sábanas)**, **Cottons (Prendas de Algodón)**, **Mixed Load (Cargas Combinada)**, **Jeans (Vaqueros)**, **Casuals (Ropa Casual)** y **Delicates (Prendas Delicadas)**. Cuando se presiona la tecla eDry, las configuraciones del ciclo cambian a fin de reducir el consumo de energía total del ciclo del sensor seleccionado.

NOTA: Los tiempos del ciclo cambiarán cuando se seleccione eDry. La opción eDry hará que se active la función **Cottons (Algodones)** por omisión. Para un ahorro de energía óptimo, active eDry. Para obtener tiempos de secado óptimos, apague eDry. **NOTA:** Los ahorros de energía variarán de acuerdo a las cargas y ciclos.

G Configuraciones

Configuraciones individuales para el ciclo secado por tiempo (**Time**), el nivel de secado (**Level**) y temperatura (**Temp**) se pueden configurar desde el mínimo (inferior en la columna) al máximo (superior en la columna). En general, cuanto más arriba en la columna, más energía se usará. **NOTA:** El ciclo **Time** (*Tiempo*) seleccionado puede ajustarse más, en incrementos de un minuto, presionando los botones + y - de **Time Adjust** (*Ajuste de tiempos*).

Dryness Level (Nivel de Secado) – Selección usada únicamente para ciclos del Sensor. Los ciclos por tiempo funcionan durante una cantidad de tiempo seleccionada.

More Dry (Más Seco)	Se usa con tipos de telas pesadas o combinadas.
Dry (Seco)	Se usa en el nivel de secado normal, adecuado para la mayoría de las cargas. Éste es el ciclo preferido para ahorrar energía.
Less Dry (Menos Seco)	Se usa con telas más livianas.
Damp (Húmedo)	Para dejar las prendas parcialmente húmedas.

Temperatura

High (Alta)	Para algodones de regular a pesados. NOTA: Steam Dewrinkle (<i>Desarrugar al Vapor</i>) y Steam Refresh (<i>Refrescar al Vapor</i>) requieren la configuración de temperatura High (Alta).
Medium (Media)	Para ropas sintéticas, combinadas, delicadas y prendas con etiqueta de planchado permanente.
Low (Baja)	Para prendas delicadas, sintéticas y con etiqueta para secado en la secadora a nivel bajo.

No Heat (Sin Calor) Para prendas con pelusa sin calor. Para uso únicamente con los ciclos **Air Fluff** (*Esponjado con aire*).

H Extended Tumble (Secado Extendido)

Use esta opción para minimizar las arrugas en la ropa. Brinda 1 hora de giro sin calor una vez que la ropa está seca. Si está usando el ciclo **Signal Adjust** (*Señal de ajuste*) y seleccionó la opción **Extended Tumble** (*Secado para Extendido*), sonará una señal al final del tiempo de secado y varias veces durante el ciclo **Extended Tumble** (*Secado Extendido*). Esto le recordará que es hora de retirar la ropa.

Damp Alert (Alerta de humedad)

Esta opción hace que la secadora emita un pitido cuando la ropa se secó hasta un nivel de humedad. Retire las prendas que desea colgar para que se sequen. **Damp Alert** (*Alerta de humedad*) sólo sonará cuando esta opción sea seleccionada (pero el ciclo de secado continuará en funcionamiento). Retirar la ropa y colgarla cuando está húmeda puede reducir la necesidad de planchar algunas prendas. La luz junto a la tecla se encenderá cuando la función **Damp Alert** (*Alerta de humedad*) esté activada.

Drum Light (Luz del tambor)

La luz del tambor se encenderá si se pulsa el botón **Damp Alert** (*Alerta de humedad*) durante 3 segundos o se abre la puerta. Se apagará cuando la puerta está cerrada, el botón **Damp Alert** (*Alerta de humedad*) está presionado por 3 segundos o después de 5 minutos si se deja la puerta abierta.

Delay Dry (Secado Retrasado)

Presione el botón **Delay Dry** (*Secado Retrasado*) para ajustar el tiempo de inicio diferido en incrementos de 1 hora, hasta 24 horas, y luego de regresar (a 0 horas). Luego de seleccionar el tiempo de demora, presione **Start** (*Iniciar*) y el tiempo de demora hará la cuenta regresiva hasta que el ciclo comience.

Signal Adjust (Señal de ajuste)

Use el botón **Signal Adjust** (*Señal de ajuste*) para cambiar el volumen de el botón presiones y la señal del fin del ciclo. Presione la tecla hasta que alcance el volumen deseado o se apague. La ropa debería ser retirada cuando el pitido se apaga, de modo que las arrugas no se asienten.

- Retire las prendas de forma rápida al escuchar el sonido de la señal. Coloque la ropa en perchas, de modo que las arrugas no se asienten.
- Use la función **Signal Adjust** (*Señal de ajuste*) especialmente al secar telas tales como poliéster, tejidos y planchado permanente. Estas telas se deberían retirar, de modo que las arrugas no se asienten.

I My Cycle (Mi Ciclo)

A medida que la perilla del selector de ciclo es girada, las configuraciones de **Tiempo** (*secado por tiempo*), **Nivel** (*nivel de Secado*) y **Temp** (*temperatura*) cambian a configuraciones automáticas preconfiguradas por omisión. Si desea una configuración diferente, presione la tecla(s) apropiada. Luego mantenga presionada la tecla **My Cycle** (*Mi Ciclo*) durante 3 segundos y la lavadora "recordará" estas configuraciones para esa Selección de Perilla. En el futuro, al girar la perilla del selector a ese ciclo, sus configuraciones serán reactivadas de forma automática. **NOTA:** El volumen de la señal no se puede configurar para **My Cycle** (*Mi Ciclo*).

Funciones de la secadora.

Sensor Dry

Sensor Dry

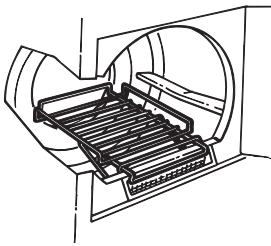
Esta característica se activa en todos los ciclos excepto **Timed Dry** (Secado por Tiempo), **Warm Up** (Calentamiento) and **Air Fluff** (Esponjado con aire).

El **Sensor Dry** brinda mayor exactitud de secado que las unidades convencionales, permitiendo menores plazos de secado y mejor mantenimiento de las prendas. Mientras giran las prendas, entran en contacto con un sensor de humedad. El sensor detendrá el ciclo de calentamiento tan pronto como se hayan alcanzado la sequedad seleccionada.

Su secadora irá ajustando el tiempo de secado inicial estimado mientras “aprende” sus hábitos de uso particulares. Después de varias semanas la secadora quedará totalmente personalizada a sus hábitos de uso.

Drum Light (Luz del Tambor)

La luz del tambor es una luz LED. Su reemplazo debe ser realizado por un técnico calificado.



La rejilla de secado (en algunos modelos)

La rejilla de secado se puede usar para secar artículos delicados tales como suéteres lavables.

Enganche la rejilla sobre el filtro de la pelusa de forma tal que la rejilla se extienda en el tambor giratorio de la secadora.

NOTA:

- La rejilla de secado se debe usar con el **CICLO DE SECADO CRONOMETRADO**.
- No use esta rejilla cuando esté secando otra ropa en la secadora.

El tambor giratorio de acero de aleación (en algunos modelos)

El acero aleación usado para construir el tambor giratorio de la secadora proporciona la alta confiabilidad en una secadora GE. Si el tambor giratorio de la secadora llegara a rayarse o a abollarse durante el uso normal,

el tambor no se oxidará ni se corroerá. Estas marcas en la superficie no afectarán el funcionamiento o la durabilidad del tambor giratorio.

Cómo cargar y usar la secadora.

Siempre siga las instrucciones del fabricante de la ropa cuando lave.



Ideas para la clasificación y carga de la ropa

Como regla general, si la ropa es clasificada apropiadamente para la lavadora, estará clasificada apropiadamente para la secadora.

No agregue toallitas suavizantes una vez la ropa se haya calentado. Esto podría causar que la ropa se manche. Las toallitas suavizantes acondicionadoras Bounce® se han aprobado para usarse con todas las secadoras GE de acuerdo con las instrucciones del fabricante.

No sobrecargue. Esto desperdicia energía y causa arrugas.

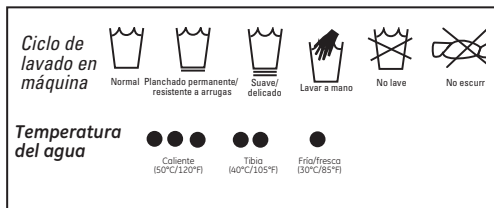
No seque los siguientes artículos: artículos de fibra de vidrio, prendas de lana que no sean lavables, artículos con recubrimientos de goma, plásticos, artículos con bordes plásticos o rellenos de espuma.



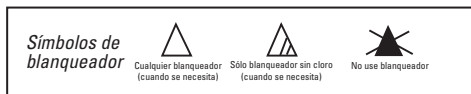
Las etiquetas del cuidado de la tela

Aquí puede ver "símbolos" de etiquetas para indicar el cuidado de las telas.

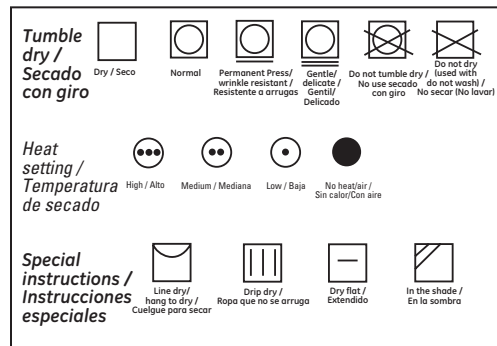
ETIQUETAS DE LAVADO



ETIQUETAS DE LA LEJÍA



ETIQUETAS DE SECADO



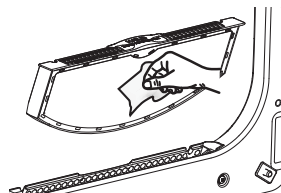
Cuidado y limpieza de la secadora

El exterior: Pásele un trapo y elimine el polvo o cualquier derrame de productos de lavandería con un trapo húmedo. Los productos de tratamiento para quitar mugre y manchas podrían dañar el panel de control de la secadora y afectar su apariencia. Aplique estos productos a cierta distancia de la secadora. Luego las telas podrán lavarse y secarse normalmente. Los daños causados a la secadora por estos productos no están cubiertos bajo su garantía.

El filtro de pelusa: Limpie el filtro de pelusa antes de cada uso. Retire el mismo presionando hacia arriba. Pase los dedos por el filtro. Es posible que se forme una acumulación de cera en el filtro de pelusas debido al uso de suavizantes de tela agregados a la secadora.

Para eliminar dicha acumulación, lave la rejilla para atrapar pelusas con agua tibia y jabón. Seque totalmente y realice el reemplazo. No utilice la secadora sin el filtro de pelusas y la rejilla en sus correspondientes lugares.

Si observa un cambio en el funcionamiento de la secadora, aspire la pelusa del área del filtro de pelusas de la secadora.



El acero inoxidable: Para limpiar las superficies de acero inoxidable, use un trapo húmedo con un limpiador suave, no abrasivo apropiado para superficies de acero inoxidable. Remueva el residuo del limpiador y luego seque con un trapo limpio.

Interior y conducto de la secadora: Un técnico calificado debe limpiar la parte interna del aparato y del conducto de salida una vez por año.

El ducto de escape: Inspeccione y limpie el ducto de escape por lo menos una vez al año para evitar las obstrucciones. Un escape parcialmente taponado puede prolongar el plazo de secado.

Siga estos pasos:

- 1 Apague el suministro eléctrico desconectando el enchufe de la pared.
- 2 Desconecte el conducto de la secadora.
- 3 Aspire el conducto con la conexión de manguera y vuelva a conectarlo.

La salida de escape: Inspeccione del exterior que las aletas de la salida de escape se mueven libremente durante la operación. Asegúrese de que ningún animal (pájaros, insectos, etc.) haya hecho su nido en el interior del conducto o en la salida de escape.

Para obtener el mejor desempeño, la secadora debe estar ventilada adecuadamente. **La secadora utilizará más energía y funcionará más tiempo si no se ventila siguiendo las especificaciones indicadas más abajo. Siga cuidadosamente los detalles en la sección de Escape en las Instrucciones de instalación.**

- Utilice únicamente ducto de metal rígido de 4" de diámetro en el interior del gabinete de la secadora. Utilice únicamente ducto de metal rígido o ducto flexible de metal de 4" de diámetro con aprobación UL para ducto de ventilación hacia el exterior.
- No use ductos plásticos u otros ductos de materiales combustibles.
- Use la longitud más corta posible.
- No aplaste ni pliegue.
- Evite descansar el conducto sobre objetos filosos.
- **La ventilación debe cumplir con los códigos de construcción locales.**

⚠ ADVERTENCIA  - **Riesgo de incendio**

Esta secadora DEBE tener una ventilación al exterior.

Use sólo un conducto de metal rígido de 4" para la ventilación de salida doméstico.

Use sólo un conducto de transición de la secadora de metal rígido de 4" o de la lista de UL para conectar la secadora a la salida del hogar.

NO use una ventilación del plástico.

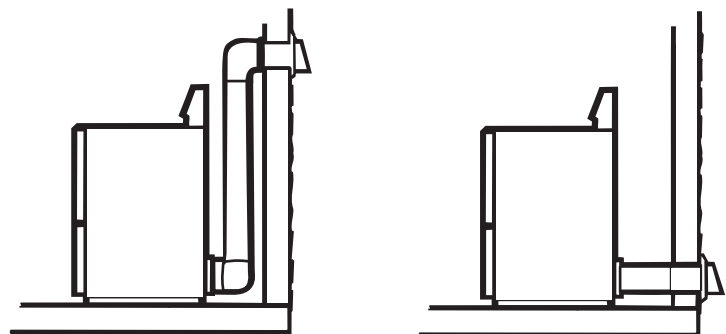
NO use la salida de una chimenea, la salida de la cocina, ventilación de gas, pared, cielo raso, ático, espacio de rastreo, o espacio escondido de una edificación.

NO instale una pantalla en o sobre el conducto de salida.

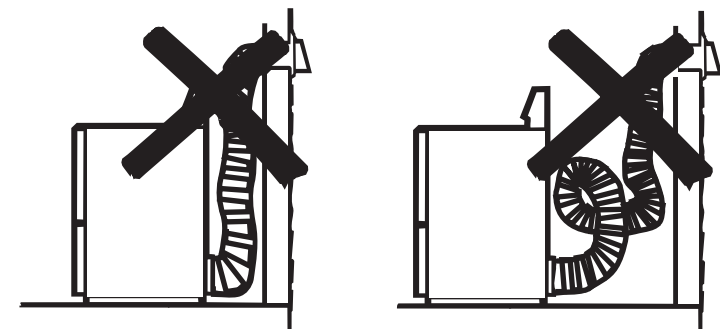
NO use un conducto más largo que aquél especificado en la tabla de longitud de salida.

Si no se siguen estas instrucciones se podrá producir la muerte o un incendio.

Ventilación correcta



Ventilación incorrecta



Antes de llamar para solicitar servicio...



Consejos para la solución de problemas
¡Ahorre tiempo y dinero! Consulte primero las tablas de las páginas siguientes o visite GEAppliances.com y quizás no necesite llamar al servicio.

Problema	Posible causa	Qué hacer
La secadora no funciona	La secadora está desenchufada	<ul style="list-style-type: none"> Asegúrese de que el enchufe esté completamente colocado en el tomacorriente.
	Fusible quemado/disyuntor desconectado	<ul style="list-style-type: none"> Revise la caja de fusibles/disyuntores y reemplace el fusible o reconecte el disyuntor. NOTA: La mayoría de las secadoras eléctricas usan dos fusibles/disyuntores.
La secadora no calienta	Fusible quemado/disyuntor desconectado; es posible que la secadora gire sin calentar	<ul style="list-style-type: none"> Revise la caja de fusibles/disyuntores y reemplace ambos fusibles y reconecte ambos disyuntores. Es posible que la secadora gire si únicamente un fusible se ha quemado o un solo disyuntor ha saltado.
	Se ha cortado el suministro de gas	<ul style="list-style-type: none"> Asegúrese que la válvula de cierre en la secadora y la válvula maestra está completamente abierta.
	No se ha seleccionado la temperatura	<ul style="list-style-type: none"> Seleccione otro nivel de calor.
La secadora tiembla o produce ruido	Un poco de temblor/ruido es normal. La secadora podría estar disnivelada	<ul style="list-style-type: none"> Coloque la secadora en un lugar con piso nivelado, o ajuste las patas niveladoras según sea necesario hasta que esté nivelada.
Manchas de grasa en la ropa	Uso inapropiado de suavizador de telas	<ul style="list-style-type: none"> Siga las direcciones en el envase del suavizador de telas.
	Secado de artículos sucios con limpios	<ul style="list-style-type: none"> Utilice su secadora para secar únicamente artículos limpios. Los artículos sucios pueden manchar los artículos limpios y la secadora.
	Las prendas no están completamente limpias	<ul style="list-style-type: none"> Algunas manchas que no se pueden ver cuando las prendas están mojadas aparecen después del secado. Utilice procedimientos apropiados de lavado antes del secado.
Pelusa en las prendas	El filtro de pelusa está lleno	<ul style="list-style-type: none"> Limpie el filtro antes de cada carga.
	Clasificación incorrecta	<ul style="list-style-type: none"> Clasifique las prendas que producen pelusa (como felpilla) de las prendas que juntan pelusa (como la pana).
	La electricidad estática puede atraer pelusa	<ul style="list-style-type: none"> Consulte las sugerencias en esta sección bajo Estática.
	Sobrecarga	<ul style="list-style-type: none"> Separe las cargas más grandes en menor tamaño.
	Papel, servilletas, etc., quedan dentro de los bolsillos de la ropa	<ul style="list-style-type: none"> Vacíe todos los bolsillos antes de lavar la ropa.
Ocurre estática	No se utilizó ningún tipo de suavizador de telas	<ul style="list-style-type: none"> Intente utilizar un suavizador de telas. Bounce® Fabric Conditioner Dryer Sheets ha sido aprobado para ser usado con todas las Secadoras GE y cuando se usen de acuerdo con las instrucciones del fabricante.
	Sobresecado	<ul style="list-style-type: none"> Intente utilizar un suavizador de telas. Programa el ajuste a Less Dry (Menos Seco) o Damp Dry (Secado Húmedo).
	Artículos sintéticos, planchado permanente y combinaciones pueden causar estática	<ul style="list-style-type: none"> Intente utilizar un suavizador de telas.
Plazos de secado inconsistentes	Tipo de calor	<ul style="list-style-type: none"> Los plazos de secado automático pueden variar según el tipo de calor utilizado (eléctrico, gas natural o LP), tamaño de la carga, tipos de telas, humedad de la ropa y la condición de los conductos de escape.
Se ha seleccionado el nivel de secado DRY (Seco) pero la carga aún se encuentra húmeda	La carga consiste de una combinación de telas pesadas y livianas	<ul style="list-style-type: none"> Cuando combine telas pesadas con livianas en una carga, escoja MORE DRY (Más seco).
	El sistema de escape está tapado	<ul style="list-style-type: none"> Inspeccione y limpie el sistema de escape.



Problema	Posible causa	Qué hacer
Secar las prendas toma demasiado tiempo	Clasificación incorrecta	<ul style="list-style-type: none"> • Separe las prendas pesadas de las livianas (generalmente una carga de lavado bien clasificada es una carga de secado bien clasificada).
	Cargas grandes de telas pesadas (como toallas de playa)	<ul style="list-style-type: none"> • Las telas grandes y pesadas contienen más humedad y toman más tiempo para secar. Separe las telas grandes y pesadas en cargas de menor tamaño para agilizar el plazo de secado.
	Los controles no están programados correctamente	<ul style="list-style-type: none"> • Corresponde los ajustes de control a la carga que está secando.
	El filtro de pelusa está lleno	<ul style="list-style-type: none"> • Limpie el filtro de pelusa antes de cada carga.
	Conductos inadecuados u obstruidos	<ul style="list-style-type: none"> • Revise las instrucciones de instalación para sistemas de conductos/ventilación correctos. • Asegúrese de que los conductos estén limpios, libres de puntos de agarre y no estén obstruidos. • Revise observando que el regulador de pared exterior esté funcionando con facilidad. • Revise las Instrucciones de instalación para asegurar que el sistema de ventilación de la secadora es correcto.
	Fusibles quemados/disyuntor desconectado	<ul style="list-style-type: none"> • Reemplace los fusibles o reconecte los disyuntores. Ya que la mayoría de las secadoras utilizan 2 fusibles/disyuntores, asegúrese de que ambos funcionen.
	Sobrecarga/combinación de cargas	<ul style="list-style-type: none"> • No coloque más de una carga de la lavadora en la secadora al mismo tiempo.
	Poca cantidad de carga	<ul style="list-style-type: none"> • Si está secando solo una o dos prendas, añada varias para asegurar un giro apropiado.
Las prendas están arrugadas	Sobresecado	<ul style="list-style-type: none"> • Seleccione un plazo de secado más breve. • Retire las prendas mientras están húmedas. Programe el ajuste a Less Dry (Menos Seco) o Damp Dry (Secado Húmedo).
	Las prendas permanecen en la secadora después que ha terminado el ciclo	<ul style="list-style-type: none"> • Retire las prendas cuando finaliza el ciclo y doble o cuélguelas inmediatamente.
	Sobrecarga	<ul style="list-style-type: none"> • Separe las cargas más grandes en más pequeñas.
Las prendas se encogen	Algunas telas se encogen de manera natural cuando se lavan. Otras pueden lavarse sin problemas, pero se encogerán en la secadora	<ul style="list-style-type: none"> • Para evitar encoger las prendas, siga las instrucciones de las etiquetas exactamente. • Algunas prendas pueden plancharse nuevamente a su forma original después de secarlas. • Si tiene dudas sobre si una prenda en particular encogerá, no la lave a máquina ni la seque con giro.
Pequeña variación del color metálico.	Esto es normal.	<ul style="list-style-type: none"> • Debido a las propiedades metálicas de la pintura utilizada con este producto único, pueden ocurrir pequeñas variaciones de color debido ángulos de visualización y condiciones de iluminación.

Antes de llamar para solicitar servicio...

Problema	Posible causa	Qué hacer
Se ve agua dentro de la puerta y sobre el filtro de pelusa cuando se abre la puerta después del ciclo de vapor	El vapor se condensa la puerta interna.	<ul style="list-style-type: none"> • Esto es normal.
Áreas pequeñas en prendas muestran humedad	Interior del tambor con humedad después del ciclo de vapor	<ul style="list-style-type: none"> • Si esta utilizando el ciclo Steam Dewrinkle, manualmente las reduzca el tiempo del ciclo. Si esta utilizando el ciclo Steam Refresh (renovación por vapor), agregue prendas a la carga
Hay una pequeña cantidad de agua sobre el piso frente a la secadora.	Tamaño de carga inadecuado para el ciclo de vapor seleccionado, el vapor excedente se condensa dentro del gabinete y se escapa.	<ul style="list-style-type: none"> • Si va a utilizar el ciclo Steam Dewrinkle (estirar por vapor), reduzca manualmente el tiempo del ciclo. Si va a utilizar el ciclo Steam Refresh (renovación por vapor), agregue más prendas a la carga
Hay agua en el piso en la parte trasera de la secadora	La conexión de manguera de agua a la válvula se encuentra floja.	<ul style="list-style-type: none"> • Ajuste la conexión.
	La manguera no cuenta con la arandela de goma en la conexión con la válvula.	<ul style="list-style-type: none"> • Instale la arandela de goma provista con la manguera.
Cae agua de la puerta cuando se la abre después de un ciclo de vapor.	El vapor se condensa en la puerta interna.	<ul style="list-style-type: none"> • Esto es normal.
No puede verse vapor al comienzo del ciclo	El vapor se libera en un momento diferente en el ciclo.	<ul style="list-style-type: none"> • Esto es normal.
Las prendas siguen arrugadas después de ciclo de vapor	Demasiadas prendas.	<ul style="list-style-type: none"> • Cargue menos prendas; incremente el tiempo manualmente.
No se ve vapor en ningún momento durante el ciclo	La boquilla de vapor puede estar bloqueada con suciedad proveniente del suministro de agua	<ul style="list-style-type: none"> • Llame al 800.GE.CARES para solicitar el kit de reemplazo de boquilla WE25M71 o para solicitar un técnico que lo reemplace por usted.
La secadora sigue girando después de que pantalla indica complete (finalización).	Se seleccionó el secado prolongado.	<ul style="list-style-type: none"> • Asegúrese de que la opción de secado prolongado no esté seleccionada. Para el ciclo Steam Refresh (renovación por vapor), se accionará automáticamente el secado prolongado y no podrá apagarse.
Prendas mojadas o húmedas, después del ciclo Steam (vapor)	Filtro de pelusa no esta limpio	<ul style="list-style-type: none"> • Limpiar el filtro de pelusa
	Las prendas de la carga son ropa infantil	<ul style="list-style-type: none"> • Utilizar el ciclo de Steam Refresh (renovación por vapor).
No aparecen números en la pantalla durante el ciclo, sólo luces	La secadora monitorea constantemente la cantidad de humedad en la ropa	<ul style="list-style-type: none"> • Esto es normal. Cuando la secadora detecta un nivel bajo de humedad en la carga, la secadora mostrará el tiempo restante de secado.
El tiempo restante ha saltado a un número inferior	El tiempo estimado podría cambiar si seca una carga menor a la normal	<ul style="list-style-type: none"> • Esto es normal.
La secadora se encuentra funcionando, pero el tiempo restante muestra 00	Se ha escogido la opción Extend/Dewrinkle Tumble (Prolongar secado)	<ul style="list-style-type: none"> • Esto es normal. Durante el secado prolongado no se muestra el tiempo restante. La opción de secado prolongado tarda 60 minutos aproximadamente; dewrinkle 60 minutos.
Las prendas aún se encuentran húmedas y la secadora se apaga después de un tiempo corto	Se abrió la puerta a la mitad del ciclo. Luego se procedió a retirar la carga de la secadora y se colocó una carga nueva sin seleccionar un ciclo nuevo	<ul style="list-style-type: none"> • Se debe volver a seleccionar un ciclo de secado cada vez que se coloca una carga nueva.
	Carga pequeña o Timed Dry.	<ul style="list-style-type: none"> • Cuando seque 3 o menos prendas, escoja Speed Dry
	La carga ya se encontraba seca a excepción de los cuellos y pretinas	<ul style="list-style-type: none"> • Escoja Speed Dry o Timed Dry para secar los cuellos y pretinas que estén húmedos. En el futuro, al seca una carga que contenga cuellos y pretinas, escoja More Dry.
	La secadora no está nivelada	<ul style="list-style-type: none"> • Mueva la secadora a un área con piso nivelado o ajuste las patas niveladoras como sea necesario hasta que se encuentre nivelada.

Garantía de la secadora GE.



Todos los servicios de garantía se ofrecen a través de nuestros centros de asistencia técnica o un técnico autorizado de Customer Care®. Para programar servicio de asistencia técnica, en línea y las 24 horas, visite la página **GEAppliances.com** o llame al **800.GE.CARES (1.800.432.2737)**. Cuando llame para solicitar servicio, por favor tenga a mano el número de serie y el número de modelo.

Engrape el recibo aquí.
Se necesita el comprobante con la fecha de compra original para que la garantía cubra los servicios.

Por el período de: **GE reemplazará:**

Un año

De la fecha de la compra original

Cualquier parte de la secadora que falle debido a defectos en los materiales o en la fabricación. Durante esta **garantía limitada de un año**, GE también proporcionará, **sin costo alguno**, toda la mano de obra y servicios relacionados con el reemplazo de las partes defectuosas.

Lo que no está cubierto:

- Viajes del personal de servicio a su casa para enseñarle cómo usar su producto.
- Instalación, entrega o mantenimiento inapropiada.
- Fallas del producto si es maltratado, mal usado, o usado para un propósito diferente del que se creó o si es usado para usos comerciales.
- Reemplazo de la bombilla.
- Cambio de los fusibles de su casa o reajuste del circuito de interruptores.
- Daños al producto causados por accidentes, incendios, inundaciones o actos de la naturaleza.
- Daños imprevistos resultantes causados por posibles defectos con este electrodoméstico.
- Daños causados después del envío.
- Producto no accesible para facilitar el servicio requerido.
- Defectos o daños causados por la operación en temperaturas bajo cero C.
- Productos que no están defectuosos o dañados o que funcionan según la descripción del Manual del usuario.

EXCLUSIÓN DE GARANTÍAS IMPLÍCITAS—Su único y exclusivo derecho es la reparación del producto, tal y como se indica en esta Garantía limitada. Cualquier garantía implícita, incluyendo las garantías implícitas de comerciabilidad o adecuación para un fin determinado, están limitadas a un año o el período de tiempo más breve permitido por la ley.

Esta garantía se extiende al comprador original y a cualquier propietario subsecuente para productos comprados para uso doméstico dentro Estados Unidos. Si el producto está situado en un área que no dispone de servicio por parte de un proveedor de servicio autorizado de GE, podría tener que hacerse cargo de los costes de envío o bien podría solicitársele que lleve el producto a un centro de servicio de GE autorizado para realizar la reparación. En Alaska, la garantía excluye el costo de envío o las visitas de servicio a su casa.

Algunos estados no permiten la exclusión o limitación de daños imprevistos. Esta garantía le da sus derechos legales específicos, y es posible que usted tenga otros derechos legales que varían de estado a estado. Para informarse de cuáles son sus derechos legales, consulte a su oficina de asuntos del consumidor local o estatal o póngase en contacto con la Oficina de su Procurador General.

Garante: General Electric Company. Louisville, KY 40225

Soporte al consumidor.



Página Web de GE Appliances

GEAppliances.com

¿Tiene alguna pregunta sobre su electrodoméstico? ¡Pruebe la página Web de GE Appliances 24 horas al día, cualquier día del año! Para mayor conveniencia y servicio más rápido, ya puede descargar los Manuales de los Propietarios, pedir piezas o incluso hacer una cita en línea para que vengan a realizar una reparación.



Solicite una reparación

GEAppliances.com

El servicio de expertos GE está a tan sólo un paso de su puerta. ¡Entre en línea y solicite su reparación cuando le venga bien 24 horas al día cualquier día del año! O llame al **800.GE.CARES** (800.432.2737) durante horas normales de oficina.



Real Life Design Studio (Estudio de diseño para la vida real) **GEAppliances.com**

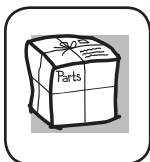
GE apoya el concepto de Diseño Universal—productos, servicios y ambientes que pueden usar gente de todas las edades, tamaños y capacidades. Reconocemos la necesidad de diseñar para una gran gama de habilidades y dificultades físicas y mentales. Para más detalles sobre las aplicaciones de GE Diseño Universal, incluyendo ideas de diseño para la cocina para personas con discapacidades, mire nuestra página Web hoy mismo. Para personas con dificultades auditivas, favor de llamar al **800.TDD.GEAC** (800.833.4322).



Garantías ampliadas

GEAppliances.com

Compre una garantía ampliada y obtenga detalles sobre descuentos especiales disponibles mientras su garantía está aún activa. Puede comprarla en línea en cualquier momento, o llamar al **800.626.2224** durante horas normales de oficina. GE Consumer Home Services estará aún ahí cuando su garantía termine.



Piezas y accesorios

GEAppliances.com

Aquellos individuos con la calificación necesaria para reparar sus propios electrodomésticos pueden pedir que se les manden las piezas o accesorios directamente a sus hogares (aceptamos las tarjetas VISA, MasterCard y Discover). Haga su pedido en línea hoy, 24 horas cada día o llamar por teléfono al **800.626.2002** durante horas normales de oficina.

Las instrucciones descritas en este manual cubren los procedimientos a seguir por cualquier usuario. Cualquier otra reparación debería, por regla general, referirse a personal calificado autorizado. Debe ejercerse precaución ya que las reparaciones incorrectas pueden causar condiciones de funcionamiento inseguras.



Póngase en contacto con nosotros

GEAppliances.com

Si no está satisfecho con el servicio que recibe de GE, póngase en contacto con nosotros en nuestra página Web indicando todos los detalles así como su número de teléfono o escríbanos a:

General Manager, Customer Relations
GE Appliances, Appliance Park
Louisville, KY 40225



Registre su electrodoméstico

GEAppliances.com

¡Registre su nuevo electrodoméstico en línea—cuando usted prefiera! El registrar su producto a tiempo le proporcionará, si surgiera la necesidad, una mejor comunicación y un servicio más rápido bajo los términos de su garantía. También puede enviar su tarjeta de registro pre-impresa que se incluye en el material de embalaje.