



Refrigerators

Safety Information 2, 3

Operating Instructions

Control Settings 4

Refrigerator Features 4

Care and Cleaning 5-6

Replacing the Light Bulb 5

Installation Instructions 7-9

Troubleshooting Tips 10

Consumer Support

Warranty 12

Consumer Support Back Cover

ATTENTION:

Defrosting—Do not use sharp, pointed objects to remove frost or ice from surfaces of the freezer compartment. Doing so could puncture the cooling coil, causing the unit to lose its ability to maintain cold temperatures and voiding the warranty. See the Care and Cleaning section for instructions on defrosting the freezer compartment.

Write the model and serial numbers here:

Model # _____

Serial # _____

Find these numbers on a label inside the refrigerator compartment at the top on the right side.

*Owner's Manual
& Installation
Instructions*

*3 Cubic Foot Models
4 Cubic Foot Models*

Réfrigérateurs

*Manuel d'utilisation
et d'installation*

*La section française
commence à la page 13*

Refrigeradores

*Manual del
Propietario e
Instrucciones de
Instalación*

*La sección en español empieza en
la página 25*

IMPORTANT SAFETY INFORMATION. READ ALL INSTRUCTIONS BEFORE USING.

SAFETY

IMPORTANT SAFETY INFORMATION READ ALL INSTRUCTIONS BEFORE USING



GE Appliances website

For more information on your refrigerator's operation, visit www.GEAppliances.com or call 800.GECARES (800.432.2737). In Canada visit GEAppliances.ca or call 800.561.3344.

! This is the safety alert symbol. This symbol alerts you to potential hazards that can kill or hurt you and others. All safety messages will follow the safety alert symbol and the word "DANGER", "WARNING", or "CAUTION". These words are defined as:

! DANGER Indicates a hazardous situation which, if not avoided, **will** result in death or serious injury.

! WARNING Indicates a hazardous situation which, if not avoided, **could** result in death or serious injury.

! CAUTION Indicates a hazardous situation which, if not avoided, **could** result in minor or moderate injury.

IMPORTANT SAFETY INSTRUCTIONS

! WARNING To reduce the risk of fire, explosion, electric shock, or injury when using your refrigerator follow these basic safety precautions:

- This refrigerator must be properly installed and located in accordance with the Installation Instructions before it is used.
- Unplug the refrigerator before making repairs, replacing a light bulb, or cleaning.
Note: Power to the refrigerator cannot be disconnected by any setting on the control panel.
Note: Repairs must be performed by a qualified service professional.
- Replace all parts and panels before operating.
- Do not store or use gasoline or other flammable vapors and liquids in the vicinity of this or any other appliance.
- Because of potential safety hazards under certain conditions, we strongly recommend against the use of an extension cord. However, if you must use an extension cord, it is absolutely necessary that it be a UL-listed (in the United States) or a CSA certified (in Canada), 3-wire grounding type appliance extension cord having a grounding type plug and outlet and that the electrical rating of the cord be 15 amperes (minimum) and 120 volts.
- To prevent suffocation and entrapment hazards to children, remove the fresh food and freezer doors from any refrigerator before disposing of it or discontinuing its use.
- Do not allow children to climb, stand or hang on the door handles or the shelves in the refrigerator. They could seriously injure themselves.

! CAUTION To reduce the risk of injury when using your refrigerator, follow these basic safety precautions.

- Do not clean glass shelves or covers with warm water when they are cold. Glass shelves and covers may break if exposed to sudden temperature changes or impact, such as bumping or dropping. Tempered glass is designed to shatter into many small pieces if it breaks.
- Keep fingers out of the "pinch point" areas; clearances between the doors and between the doors and cabinet are necessarily small. Be careful closing doors when children are in the area.
- Do not refreeze frozen foods which have thawed completely.
- In refrigerators with automatic icemakers, avoid contact with the moving parts of the ejector mechanism, or with the heating element that releases the cubes. Do not place fingers or hands on the automatic ice making mechanism while the refrigerator is plugged in.

SAFETY (CONT.)**INSTALLATION****⚠ WARNING**  **Explosion Hazard.**

Keep flammable materials and vapors, such as gasoline, away from refrigerator. Failure to do so can result in fire, explosion, or death.

CONNECTING ELECTRICITY**⚠ WARNING**  **Electrical Shock Hazard.**

Plug into a grounded 3-prong outlet
Do not remove the ground prong
Do not use an adapter

Failure to follow these instructions can result in death, fire, or electrical shock.

Do not, under any circumstances, cut or remove the third (ground) prong from the power cord. For personal safety, this appliance must be properly grounded.

The power cord of this appliance is equipped with a 3-prong (grounding) plug which mates with a standard 3-prong (grounding) wall outlet to minimize the possibility of electric shock hazard from this appliance.

Have the wall outlet and circuit checked by a qualified electrician to make sure the outlet is properly grounded.

Where a standard 2-prong wall outlet is encountered, it is your personal responsibility and obligation to have it replaced with a properly grounded 3-prong wall outlet. Do not use an adapter.

The refrigerator should always be plugged into its own individual electrical outlet which has a voltage rating that matches the rating plate.

A 115 Volt AC, 60 Hz, 15- or 20-amp fused, grounded electrical supply is required. This provides the best performance and also prevents overloading house wiring circuits which could cause a fire hazard from overheated wires.

Never unplug your refrigerator by pulling on the power cord. Always grip plug firmly and pull straight out from the outlet.

Repair or replace immediately all power cords that have become frayed or otherwise damaged. Do not use a cord that shows cracks or abrasion damage along its length or at either end.

When moving the refrigerator away from the wall, be careful not to roll over or damage the power cord.

PROPER DISPOSAL OF YOUR OLD REFRIGERATOR**⚠ WARNING** **Suffocation and child entrapment hazard.**

Remove fresh-food and freezer doors from the refrigerator, prior to disposal. Failure to do so can result in child entrapment which can lead to death or brain damage.

IMPORTANT:

Child entrapment and suffocation are not problems of the past. Junked or abandoned refrigerators are still dangerous even if they will sit for "just a few days." If you are getting rid of your old refrigerator, please follow the instructions below to help prevent accidents.

Before You Throw Away Your Old Refrigerator or Freezer:

- Take off the fresh food and freezer doors.
- Leave the shelves in place so that children may not easily climb inside.

Refrigerants

All refrigeration products contain refrigerants, which under federal law must be removed prior to product disposal. If you are getting rid of an old refrigeration product, check with the company handling the disposal about what to do.

⚠ WARNING **R600a Refrigerant**

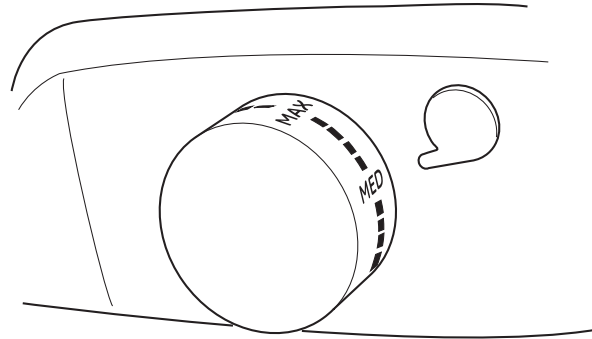
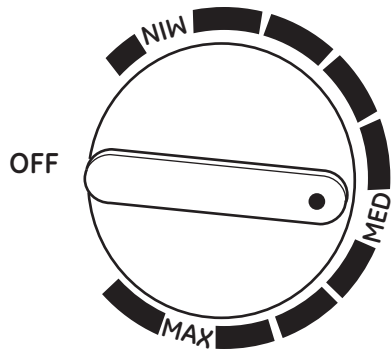
This appliance contains isobutane refrigerant, R600a, a natural gas with high environmental compatibility. However it is also combustible. Please adhere to the warnings below:

- 1) When handling, installing and operating the appliance, care should be taken to avoid damage to the refrigerant tubing.
- 2) Servicing shall be performed by factory-authorized service personnel and component parts shall be replaced with manufacturer-authorized replacement components.
- 3) Refrigeration products contain refrigerants, which under federal law must be removed prior to product disposal.
- 4) Keep ventilation openings in the appliance enclosures or in the built-in structure clear of obstruction.
- 5) Do not use mechanical devices or other means to accelerate the defrosting process.
- 6) Do not damage refrigerant circuit.
- 7) Do not use electrical appliances inside the food storage compartment of the appliance.



**READ AND FOLLOW THIS SAFETY INFORMATION CAREFULLY.
SAVE THESE INSTRUCTIONS**

About the refrigerator controls and features.



The control will look like one of the above.



Control Settings

The temperature control maintains the temperature in the refrigerator. Setting the control to MIN is the warmest setting. Setting the control to MAX is the coldest setting. Set the control to MED.

Allow 24 hours for the refrigerator to reach the MED temperature. If you want a colder or warmer temperature, move the dial one setting at a time. Moving the control to OFF stops cooling but does not turn off the power to the refrigerator. Setting the control too high may cause freezing in the refrigerator depending on the room temperature.

How To Test Temperatures

Use the milk test. Place a container of milk on a shelf and check it a day later. If the milk is too warm or too cold, adjust the temperature control.

After changing the control, allow 24 hours for the refrigerator to reach the temperature you have set.

Features

Shelves

To remove a shelf, lift up the back slightly and pull forward. Some models have multi-position shelves that can be moved to different levels.

Ice Tray Compartment

This compartment is designed for production of ice cubes and short-term storage (a few days at most) of some commercially-frozen foods when in contact with the evaporator (cold surface in compartment.)

Door Shelves

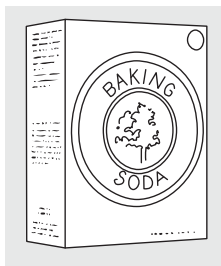
Shelves on the door provide convenient storage for frequently used items. Some models have doors that are deep enough to store large bottles.

Cleaning the Outside

Keep the outside clean. Wipe with a clean cloth lightly dampened with kitchen appliance wax or mild liquid dish detergent. Dry and polish with a clean, soft cloth.

Do not wipe the refrigerator with a soiled dish cloth or wet towel. These may leave a residue that can erode the paint. Do not use scouring pads, powdered cleaners, bleach or cleaners containing bleach because these products can scratch and weaken the paint finish.

Protect the paint finish. The finish on the outside of the refrigerator is a high quality, baked-on paint finish. With proper care, it will stay new-looking and rust-free for years. Apply a coat of kitchen/ appliance wax when the refrigerator is new, and then at least twice a year.



Cleaning the Inside

To help prevent odors, leave an open box of baking soda in the refrigerator.

Unplug the refrigerator before cleaning. If this is not practical, wring excess moisture out of sponge or cloth when cleaning around the control.

Use warm water and baking soda solution—about a tablespoon (15 ml) of baking soda to a quart (1 liter) of water. This both cleans and neutralizes odors. Rinse and wipe dry.

Other parts of the refrigerator—including door gaskets, fruit and vegetable drawers, and all plastic parts—can be cleaned the same way.

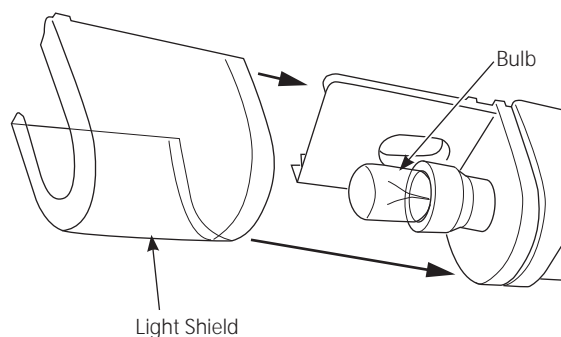
Do not wash any plastic refrigerator parts in the dishwasher.

Replacing the Light Bulb (on some models)

Unplug the refrigerator before replacing a burned-out bulb. Setting the controls to **OFF** does not remove power to the light circuit.

The light bulb is located behind the temperature control housing and is visible through the light shield.

Remove the light shield by snapping it from the bottom of the housing. Gently unscrew the light bulb. Replace with a bulb of the same or lower wattage.



Care and cleaning of the refrigerator.

Defrosting (on manual defrost models only)

Defrost whenever frost on the wall of the ice tray compartment becomes 1/4" thick.

Never use a sharp or metallic instrument to remove frost as it may damage the cooling coils. (A punctured cooling coil will cause serious problems and void the warranty.) We recommend using a plastic scraper. Do not use any electrical device in defrosting your refrigerator.

To defrost:

- Remove foods and ice trays from the ice tray compartment.
- Set the temperature control dial at OFF position.
- On models without a drip tray, place a pan beneath the ice tray compartment to collect water.

Defrosting usually takes a few hours. To defrost faster, keep the door open. Also, pouring warm (not hot) water on the frosted part may speed defrosting. **Do not use boiling water**—it may damage plastic parts.

After defrosting:

- Empty water from the drip tray or from the pan placed beneath the ice tray compartment. Wash the tray or pan with warm water.
- Wipe the ice tray compartment with a damp cloth.
- Turn the temperature control to the desired setting and return food and ice trays to the refrigerator.

NOTE: *If ice buildup is very thick, it may keep the ice tray compartment door from opening or closing completely. Don't try to force it open; after defrosting, the door will open and close easily.*

Preparing for Vacation

For long vacations or absences, remove food and unplug the refrigerator. Move the control to the **OFF** position, and clean the interior with a baking soda solution of one tablespoon (15 ml) of baking soda to one quart (1 liter) of water. Leave the door open.

Preparing to Move

Secure all loose items such as shelves and ice trays by taping them securely in place to prevent damage.

Be sure the refrigerator stays in an upright position during moving.

Installation Instructions

Refrigerator

3 Cubic Foot Models
4 Cubic Foot Models

If you have questions, call 1.800.GE.CARES or visit our Website at: GEAppliances.com
In Canada, call 1.800.561.3344 or Visit our Website at: www.geappliances.ca

BEFORE YOU BEGIN

Read these instructions completely and carefully.

- **IMPORTANT** – Save these instructions for local inspector's use.
- **IMPORTANT** – Observe all governing codes and ordinances.
- **Note to Installer** – Be sure to leave these instructions with the Consumer.
- **Note to Consumer** – Keep these instructions for future reference.

LOCATION REQUIREMENTS

- Do not install the refrigerator where the temperature will go below 50°F (10°C) because it will not run often enough to maintain proper temperatures.
- Install it on a floor strong enough to support it fully loaded.
- Do not install it in a recessed area.
- Do not build in the refrigerator.

CLEARANCES

Allow the following clearances for ease of installation and proper air circulation.

	3 and 4 Cubic Foot Models
Sides	1/2" (13 mm)
Top	2" (51 mm)
Back	2" (51 mm)**

** From the rear cabinet surface to the wall

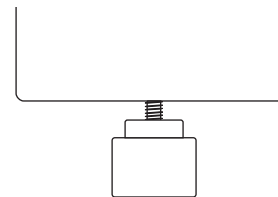
UNPACKING YOUR REFRIGERATOR

- Remove tape and any labels (except for the rating label) from your refrigerator. Tape or glue residue can also be removed by rubbing a small amount of liquid dish soap over the adhesive with your fingers. Wipe with warm water and dry.
- Do not use sharp instruments, rubbing alcohol, flammable fluids, or abrasive cleaners to remove tape or glue. These products can damage the surface of your refrigerator.
- When moving the refrigerator, do not tilt the refrigerator beyond 45° from upright position.

LEVELING LEGS

Adjustable legs at the front corners of the refrigerator should be set so the refrigerator is firmly positioned on the floor, and the front is raised just enough that the door closes easily when opened about halfway.

To adjust the leveling legs, turn the legs counterclockwise to raise the refrigerator, clockwise to lower it.



Turn counterclockwise to raise, clockwise to lower.

Installation Instructions

⚠ WARNING **Explosion Hazard.**

Keep flammable materials and vapors, such as gasoline, away from refrigerator. Failure to do so can result in fire, explosion, or death.

CONNECTING ELECTRICITY

⚠ WARNING **Electrical Shock Hazard.**

Plug into a grounded 3-prong outlet

Do not remove the ground prong

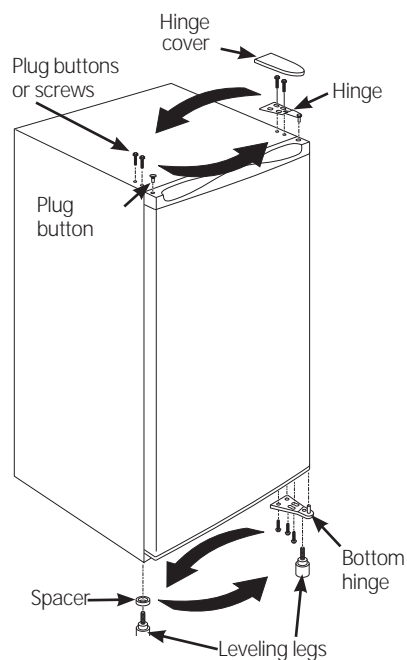
Do not use an adapter

Failure to follow these instructions can result in death, fire, or electrical shock.

POWER CORD

- Plug the refrigerator power cord into its own properly grounded wall outlet with a voltage rating matching that on the refrigerator rating plate.
- Do not use an extension cord.
- Read all safety precautions on pages 2 and 3.

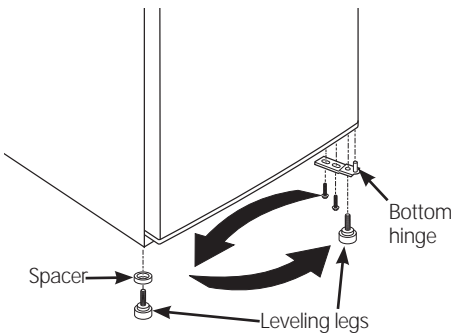
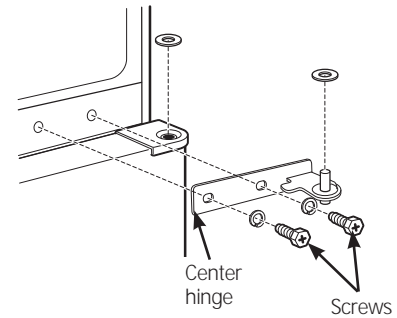
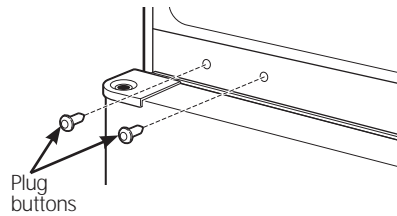
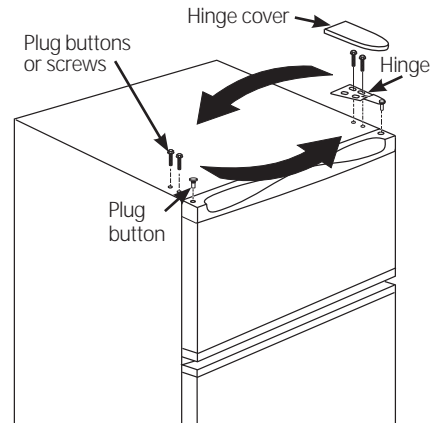
Door Reversal (on some models)



1. Remove the small plug button on the left side of the door top cap.
2. Remove the 2 plug buttons or screws on the left side on top of the cabinet.
3. Remove the plastic hinge cover by lifting it up by the front edge.
4. Remove the 2 screws from the top hinge.
5. Lift the door up and off the bottom hinge (right side).
6. Tilt the refrigerator cabinet back to remove the left leveling leg.
7. Remove the screws on the bottom hinge (right side) and remove the leveling leg. Move the bottom hinge to the left side and secure it with screws. Re-install the leveling legs.
- IMPORTANT:** The left leg has a spacer or spacer feature that must be moved to the right side leveling leg when the door swing is reversed.
8. Screw the right leveling leg, with the spacer, back in place on the right side.
9. Position the door on the left bottom hinge. With the magnetic gasket holding the door in place, secure the top hinge with screws.
10. **Make sure the door is aligned with the refrigerator cabinet before continuing.**
11. Replace the hinge cover on top of the hinge.
12. Put the plug button in the hole on the right side of the door cap.
13. Put the 2 plug buttons on the right side on top of the cabinet

Installation Instructions

2-Door Reversal (on some models)



1. Remove the small plug button on the left side of the door top cap.
2. Remove the 2 plug buttons or screws on the left side on top of the cabinet.
3. Remove the plastic hinge cover by lifting it up by the front edge.
4. Remove the 2 screws from the top hinge.
5. Lift the freezer door up and off the middle hinge (right side). Set the door on a non-scratching surface with the outside up.
6. Remove the center hinge by removing the 2 screws. Lift the hinge to remove.
7. Lift the fresh food door off of the bottom hinge. Set the door on a non-scratching surface with the outside up.
8. Tilt the refrigerator cabinet back to remove the left leveling leg.
9. Remove the screws on the bottom hinge (right side) and remove the leveling leg. Move the bottom hinge to the left side and secure it with screws. Re-install the leveling legs.

IMPORTANT: The left leg has a spacer or spacer feature that must be moved to the right side leveling leg when the door swing is reversed.

10. Screw the right leveling leg, with the spacer, back in place on the right side.
11. Remove the two plug buttons on the left side at the center and install them on the right.
12. Position the door on the left bottom hinge. With the magnetic gasket holding the door in place, make sure the door is aligned with the refrigerator, and secure the center hinge on the left with screws.
13. Place the freezer door on the center hinge over the pin. Assure the door is aligned horizontally and vertically, and that the gasket seals on all sides.
14. Replace the top hinge on the left side with screws.
15. Replace the hinge cover on top of the hinge.
16. Put the plug button in the hole on the right side of the door cap.
17. Put the 2 plug buttons on the right side on top of the cabinet

Before you call for service...



Troubleshooting Tips
Save time and money! Review the chart below first and you may not need to call for service.

<i>Problem</i>	<i>Possible Causes</i>	<i>What To Do</i>
<i>Refrigerator does not operate</i>	Control in OFF position.	Move the control to a temperature setting.
	Refrigerator is unplugged.	Push the plug completely into the outlet.
	The fuse is blown/circuit breaker is tripped.	Replace fuse or reset the breaker.
<i>Vibration or rattling (slight vibration is normal)</i>	Front leveling legs need adjusting.	See <i>Leveling Legs</i> .
	Refrigerator is on an uneven surface.	Use shims to level the refrigerator.
<i>Motor operates for long periods or cycles</i>	Normal when refrigerator is first plugged in.	Wait 24 hours for the refrigerator to completely cool down.
	Often occurs when large amounts of food are placed in refrigerator.	This is normal.
	Door left open.	Check to see if package is holding door open.
	Hot weather or frequent door openings.	This is normal.
	Temperature control set at the coldest setting.	See <i>About the control</i> .
	Not enough clearance from the wall.	See <i>Clearances in Preparing to install the refrigerator</i> .
<i>Refrigerator too warm</i>	Temperature control not set cold enough.	See About the control.
	Warm weather or frequent door openings.	Set the temperature control one step colder. See About the control.
	Door left open.	Check to see if package is holding door open.
	Cabinet sides are warm	This is normal for a hot wall type condenser.
<i>Refrigerator has odor</i>	Foods transmitting odor to refrigerator.	Foods with strong odors should be tightly wrapped.
		Keep an open box of baking soda in the refrigerator; replace every three months.
<i>Moisture forms on outside of refrigerator</i>	Not unusual during periods of high humidity.	Wipe surface dry.
<i>Moisture collects inside (in humid weather, air carries moisture into refrigerator when door is opened)</i>	Too frequent or too long door openings.	
<i>Refrigerator too cold</i>	Temperature control set too cold.	See About the control.

Refrigerator Warranty.



For US Customers, all warranty service provided by our Factory Service Centers, or an authorized Customer Care® technician. To schedule service, on-line, 24 hours a day, visit us at GEAppliances.com, or call 800.GE.CARES (800.432.2737). Please have serial number and model number available when calling for service.

In Canada, call 800.561.3344.

Staple your receipt here. Proof of the original purchase date is needed to obtain service under the warranty.

For the Period of:	GE Will Replace
One Year From the date of the original purchase	Any part of the refrigerator which fails due to a defect in materials or workmanship. During this period of One Year from the date of original purchase, GE will choose, at its option, to replace or service the defective unit. During this limited one-year warranty, should GE choose to service the unit, GE will provide any part of the freezer which fails due to a defect in materials or workmanship and free of charge, all labor and related service costs to replace the defective part. During this limited one-year warranty, should GE choose to replace the unit, it may do so by providing you with a certificate redeemable at a retailer for a replacement product.

What is Not Covered:

- Service trips to your home to teach you how to use the product.
- Improper installation, delivery or maintenance.
- Failure of the product if it is abused, misused, or used for other than the intended purpose or used commercially.
- Loss of food due to spoilage.
- Damage caused after delivery.
- Replacement of house fuses or resetting of circuit breakers.
- Replacement of the light bulbs.
- Damage to the product caused by accident, fire, floods or acts of God.
- Incidental or consequential damage caused by possible defects with this appliance.
- Product not accessible to provide required service.
- Associated costs when GE chooses to issue the consumer a certificate as a form of product replacement.

EXCLUSION OF IMPLIED WARRANTIES—Your sole and exclusive remedy is product repair as provided in this Limited Warranty. Any implied warranties, including the implied warranties of merchantability or fitness for a particular purpose, are limited to one year or the shortest period allowed by law.

For US Customers: This warranty is extended to the original purchaser and any succeeding owner for products purchased for home use within the USA. If the product is located in an area where service by a GE Authorized Servicer is not available, you may be responsible for a trip charge or you may be required to bring the product to an Authorized GE Service location for service. In Alaska, the warranty excludes the cost of shipping or service calls to your home.

Some states do not allow the exclusion or limitation of incidental or consequential damages. This warranty gives you specific legal rights, and you may also have other rights which vary from state to state. To know what your legal rights are, consult your local or state consumer affairs office or your state's Attorney General.

Warrantor US: General Electric Company, Louisville, KY 40225

For Customers in Canada: This warranty is extended to the original purchaser and any succeeding owner for products purchased in Canada for home use within Canada. In-home warrant service will be provided in areas where it is available and deemed reasonable by Mabe to provide.

Warrantor Canada: MC Commercial, Burlington, Ontario, L7R 5B6

Mesures de sécurité 14, 15

Fonctionnement

Réglage des commandes 16

Composants du réfrigérateur 16

Entretien et nettoyage 13

Remplacement de l'ampoule 5

Installation 7-9

Conseils de dépannage 10

Soutien au consommateur

Garantie pour la clientèle au Canada 11

Soutien au consommateur Back Cover

ATTENTION :

Dégivrage — N'utilisez pas d'objets coupants ou pointus pour enlever le givre ou la glace des surfaces du compartiment congélateur. Sinon, vous risquez de percer le serpentín de refroidissement et l'appareil sera incapable de maintenir des températures froides. Cette négligence annulera la garantie. Consultez la section *Entretien et nettoyage* pour des instructions sur le dégivrage du compartiment congélateur.

Transcrivez les numéros de modèle et de série ici :

de modèle _____

de série _____

Ils figurent sur l'étiquette qui se trouve à l'intérieur du compartiment réfrigérateur en haute à droite.

INSTRUCTIONS IMPORTANTES DE SÉCURITÉ. LISEZ TOUTES LES INSTRUCTIONS AVANT D'UTILISER VOTRE RÉFRIGÉRATEUR.

SÉCURITÉ

IMPORTANTES CONSIGNES DE SÉCURITÉ VEUILLEZ LIRE TOUTES LES CONSIGNES AVANT UTILISATION



Site Internet d'Électroménagers GE

Pour de plus amples informations sur le fonctionnement de votre réfrigérateur, consultez le site www.electromenagersge.ca ou composez le 800.561.3344.

! Ce symbole représente une alerte de sécurité. Ce symbole vous avise de dangers possibles pouvant causer la mort, des blessures ou autres. Tous les messages de sécurité seront précédés du symbole d'alerte de sécurité ainsi que des mots « DANGER », « AVERTISSEMENT » ou « MISE EN GARDE ». Ces messages sont les suivants :

! DANGER Signale une situation qui présente un danger imminent et qui, si elle n'est pas évitée, entraînera des blessures graves, voire la mort.

! AVERTISSEMENT Signale une situation qui présente un danger imminent et qui, si elle n'est pas évitée, peut entraîner des blessures graves, voire la mort.

! ATTENTION Signale une situation qui présente un danger imminent et qui, si elle n'est pas évitée, peut entraîner des blessures mineures ou graves.

IMPORTANTES CONSIGNES DE SÉCURITÉ

! AVERTISSEMENT Pour réduire le risque d'incendie, d'explosion, de choc électrique ou de blessures lorsque vous utilisez votre réfrigérateur, veuillez suivre ces consignes de sécurité :

- Ce réfrigérateur doit être correctement installé conformément aux Consignes d'Installation avant toute utilisation.
- Débranchez le réfrigérateur avant d'effectuer une réparation, de remplacer une ampoule ou de le nettoyer.
Remarque : L'alimentation du réfrigérateur ne peut être déconnectée par aucune des fonctions sur le panneau de commande.
Remarque : Les réparations doivent être effectuées par un professionnel qualifié.
- Remettez toutes les pièces et panneaux en place avant d'utiliser l'appareil.
- Ne stockez pas ou n'utilisez pas d'essence ou d'autres vapeurs et liquides inflammables à proximité de cet appareil ou de tout autre appareil électroménager.
- Nous déconseillons fortement l'utilisation d'une rallonge à cause des risques potentiels dans certaines conditions. Cependant, si l'utilisation d'un cordon prolongateur est nécessaire, ce dernier doit obligatoirement être homologué UL (aux USA) ou CSA (au Canada), à trois brins avec mise à la terre pour appareil électroménager et doit être équipé d'une fiche et d'une prise femelle avec terre. Les caractéristiques électriques du cordon prolongateur doivent être de 15 ampères (minimum) et de 120 volts.
- Pour éviter les risques d'asphyxie et d'enfermement pour les enfants. Démontez les portes du congélateur et du compartiment de réfrigération avant de le mettre au rebut ou d'interrompre son utilisation.
- Ne laissez pas les enfants grimper, se mettre debout ou se suspendre aux poignées de portes dans le réfrigérateur ou aux clayettes du réfrigérateur. Ils pourraient se blesser gravement.

! ATTENTION Pour réduire le risque de blessures lorsque vous utilisez votre réfrigérateur, veuillez suivre ces consignes de sécurité.

- Ne nettoyez pas les clayettes ou les couvercles en verre avec de l'eau tiède quand ceux-ci sont froids. Les clayettes et couvercles en verre peuvent se casser s'ils sont exposés à des changements soudains de température ou si vous les cognez ou les faites tomber. Le verre trempé est conçu pour se briser en petits morceaux en cas de casse.
- Éloignez les doigts des parties du congélateur où l'on peut facilement se pincer : les espaces entre les portes, et entre les portes et les placards sont toujours étroits. Soyez prudent lorsque vous fermez les portes en présence d'enfants.
- Ne recongelez pas les aliments surgelés qui ont complètement dégelé.
- Si votre réfrigérateur est doté d'une machine à glaçons automatique, évitez le contact avec les pièces mobiles du mécanisme éjecteur, ou avec l'élément chauffant qui libère les glaçons. Ne posez pas les doigts ou les mains sur le mécanisme de la machine à glaçons automatique pendant que le réfrigérateur est branché.

SÉCURITÉ (CONT.)

INSTALLATION



AVERTISSEMENT

**Risque d'explosion.**

Conservez les matériaux et vapeurs inflammables tels que l'essence à l'écart de votre réfrigérateur. Une explosion, un incendie voire la mort pourrait en résulter.

BRANCHEMENTS ÉLECTRIQUES



AVERTISSEMENT

**Risque de choc électrique.**

Branchez l'appareil dans une prise triple avec terre. Ne retirez pas la broche de terre. N'utilisez pas d'adaptateur.

Le non-respect de ces instructions peut entraîner des risques d'incendies, des chocs électriques ou la mort.

Ne coupez pas ou n'enlevez pas, sous aucun prétexte, la troisième broche de mise à la terre du cordon d'alimentation. Pour des raisons de sécurité, cet appareil doit être correctement mis à la terre.

Le cordon d'alimentation de cet appareil est équipé d'une fiche à trois broches (pour une mise à la terre) qui s'adapte à la prise de courant standard à 3 broches (pour une mise à la terre) pour minimiser les risques de chocs électriques par cet appareil.

Faites vérifier la prise murale et le circuit électrique par un électricien qualifié pour s'assurer que le système est correctement mis à la terre.

Dans le cas d'une prise biphasée, l'installateur a la responsabilité et l'obligation de la remplacer par une prise triphasée correctement mise à la terre. N'utilisez pas d'adaptateur.

Le réfrigérateur doit toujours être branché à sa propre prise électrique d'une tension nominale correspondant à celle indiquée sur sa plaque signalétique.

Une alimentation électrique à 115 volts CA, 60 Hz, avec un fusible de 15 ou 20 ampères et une mise à la terre est nécessaire. Ceci permet d'obtenir un meilleur rendement et évite de surcharger les circuits électriques du domicile qui risque d'occasionner un incendie en surchauffant.

Ne débranchez jamais le réfrigérateur en tirant sur le cordon d'alimentation. Prenez toujours fermement la fiche en main et tirez pour la sortir de la prise.

Réparez ou remplacez immédiatement tout cordon électrique usé ou endommagé. N'utilisez pas un cordon fissuré ou présentant des dommages dus aux frottements soit sur sa longueur ou aux extrémités.

Lorsque vous éloignez votre réfrigérateur du mur, faites attention à ne pas le faire rouler sur le cordon d'alimentation afin de ne pas l'endommager.

MISE AU REBUT APPROPRIÉE DE VOTRE ANCIEN RÉFRIGÉRATEUR



AVERTISSEMENT

Un enfant risque de suffoquer ou d'y être emprisonné.

Démontez les portes du compartiment de réfrigération et du compartiment de congélation du réfrigérateur, avant mettre celui-ci au rebut. Le non-respect de cette recommandation peut entraîner l'enfermement d'un enfant qui peut entraîner la mort ou des lésions cérébrales.

IMPORTANT:

Les enfants pris au piège ou morts d'asphyxie sont toujours d'actualité. Les réfrigérateurs jetés ou abandonnés restent dangereux même si vous ne les laissez au rebut que pour « quelques jours ». Si vous voulez jeter votre ancien réfrigérateur, suivez les instructions suivantes pour empêcher les accidents.

Avant de jeter votre ancien réfrigérateur ou congélateur:

- Démontez les portes du compartiment de réfrigération et du compartiment de congélation.
- Laissez les clayettes en place, pour éviter que des enfants puissent facilement grimper dans votre réfrigérateur.

Fluides frigorigènes

Les appareils réfrigérants contiennent des fluides frigorigènes qui conformément à la législation fédérale doivent être retirés avant la mise au rebut de l'appareil. Si vous mettez au rebut un ancien réfrigérateur contenant des fluides frigorigènes, vérifiez la procédure à suivre auprès de la compagnie responsable de l'élimination.



AVERTISSEMENT

Liquide frigorigène R600a

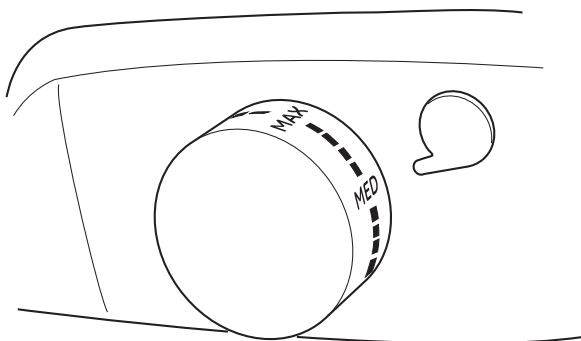
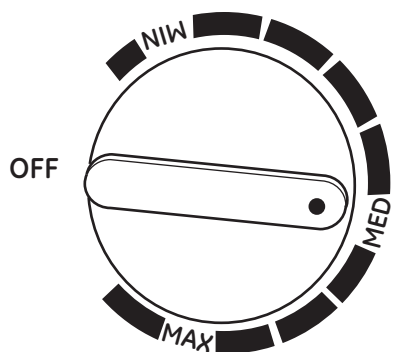
Avertissement: Cet appareil contient un fluide frigorigène isobutane, R600a, un gaz naturel d'une grande compatibilité environnementale. Il s'agit toutefois d'un combustible. Veuillez respecter les avertissements suivants :

- 1) Lors de la manipulation, de l'installation et de l'utilisation de cet appareil, prenez soin de ne pas endommager les tubes de circulation du fluide frigorigène.
- 2) L'entretien doit être effectué par un technicien de service autorisé par le fabricant. Les pièces seront remplacées par des pièces recommandées par le fabricant.
- 3) Les appareils réfrigérants contiennent des fluides frigorigènes qui conformément à la législation fédérale doivent être retirés avant la mise au rebut de l'appareil.
- 4) N'obstruez pas les événements dans l'enceinte prévue pour l'appareil.
- 5) N'utilisez pas d'appareils ou autres moyens mécaniques pour accélérer le processus de dégivrage.
- 6) N'endommagez pas le circuit du fluide frigorigène.
- 7) N'utilisez pas d'appareils électriques dans le compartiment réfrigérateur de cet appareil.



**LISEZ ET SUIVEZ SOIGNEUSEMENT CES MESURES DE SÉCURITÉ.
CONSERVEZ CES INSTRUCTIONS**

À propos des commandes et des composants du réfrigérateur.



La commande ressemblera à l'une de celles illustrées ci-dessus.



Réglage des commandes

La commande de température maintient la température dans le réfrigérateur. Un réglage sur MIN correspond à la température la plus chaude et sur MAX, la plus froide. Réglez la commande sur MED (moyenne).

Allouez 24 heures pour atteindre la température MED (moyenne). Si vous souhaitez une température plus froide ou plus chaude, tournez le cadran un réglage à la fois. Mettre la commande à OFF (arrêt) met fin au refroidissement mais ne coupe pas l'alimentation électrique au réfrigérateur. Un réglage à une température trop froide peut causer la formation de givre dans le réfrigérateur selon la température de la pièce.

Comment faire un essai de température

Faites l'essai du lait. Placez un contenant de lait sur une clayette et inspectez-la plus tard. Si le lait est trop chaud ou trop froid, ajustez la température.

Après un nouveau réglage, allouez 24 heures pour atteindre la température choisie.

Composants

Clayettes

Pour retirer une clayette, soulevez l'arrière légèrement puis tirez vers l'avant. Certains modèles sont dotés de clayettes multipositions qui peuvent être placées à différents niveaux.

Compartment des plateaux à glaçons

Ce compartiment est destiné à la production de cubes de glace et au rangement à court terme (quelques jours au maximum) de certains aliments précongelés lorsqu'en contact avec l'évaporateur (surface froide dans le compartiment.)

Balconnets de porte

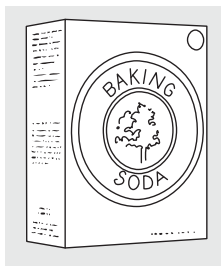
Les balconnets de porte procurent un rangement pratique pour les articles fréquemment utilisés. Certains modèles sont dotés de portes suffisamment profondes pour y ranger de grosses bouteilles.

Nettoyage de l'extérieur

Conservez l'extérieur propre. Essayez avec un linge propre légèrement humecté de cire à appareil électroménager ou de détergent liquide à vaisselle doux. Séchez et polissez avec un linge doux, propre.

N'essayez jamais votre réfrigérateur avec un torchon sale ou une serviette mouillée. Cela peut laisser un résidu qui risque d'endommager la peinture. N'utilisez jamais de tampon à récurer, de nettoyant en poudre, d'eau de javel ou de produit nettoyant contenant un agent de blanchiment ou d'ammoniac, car ces produits peuvent rayer et endommager la peinture.

Protégez le fini. Le réfrigérateur est doté d'une peinture extérieure cuite au four de haute qualité. Un entretien adéquat conservera son aspect neuf et ses propriétés antirouille pendant des années. Appliquez une couche de cire pour électroménagers sur le réfrigérateur à l'état neuf, puis deux fois l'an par la suite.



Nettoyage de l'intérieur

Pour aider à empêcher les odeurs, laissez une boîte ouverte de bicarbonate de soude dans les compartiments réfrigération et congélation.

Débranchez le réfrigérateur avant de le nettoyer. Si cela n'est pas pratique, essorez le surplus d'humidité de l'éponge ou du linge lors du nettoyage à proximité de la commande.

Utilisez une solution d'eau tiède et de bicarbonate de soude – environ une cuillerée à table (15 ml) de bicarbonate de soude dans un litre d'eau. Cela aura pour effet de nettoyer et

de neutraliser les odeurs. Rincez puis essuyez pour assécher.

Les autres composants du réfrigérateur – incluant les joints d'étanchéité de porte, les tiroirs des fruits et légumes et toutes les pièces en plastique – peuvent être nettoyés de la même façon.

Ne lavez pas les pièces en plastique du réfrigérateur au lave-vaisselle.

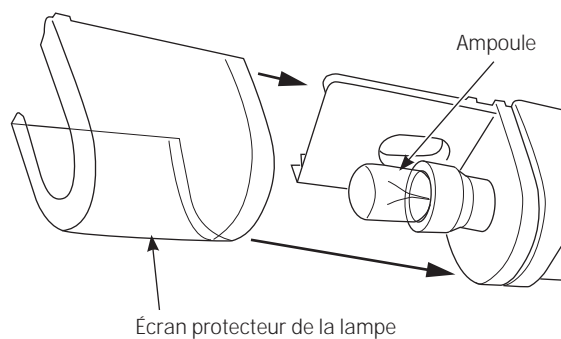
Remplacement de l'ampoule (certains modèles)

Débranchez le réfrigérateur avant de remplacer une ampoule grillée. Placer la commande à **OFF** (arrêt) ne coupe pas l'alimentation électrique au circuit de la lampe.

L'ampoule est située derrière le boîtier de la commande de température et elle est visible à

travers l'écran protecteur de la lampe.

Enlevez l'écran protecteur en le dégageant du bas du boîtier. Dévissez l'ampoule avec précaution. Remplacez-la par une ampoule d'une tension (watts) égale ou inférieure.



Entretien et nettoyage.

Dégivrage (modèles à dégivrage manuel seulement)

Procédez au dégivrage dès qu'une épaisseur de givre de 1/4 po (6 mm) se forme sur la paroi du compartiment des plateaux à glaçons.

N'utilisez jamais un instrument coupant ou métallique pour dégager le givre car cela pourrait endommager les serpentins de refroidissement. (Un serpentin percé causera des problèmes importants et annulera la garantie.) Nous recommandons d'utiliser un grattoir en plastique. N'utilisez aucun appareil électrique pour dégivrer votre réfrigérateur.

Pour dégivrer :

- Retirez les aliments et les plateaux du compartiment des plateaux à glaçons.
- Tournez le cadran de la commande de température à la position OFF (arrêt).
- Sur les modèles sans plateau de dégivrage, placez un récipient sous le compartiment des plateaux à glaçons pour recueillir l'eau.

En général, le dégivrage prend quelques heures. Pour procéder plus rapidement, gardez la porte ouverte. Vous pouvez aussi verser de l'eau modérément chaude (non bouillante) sur la zone givrée pour accélérer le processus.

N'utilisez pas d'eau bouillante car elle peut endommager les pièces en plastique.

Après le dégivrage :

- Videz l'eau du plateau de dégivrage ou du récipient placé sous le compartiment des plateaux à glaçons. Lavez le plateau ou le récipient à l'eau modérément chaude.
- Essuyez le compartiment des plateaux à glaçons avec un linge humide.
- Tournez la commande de température sur le réglage désiré et remettez les aliments et les plateaux dans le réfrigérateur.

***NOTE :** Si l'accumulation de givre est très épaisse, l'ouverture ou la fermeture de la porte du compartiment peut être entravée. Ne forcez pas le mouvement; après le dégivrage, la porte se maniera facilement.*

Préparation de départ en vacances

Pendant les vacances ou des absences prolongées, retirez les aliments et débranchez le réfrigérateur. Tournez la commande à la position **OFF** (arrêt) et nettoyez l'intérieur avec une solution d'une cuillerée à table (15 ml) de bicarbonate de soude et de 1 litre d'eau.

Laissez la porte ouverte.

Préparation de déménagement

Fixez en place toutes les pièces mobiles, comme la grille, les clayettes et les tiroirs, à l'aide de ruban adhésif, pour empêcher tout dommage.

Assurez-vous que votre réfrigérateur soit en position droite pendant le déménagement.

Instructions d'installation

Réfrigérateur

Modèles 3 pieds cubes

Modèles 3 pieds cubes

Si vous avez des questions, appelez le 1.800.561.3344 ou visitez notre site Web à l'adresse:
www.electromenagersge.ca

AVANT DE COMMENCER

Veillez lire toutes les directives attentivement.

- **IMPORTANT** – Conservez ces instructions pour l'inspecteur local.
- **IMPORTANT** – Respectez toutes les ordonnances et les codes locaux.
- **Note à l'installateur** – Assurez-vous de laisser ces instructions au consommateur.
- **Note au consommateur** – Conservez ces instructions pour référence future.

SPÉCIFICATIONS D'EMPLACEMENT

- N'installez jamais votre réfrigérateur dans un emplacement où la température ambiante sera inférieure à 12.7°C (55°F). Il ne se mettra pas en marche suffisamment souvent pour maintenir des températures convenables.
- Installez votre réfrigérateur sur un plancher suffisamment solide pour le porter lorsqu'il est plein.
- Ne placez pas l'appareil dans un renforcement.
- N'encastrez pas le réfrigérateur.

DÉGAGEMENTS

Prévoyez les dégagements suivants pour faciliter l'installation, la bonne circulation d'air et les raccordements de plomberie et d'électricité.

Côtés : 13 mm (1/2")

Dessus : 51 mm (2")

Arrière : 51 mm (2") **

**Depuis la face arrière de la carrosserie jusqu'au mur

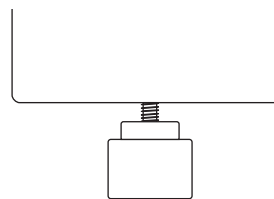
DÉBALLAGE DU RÉFRIGÉRATEUR

- Retirez le ruban adhésif et toute étiquette (sauf l'étiquette des spécifications) du réfrigérateur. Les résidus de ruban ou de colle peuvent se dégager en frottant une petite quantité de savon à vaisselle liquide sur l'adhésif avec les doigts. Essuyez avec un chiffon imbibé d'eau chaude puis asséchez.
- N'utilisez pas d'instruments coupants, d'alcool à friction, de liquides inflammables ni de nettoyeurs abrasifs pour enlever le ruban ou la colle. Ces produits peuvent endommager la surface de votre réfrigérateur.
- Lors de son déplacement, ne penchez pas le réfrigérateur de plus de 45° par rapport à sa position droite.

PIEDS DE NIVELLEMENT

Les pieds ajustables dans les coins avant du réfrigérateur doivent être ajustés de façon que le réfrigérateur repose solidement contre le plancher; il faut aussi que l'avant soit légèrement plus haut afin que les portes se ferment aisément lorsqu'elles sont ouvertes à mi-course.

Pour ajuster les pieds, tournez-les dans le sens des aiguilles d'une montre pour abaisser le réfrigérateur, et dans le sens inverse pour le soulever.



Tournez dans le sens des aiguilles
pour abaisser, dans le sens inverse
pour soulever.

Instructions d'installation



AVERTISSEMENT



Risque d'explosion.

Conservez les matériaux et vapeurs inflammables tels que l'essence à l'écart de votre réfrigérateur. Une explosion, un incendie voire la mort pourrait en résulter.

BRANCHEMENTS ÉLECTRIQUES



AVERTISSEMENT



Risque de choc électrique.

Branchez l'appareil dans une prise triple avec terre.

Ne retirez pas la broche de terre.

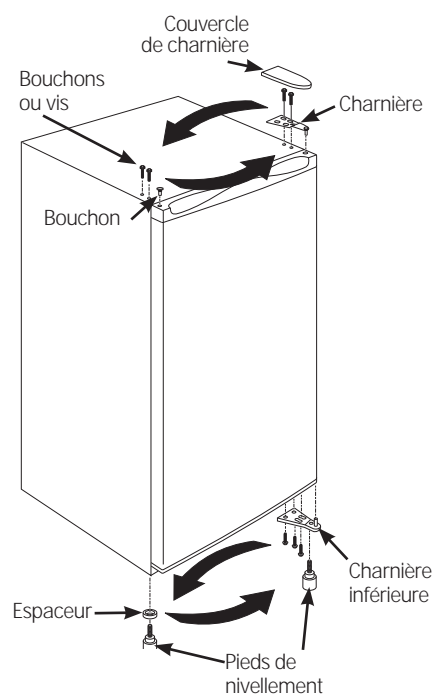
N'utilisez pas d'adaptateur.

Le non-respect de ces instructions peut entraîner des risques d'incendies, des chocs électriques ou la mort.

CORDON D'ALIMENTATION

- Branchez le cordon d'alimentation du réfrigérateur dans sa propre prise murale correctement mise à la terre; la spécification de tension de la prise doit correspondre à celle figurant sur la fiche signalétique du réfrigérateur.
- N'utilisez pas une rallonge.
- Lisez les consignes de sécurité des pages 2 et 3.

Permutation des portes (certains modèles)

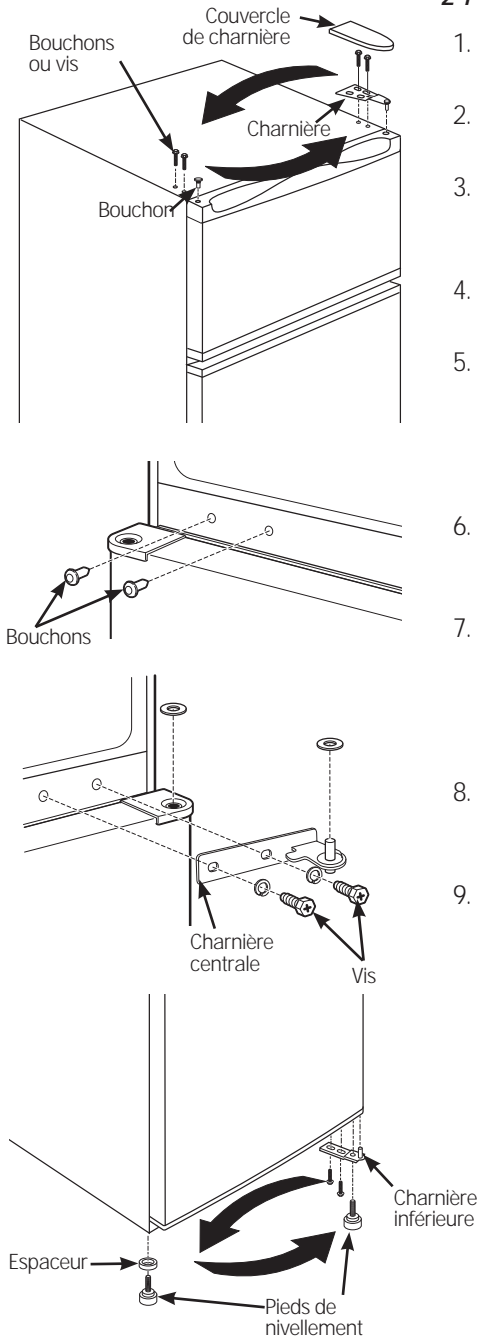


1. Enlevez le petit bouchon du côté gauche de la moulure de porte supérieure.
2. Enlevez les 2 bouchons ou vis du côté gauche du dessus de la carrosserie.
3. Enlevez le couvercle de charnière en plastique en le soulevant par son bord avant.
4. Enlevez 2 vis de la charnière supérieure.
5. Soulevez la porte puis dégagez-la de la charnière inférieure (côté droit).
6. Penchez la carrosserie du réfrigérateur vers l'arrière pour enlever le pied de nivellement gauche.
7. Enlevez les vis de la charnière inférieure (côté droit) et enlevez le pied de nivellement. Déplacez la charnière inférieure du côté gauche et fixez-la avec des vis. Reposer les pieds de nivellement.
8. Vissez le pied de nivellement droit (avec l'espaceur) à sa position du côté droit.
9. Placez la porte sur la charnière inférieure gauche. En vous assurant que le joint d'étanchéité magnétique maintient la porte en place, fixez la charnière supérieure avec les vis.
10. **Assurez-vous que la porte est alignée sur la carrosserie du réfrigérateur avant de poursuivre.**
11. Remplacez le couvercle de charnière sur le dessus de la charnière.
12. Insérez le bouchon dans le trou du côté droit de la moulure de porte.
13. Insérez les 2 bouchons du côté droit du dessus de la carrosserie.

IMPORTANT : Le pied gauche est muni d'un espaceur ou l'équivalent qui doit être déplacé du côté droit du pied de nivellement lorsque l'ouverture de la porte est inversée.

Instructions d'installation

2-Permutation des portes (certains modèles)



1. Enlevez le petit bouchon du côté gauche de la moulure de porte supérieure.
2. Enlevez les 2 bouchons ou vis du côté gauche du dessus de la carrosserie.
3. Enlevez le couvercle de charnière en plastique en le soulevant par son bord avant.
4. Enlevez les 2 vis de la charnière supérieure.
5. Soulevez la porte du congélateur puis dégagez-la de la charnière centrale (côté droit). Placez la porte sur une surface non abrasive avec l'extérieur orienté vers le haut.
6. Enlevez les 2 vis qui fixent la charnière centrale. Soulevez la charnière pour la dégager.
7. Soulevez la porte du compartiment réfrigérateur pour la dégager de la charnière inférieure. Placez la porte sur une surface non abrasive avec l'extérieur orienté vers le haut.
8. Penchez la carrosserie du réfrigérateur vers l'arrière pour enlever le pied de nivellement gauche.
9. Enlevez les vis de la charnière inférieure (côté droit) ainsi que le pied de nivellement. Déplacez la charnière inférieure du côté gauche et fixez-la avec les vis. Reposez les pieds de nivellement.

IMPORTANT : Le pied gauche est muni d'un espaceur ou l'équivalent qui doit être déplacé du côté droit du pied de nivellement lorsque l'ouverture de la porte est inversée.

10. Vissez le pied de nivellement droit (avec l'espaceur) à sa position du côté droit.
11. Enlevez les deux bouchons du côté gauche au centre et posez-les à droite.
12. Placez la porte sur la charnière inférieure gauche. En vous assurant que le joint d'étanchéité magnétique maintient la porte en place, assurez-vous que la porte est alignée sur le réfrigérateur, et fixez la charnière centrale sur la gauche avec les vis.
13. Placez la porte du congélateur sur la charnière centrale sur son axe. Assurez-vous que la porte est alignée sur les plans horizontal et vertical, et que le joint d'étanchéité est bien appuyé sur tous les côtés.
14. Remplacez la charnière supérieure du côté gauche à l'aide de vis.
15. Remplacez le couvercle de charnière sur le dessus de la charnière.
16. Insérez le bouchon dans le trou du côté droit de la moulure de porte.
17. Insérez les 2 bouchons du côté droit du dessus de la carrosserie.

Avant d'appeler un réparateur...



Conseils de dépannage—Économisez du temps et de l'argent! Consultez d'abord les tableaux qui suivent et vous pouvez peut-être éviter de faire appel à un réparateur.

<i>Problème</i>	<i>Causes possibles</i>	<i>Correctifs</i>
<i>Le réfrigérateur ne fonctionne pas</i>	Commande à la position OFF (arrêt).	Déplacez la commande sur un réglage de température.
	Le réfrigérateur est débranché.	Enfoncez la fiche de l'appareil dans la prise murale.
	Le fusible est grillé/le disjoncteur est déclenché.	Remplacez le fusible ou réarmez le disjoncteur.
<i>Vibration ou bruit métallique (une légère vibration est normale)</i>	Il faut ajuster les pieds de nivellement avant.	Voir la section <i>Pieds de nivellement</i> .
	Le réfrigérateur repose sur une surface non uniforme.	Use shims to level the refrigerator.
<i>Le moteur fonctionne pendant de longues périodes</i>	Ceci est normal lorsque le réfrigérateur vient d'être branché.	Attendez 24 heures pour que le réfrigérateur refroidisse complètement.
	Une grande quantité d'aliments a été mise au réfrigérateur.	C'est normal.
	Porte laissée ouverte.	Vérifiez qu'il n'y a pas un paquet qui empêche la porte de fermer.
	Temps chaud ou ouverture fréquente des portes.	C'est normal.
	Les commandes de température ont été réglées à la température la plus froide.	Consultez <i>Les commandes</i> .
	Dégagement insuffisant jusqu'au mur.	Voir la rubrique <i>Dégagements</i> dans la section <i>Avant de commencer</i> .
<i>Température trop élevée dans le réfrigérateur</i>	La commande de température n'a pas été réglée à une température assez basse.	Consultez <i>Les commandes</i> .
	Temps chaud ou ouverture fréquente des portes.	Abaissez la commande de température d'une position Consultez <i>Les commandes</i> .
	Porte laissée ouverte.	Vérifiez qu'il n'y a pas un paquet qui empêche la porte de fermer.
	Les côtés de la carrosserie sont chauds	Cela est normal pour un condenseur de type à parois chaudes.
<i>Odeur dans le réfrigérateur</i>	Des aliments ont transmis leur odeur au réfrigérateur.	Les aliments à odeur forte doivent être emballés hermétiquement.
		Gardez une boîte ouverte de bicarbonate de soude dans le réfrigérateur.
<i>De la condensation s'accumule à l'extérieur</i>	Cela n'est pas inhabituel pendant les périodes de forte humidité.	Essuyez bien la surface extérieure.
<i>De la condensation s'accumule à l'intérieur (par temps humide, l'ouverture des portes laisse entrer de l'humidité)</i>	Les portes sont ouvertes trop fréquemment ou pendant trop longtemps.	
<i>Le réfrigérateur est trop froid</i>	La commande est réglée à une température trop froide.	Voir la section <i>À propos des commandes et des composants du réfrigérateur</i> .

Garantie du réfrigérateur.



Pour les clients des États-Unis, toutes les réparations en vertu de la garantie sont fournies par nos Centre de Service d'Usine ou par un technicien autorisé Customer Care®. Pour prévoir une réparation, consultez notre site GEAppliances.com ou appelez le 800.GE.CARE5 (800.432.2737). Veuillez avoir votre numéro de série et votre numéro de modèle à portée de main lorsque vous appelez pour obtenir un service.

Au Canada, appelez le 800.561.3344.

Agrafez votre facture ici.
Pour bénéficier du service de réparation sous garantie, une preuve de la date d'achat initial est nécessaire.

Pendant la période de garantie de :	GE remplacera :
Un An A compter de la date d'achat initial	Toute pièce du réfrigérateur qui s'avère défectueuse en raison d'un défaut de matériau ou de fabrication. Durant cette période de Un (1) an à partir de la date d'achat d'origine, GE décidera, à sa discrétion, de remplacer ou de réparer l'appareil défectueux. Dans l'éventualité où GE déciderait de réparer l'appareil durant cette période de garantie limitée de un (1) an, GE fournira toute pièce du congélateur qui s'avère défectueuse suite à un vice de matière ou de fabrication et assumera tous les coûts de main-d'œuvre et de service associés au remplacement de la pièce défectueuse. Dans l'éventualité où GE déciderait de remplacer l'appareil durant cette période de garantie limitée de un (1) an, elle pourra procéder en vous remettant un certificat échangeable contre un produit de remplacement chez un détaillant.

Ce qui n'est pas couvert par GE :

- Les déplacements à votre domicile pour vous expliquer l'utilisation de ce produit
- Une installation, livraison ou maintenance défectueuse.
- Une panne du produit par abus d'utilisation, par mauvaise utilisation, par modification ou s'il a été utilisé dans un but autre que celui pour lequel il a été fabriqué.
- Détérioration des aliments.
- Le remplacement des fusibles ou le réenclenchement du disjoncteur du domicile.
- Les dommages causés après la livraison.
- Le remplacement de la cartouche filtrante, si incluse, à cause d'une pression d'eau en dehors de la gamme de fonctionnement recommandée ou à cause d'une concentration excessive de sédiments dans l'eau d'alimentation.
- Le remplacement des ampoules.
- Tout dommage causé par accident, incendie, inondation ou une catastrophe naturelle.
- Tout dommage fortuit ou indirect causé par des défauts éventuels de cet appareil.
- Le service s'il est impossible d'avoir accès au produit.
- Les coûts associés lorsque GE décide de remettre au consommateur un certificat échangeable contre un produit de remplacement.

EXCLUSION DES GARANTIES TACITES - Votre recours exclusif est l'échange du produit suivant les modalités de la Garantie Limitée. Toutes garanties tacites, y compris les garanties de valeurs marchandes ou d'adéquation à des fins particulières, sont limitées à une durée d'un an ou à la durée la plus courte autorisée par la loi.

Pour les clients des États-Unis : Cette garantie est étendue à l'acheteur d'origine et aux propriétaires suivants pour tout produit acheté pour une utilisation domestique aux États-Unis. Si le produit est installé dans une région où ne se trouve aucun réparateur autorisé GE, vous devrez peut-être assumer les frais de transport ou apporter l'appareil à un centre de service autorisé GE. En Alaska, cette garantie exclut le coût d'expédition ou de dépannage à votre domicile.

Certains états n'acceptent pas d'exclusion ou de limites aux dommages indirects consécutifs. Certains droits particuliers vous sont dévolus en vertu de la présente garantie et peuvent s'accompagner d'autres droits qui varient selon votre lieu de résidence. Pour connaître vos droits juridiques, veuillez consulter le bureau local ou le bureau d'état des affaires aux consommateurs ou le Procureur Général de votre état.

Garant : États-Unis : General Electric Company. Louisville, KY 40225

Pour les clients au Canada : Cette garantie est étendue à l'acheteur d'origine et aux propriétaires suivants pour tout produit acheté aux Canada pour une utilisation domestique aux Canada. Le service à domicile en vertu de la garantie sera fourni dans les régions où il est disponible et où Mabe estime raisonnable de le fournir.

Garant Canada: MC Commercial, Burlington, Ontario, L7R 5B6

Soutien au consommateur.



Site Web appareils électroménagers GE

electromenagersge.ca

Vous avez une question ou vous avez besoin d'aide pour votre appareil électroménager? Contactez-nous par Internet au site electromenagersge.ca 24 heures par jour, tous les jours de l'année.



Service de réparations

1.800.561.3344

Service de réparations GE est tout près de vous.
Pour faire réparer votre électroménager GE, il suffit de nous téléphoner.



Studio de conception réaliste

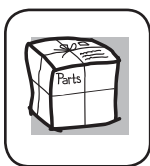
Sur demande, GE peut fournir une brochure sur l'aménagement d'une cuisine pour les personnes à mobilité réduite.

Écrivez: Directeur, Relations avec les consommateurs, Mabe Canada Inc.
Bureau 310, 1 Factory Lane
Moncton, N.B. E1C 9M3



Prolongation de garantie

Veuillez consulter votre annuaire local pour trouver un fournisseur de garantie prolongée.



Pièces et accessoires

Ceux qui désirent réparer eux-mêmes leurs électroménagers peuvent recevoir pièces et accessoires directement à la maison (cartes VISA, MasterCard et Discover acceptées).

Les directives stipulées dans le présent manuel peuvent être effectuées par n'importe quel utilisateur. Les autres réparations doivent généralement être effectuées par un technicien qualifié. Soyez prudent, car une réparation inadéquate peut affecter le fonctionnement sécuritaire de l'appareil.

Vous trouverez dans les pages jaunes de votre annuaire le numéro du Centre de service Mabe le plus proche. Autrement, appelez-nous au 1.888.261.3055.



Contactez-nous

Si vous n'êtes pas satisfait du service après-vente dont vous avez bénéficié :

Premièrement, communiquez avec les gens qui ont réparé votre appareil.

Ensuite, si vous n'êtes toujours pas satisfait envoyez tous les détails—numéro de téléphone compris—au
Directeur, Relations avec les consommateurs, Mabe Canada Inc.
Bureau 310, 1 Factory Lane
Moncton, N.B. E1C 9M3



Inscrivez votre appareil électroménager

Inscrivez votre appareil électroménager en direct, aussitôt que possible. Cela améliorera nos communications et notre service après-vente. Vous pouvez également nous envoyer par la poste le formulaire d'inscription joint à votre documentation.

Información de Seguridad . 26, 27

Instrucciones de Funcionamiento

Configuraciones de los Controles . . . 28

Funciones del Refrigerador 28

Cuidado y Limpieza 29-30

Reemplazo de la Lámpara 29

Instrucciones de Instalación 31-33

Consejos para la Solución

de Problemas 34

Soporte al Cliente

Garantía 35

Soporte al Cliente 36

ATENCIÓN:

Descongelación – No use objetos filosos ni punteagudos para retirar escarcha o hielo de las superficies del compartimiento del freezer. Hacer esto podría perforar la bobina de refrigeración, haciendo que la unidad pierda la capacidad de mantener las temperaturas frías y anulando la garantía. Para acceder a instrucciones sobre cómo descongelar el compartimiento del freezer, consulte la sección de Cuidado y Limpieza.

Escriba los números de modelo y de serie aquí:

N° de Modelo _____

N° de Serie _____

Busque estos números en una etiqueta del lado izquierdo, cerca de la parte intermedia del compartimiento del refrigerador.

INFORMACIÓN IMPORTANTE DE SEGURIDAD. LEA TODAS LAS INSTRUCCIONES ANTES DE USAR.

SEGURIDAD

INFORMACIÓN IMPORTANTE DE SEGURIDAD LEA TODAS LAS INSTRUCCIONES ANTES DE USAR



Sitio Web de Electrodomésticos de GE

Para más información sobre el funcionamiento de su refrigerador, visite www.GEAppliances.com

! Este es el símbolo de alerta de seguridad. El mismo alerta sobre potenciales riesgos de muerte o lesiones tanto para usted como para otras personas. Todos los mensajes de seguridad estarán a continuación del símbolo de alerta de seguridad y con la palabra "PELIGRO", "ADVERTENCIA" o "PRECAUCIÓN". Estas palabras se definen como:

! PELIGRO Indica una situación de riesgo que, si no se evita, podría resultar en la muerte o en lesiones graves.

! ADVERTENCIA Indica una situación de riesgo que, si no se evita, podría resultar en la muerte o en lesiones graves.

! PRECAUCIÓN Indica una situación de riesgo que, si no se evita, podría resultar en lesiones menores o moderadas.

INSTRUCCIONES IMPORTANTES DE SEGURIDAD

! ADVERTENCIA A fin de reducir el riesgo de incendio, explosión, descargas eléctricas o lesiones al usar su refrigerador, siga estas precauciones básicas de seguridad:

- Este refrigerador se deberá instalar y ubicar adecuadamente de acuerdo con las Instrucciones de Instalación antes de ser usado.
- Desenchufe el refrigerador antes de hacer reparaciones, reemplazar una lámpara de luz o hacer una limpieza.
Nota: La corriente que va al refrigerador no puede ser desconectada por ninguna configuración del panel de control.
Nota: Las reparaciones deberán ser realizadas por un Profesional del Servicio Técnico calificado.
- Reemplace todas las piezas y paneles antes del uso.
- No guarde ni use gasolina u otros vapores inflamables y líquidos cerca de este u otros electrodomésticos.
- Debido a los posibles riesgos sobre la seguridad bajo ciertas condiciones, recomendamos enfáticamente no usar prolongadores. Sin embargo, si se debe usar un prolongador, es absolutamente necesario que sea un prolongador para electrodoméstico de la lista UL (en Estados Unidos) o uno certificado por CSA (en Canadá), de 3 cables con conexión a tierra, que cuente con un enchufe con conexión a tierra y un toma corriente con una graduación eléctrica del cable de 15 amperes (mínimo) y 120 volts.
- A fin de evitar riesgos de que los niños sufran asfixia o queden atrapados, retire las puertas de comidas frescas y del freezer de cualquier refrigerador antes de deshacerse o dejar de usar el mismo.
- No permita que los niños se trepen, paren o cuelguen de las manijas de la puerta o de los estantes del refrigerador. Podrían sufrir lesiones graves.

! PRECAUCIÓN A fin de reducir el riesgo de lesiones al usar el refrigerador, siga estas precauciones básicas.

- No limpie estantes de vidrio ni tapas con agua caliente cuando estén fríos. Los estantes de vidrio y las tapas se pueden romper si son expuestos a cambios de temperatura repentinos o impactos, tales como sacudones o caídas. El vidrio templado está diseñado para destruirse en pequeñas piezas en caso de rotura.
- Mantenga los dedos fuera de los espacios de "riesgo de lastimaduras"; los despejes entre las puertas y entre las puertas y el gabinete son necesariamente pequeños. Tenga el cuidado de cerrar las puertas cuando los niños se encuentren en el área.
- No vuelva a congelar comidas que hayan estado totalmente congeladas en forma previa.
- En refrigeradores con máquinas de hacer hielo automáticas, evite el contacto con las partes móviles del mecanismo eyector o con el elemento de calefacción que libera los cubos. No coloque los dedos ni las manos en el mecanismo de la máquina de hielo automática mientras el refrigerador esté enchufado.

INFORMACIÓN IMPORTANTE DE SEGURIDAD. LEA TODAS LAS INSTRUCCIONES ANTES DE USAR.

GEAppliances.com

SEGURIDAD (CONT)

INSTALACIÓN

ADVERTENCIA



Riesgo de Explosión.

Mantenga cualquier material y vapores inflamables, tales como gasolina, alejados del refrigerador. Si no se cumple con esto se podrá producir una explosión, incendio o la muerte.

CONEXIÓN DE LA ELECTRICIDAD

ADVERTENCIA



Riesgo de Descarga Eléctrica.

Enchufe en un tomacorriente con conexión a tierra de 3 cables.

No elimine el cable de conexión a tierra.

No use un adaptador.

Si no se siguen estas instrucciones se podrá producir a muerte, incendios o descargas eléctricas.

Nunca, bajo ninguna circunstancia, corte o elimine el tercer cable (tierra) del cable de corriente. Para su seguridad personal, este electrodoméstico debe estar adecuadamente conectado a tierra.

El cable de corriente de este electrodoméstico contiene un enchufe de 3 cables (conexión a tierra) que se conecta a un tomacorriente de pared estándar de 3 cables (conexión a tierra) para minimizar la posibilidad de riesgos de descargas eléctricas por parte del mismo.

Contrate a un electricista calificado para que controle el tomacorriente y el circuito eléctrico, a fin de asegurar que el enchufe esté correctamente conectado a tierra.

En caso de contar con un tomacorriente de pared de 2 cables, es su responsabilidad y obligación reemplazarlo por un tomacorriente de pared de 3 cables correctamente conectado a tierra. No use un adaptador.

El refrigerador debería estar siempre conectado a un enchufe específico con un índice de voltaje equivalente al que figura en su etiqueta de características técnicas.

Se requiere un suministro eléctrico con fusible y conexión a tierra de 115 voltios de CA, 60 Hz, 15 o 20 amperes. Esto garantiza el mejor funcionamiento y además previene la sobrecarga de los circuitos del hogar, lo cual podría ocasionar riesgos de incendio debido al recalentamiento de cables.

Nunca desenchufe el refrigerador tirando del cable de corriente. Siempre tome su enchufe firmemente y empuje el mismo hacia afuera para retirarlo.

Repare o reemplace de inmediato todos los cables de corriente pelados o con cualquier tipo de daño. No use un cable con cortaduras o abrasión sobre su extensión o extremos.

Al alejar el refrigerador de la pared, se deberá tener cuidado de que no ruede sobre ni dañe el cable de corriente.

FORMA ADECUADA DE DESCARTAR SU ANTIGUO REFRIGERADOR

ADVERTENCIA

Riesgo de que los niños sufran asfixia o y queden atrapados.

Retire del refrigerador las puertas de comidas frescas y del freezer, antes de descartar el refrigerador. Si esto no se realiza, los niños podrán quedar atrapados y ocasionar la muerte o daño cerebral.

IMPORTANTE:

Que un niño quede atrapado o que sufra una asfixia no son problemas del pasado. Los refrigeradores antiguos o abandonados aún son peligrosos, incluso aunque se conserven por "sólo unos pocos días". Si se deshará de su antiguo refrigerador, siga las siguientes instrucciones a fin de evitar accidentes.

Antes de Descartar su Antiguo Refrigerador o Freezer:

- Retire las puertas de comidas frescas y del freezer.
- Deje los estantes en su lugar de modo que los niños no puedan trepar dentro con facilidad.

Refrigerantes

Todos los productos de refrigeración cuentan con refrigerantes, que de acuerdo con la ley federal deberán ser eliminados antes de descartar el producto. Si se deshará de un producto de refrigeración antiguo, consulte a la compañía a cargo sobre cómo deshacerse del mismo.

ADVERTENCIA

Refrigerante R600a

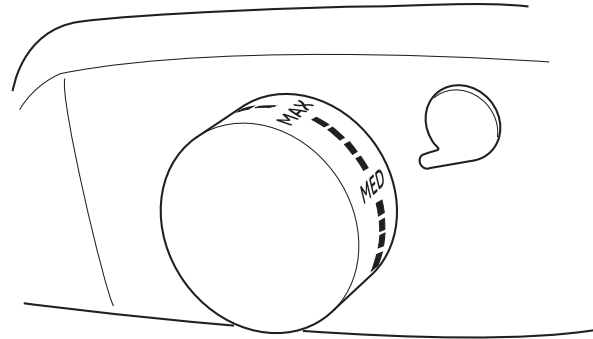
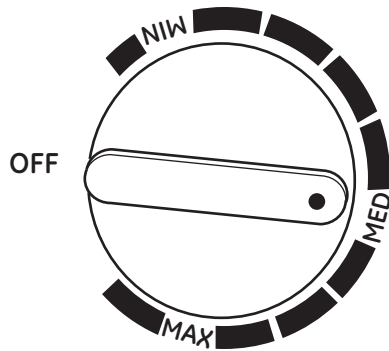
ADVERTENCIA: Este electrodoméstico cuenta con refrigerante isobutano, R600a, un gas natural con alto nivel de compatibilidad medioambiental. Sin embargo, también es inflamable. Se solicita el cumplimiento de las siguientes advertencias:

- 1) Al mover, instalar y operar el electrodoméstico, se deberá tener cuidado de no dañar la tubería del refrigerante.
- 2) El servicio técnico deberá ser realizado por personal autorizado del servicio de la fábrica, y los componentes podrán ser reemplazados por componentes de reemplazo autorizados por el fabricante.
- 3) Los productos de refrigeración cuentan con refrigerantes, que de acuerdo con la ley federal deberán ser eliminados antes de descartar el producto.
- 4) Mantenga las aberturas de ventilación en el espacio de protección del electrodoméstico o en la estructura incorporada libres de obstrucción.
- 5) No use dispositivos mecánicos u otros medios para acelerar el proceso de descongelamiento.
- 6) No dañe el circuito del refrigerante.
- 7) No use dispositivos eléctricos dentro del compartimiento de almacenamiento de comida del electrodoméstico.



**LEA Y SIGA ESTA INFORMACIÓN DE SEGURIDAD CUIDADOSAMENTE.
GUARDE ESTAS INSTRUCCIONES**

Acerca de los controles y las funciones del refrigerador



El control se verá con un aspecto similar a uno de los anteriores.



Configuraciones de los Controles

El control de temperatura mantiene la temperatura del refrigerador. Al ubicar el control en MIN (Mínimo) se ajusta la configuración más caliente. Al ubicar el control en MAX (Máximo) se ajusta la configuración más fría. Configure el control en MED (Media).

Espera 24 horas hasta que el refrigerador alcance la temperatura MEDIA. Si desea una temperatura más fría o más caliente, mueva el dial de a una configuración por vez. Mover el control a OFF (Apagado) detiene el enfriamiento, pero no apaga el encendido del refrigerador. Configurar el control demasiado alto podría hacer que el refrigerador se congele, dependiendo de la temperatura del ambiente.

Cómo Evaluar las Temperaturas

Use la prueba de la leche. Ubique un envase de leche en un estante y controle el mismo un día después. Si la leche está demasiado caliente o demasiado fría, ajuste el control de temperatura.

Use la prueba de la leche. Ubique un envase de leche en un estante y controle el mismo un día después. Si la leche está demasiado caliente o demasiado fría, ajuste el control de temperatura.

Funciones

Estantes

Para retirar un estante, levante la parte trasera suavemente y empuje hacia usted. Algunos modelos cuentan con estantes con posiciones múltiples, los cuales se pueden ubicar en diferentes niveles.

Compartimiento de la Bandeja de Hielo

Este compartimiento está diseñado para la producción de cubos de hielo y almacenamientos a corto plazo (unos pocos días como máximo) de algunas comidas comercialmente congeladas cuando tengan contacto con el evaporador (superficie fría en el compartimiento).

Estantes de la Puerta

Los estantes de la puerta brindan un nivel de almacenamiento conveniente para productos de uso frecuente. Algunos modelos cuentan con puertas con la profundidad suficiente como para guardar botellas grandes.

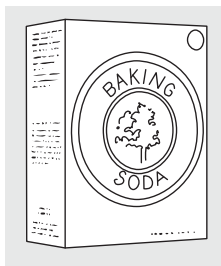
Limpeza de la Parte Exterior

Mantenga la parte exterior limpia. Use una tela limpia que esté ligeramente humedecida con cera para utensilios de cocina o detergente líquido suave. Seque y pula con una tela limpia y suave.

No limpie el refrigerador con una tela sucia para platos o una toalla mojada. Estos podrán dejar residuos que ocasionen corrosión sobre la pintura. No use estropajos, limpiadores en polvo, blanqueadores o limpiadores que contengan blanqueador, ya que estos

productos pueden rayar y debilitar la terminación de la pintura.

Proteja el acabado de la pintura. El acabado en la parte exterior del refrigerador posee una pintura horneada de alta calidad. Con el cuidado debido, conservará un aspecto nuevo y sin óxido por años. Aplique una capa de cera de cocina/ para electrodomésticos cuando el refrigerador sea nuevo, y luego por lo menos una vez por año.



Limpeza de la Parte Interior

Para evitar olores, deje abierta una caja de bicarbonato de sodio en el refrigerador.

Desenchufe el refrigerador antes de limpiar. Si esto no resulta práctico, estruje el exceso de humedad para eliminarlo de la esponja o tela al limpiar alrededor del control.

Use agua caliente y solución de bicarbonato de sodio — aproximadamente una cucharada sopera (15 ml) de bicarbonato de sodio para un cuarto de galón (1 litro) de agua. Esto limpia y neutraliza los olores. Enjuague y seque.

Otras partes del refrigerador—incluyendo juntas de la puerta, cajones de frutas y verduras, y todas las piezas de plástico — se pueden limpiar de la misma forma.

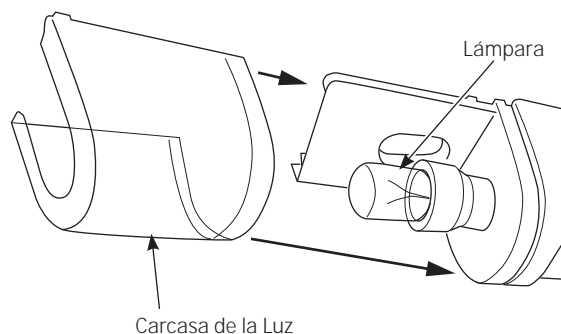
No lave ninguna parte plástica del refrigerador en el lavavajillas.

Cómo Reemplazar la Lámpara (en algunos modelos)

Desenchufe el refrigerador antes de reemplazar una lámpara quemada. La configuración de los controles en **OFF (Apagado)** no elimina la corriente del circuito de luz.

La lámpara está ubicada detrás de la carcasa del control de temperatura y se puede ver a través de la tapa de la luz.

Retire la tapa de la luz, empujando desde la parte inferior de la carcasa. De forma suave, destornille la lámpara. Reemplace por una lámpara con la misma cantidad o menos watts



Carcasa de la Luz.

Cómo Descongelar (sólo en modelos con descongelación manual)

Realice la descongelación cuando la escarcha en la pared del compartimiento de la bandeja de hielo llegue a tener 1/4" de grosor. **Nunca use un instrumento punteagudo o metálico para retirar la escarcha, ya que podrá dañar las bobinas de enfriamiento.** (Si una bobina de enfriamiento es perforada, esto ocasionará graves problemas y anulará la garantía). Recomendamos el uso de una espátula de plástico. No use ningún dispositivo eléctrico para descongelar su refrigerador.

Para descongelar:

- Retire las comidas y las bandejas de hielo del compartimiento de la bandeja de hielo.
- Configure el dial del control de temperatura en la posición OFF (Apagado).
- En los modelos con bandeja de goteo, ubique una olla debajo del compartimiento de la bandeja de hielo para recolectar agua

La descongelación lleva normalmente algunas horas. Para descongelar con mayor rapidez, mantenga la puerta abierta. Además, verter

agua tibia (no caliente) en la parte con escarcha podrá acelerar la descongelación. **No use agua hirviendo** - esto podrá dañar las partes plásticas.

Luego de descongelar:

- Vacíe el agua de la bandeja de goteo o de la olla ubicada debajo del compartimiento de la bandeja de hielo. Lave la bandeja o la olla con agua tibia.
- Limpie el compartimiento de la bandeja de hielo con una tela húmeda
- Gire el control de temperatura a la configuración deseada y regrese la comida y las bandejas de hielo al refrigerador.

NOTA: Si la acumulación de hielo es muy gruesa, esto podrá impedir que la puerta del compartimiento de la bandeja de hielo se cierre o abra completamente. No intente forzar su apertura; luego de descongelar, la puerta se abrirá y cerrará con facilidad.

Preparación para las Vacaciones

Si estará de vacaciones o ausente por tiempo prolongado, retire la comida y desenchufe el refrigerador. Mueva el control a la posición OFF (Apagado), y limpie el interior con una solución de bicarbonato de sodio de una cucharada sopera (15 ml) de bicarbonato de sodio para un cuarto de galón (1 litro) de agua. Deje la puerta abierta.

Preparación para una Mudanza

Asegure todos los ítems tales como estantes y bandejas de hielo, pegando los mismos de forma segura en sus respectivos lugares a fin de evitar daños.

Asegúrese de que el refrigerador permanezca en una posición erguida durante el movimiento.

Instrucciones de Instalación

Refrigerador

Modelos de 3 Pies Cúbicos
Modelos de 4 Pies Cúbicos

Ante cualquier duda, llame al 1.800-GE-CARES o visite nuestro sitio web en: GEAppliances.com

ANTES DE COMENZAR

Lea estas instrucciones en su totalidad y atentamente.

- **IMPORTANTE** – Conserve estas instrucciones para uso del inspector local.
- **IMPORTANTE** – Cumpla con todos los códigos y ordenanzas gubernamentales.
- **Nota para el Instalador** – Asegúrese de que el Comprador conserve estas instrucciones.
- **Nota para el Comprador** – Conserve estas instrucciones para referencia futura.

REQUISITOS DE UBICACIÓN

- No instale el refrigerador donde la temperatura llegue a ser inferior a los 50°F (10°C), ya que no se activará con la frecuencia necesaria para mantener las temperaturas apropiadas.
- Instale el mismo en un piso lo suficientemente fuerte como para soportarlo cargado en su totalidad.
- No lo instale en un área cerrada.
- No empotre el refrigerador.

ESPACIO NECESARIO

Deje el siguiente espacio para una fácil instalación y una adecuada circulación de aire.

Modelos de 3 y 4 Pies Cúbicos

Costados 1/2" (13 mm)

Parte superior 2" (51 mm))

Parte trasera 2" (51 mm)**

**Desde la superficie trasera del gabinete hasta la pared

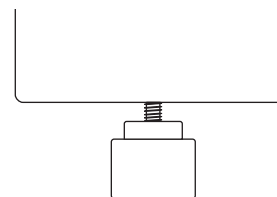
CÓMO DESEMBALAR SU REFRIGERADOR

- Retire la cinta y cualquier etiqueta (excepto la etiqueta de calificación) de su refrigerador. Los residuos de cinta o pegamento se pueden retirar fácilmente frontando con los dedos una cantidad pequeña de jabón líquido para lavar platos sobre el adhesivo. Limpie con agua caliente y seque.
- No use instrumentos puntiagudos, no frote alcohol, no use líquidos inflamables, ni limpiadores abrasivos para retirar cinta o pegamento. Estos productos pueden dañar la superficie del refrigerador
- Al mover el refrigerador, no lo incline más de 45° desde su posición vertical.

PATAS NIVELADORAS

Las patas niveladoras en las esquinas frontales del refrigerador se deberían configurar de modo que éste quede posicionado de manera firme sobre el suelo, y que el frente quede elevado lo suficiente como para que la puerta se cierre con facilidad cuando se abra aproximadamente hasta la mitad.

Para ajustar las patas niveladoras, gire las mismas en dirección contraria a las agujas del reloj para levantar el refrigerador, y en dirección de las agujas del reloj para bajarlas.



Gire en dirección de las agujas del reloj para subir, y en dirección contraria a las agujas del reloj para bajar.

Instrucciones de Instalación

⚠ ADVERTENCIA



Riesgo de Explosión.

Mantenga cualquier material y vapores inflamables, tales como gasolina, alejados del refrigerador. Si no se cumple con esto, se podrá producir una explosión, incendio o la muerte.

CONEXIÓN DE LA ELECTRICIDAD

⚠ ADVERTENCIA



Riesgo de Descarga Eléctrica.

Enchufe en un tomacorriente con conexión a tierra de 3 cables.

No elimine el cable de conexión a tierra.

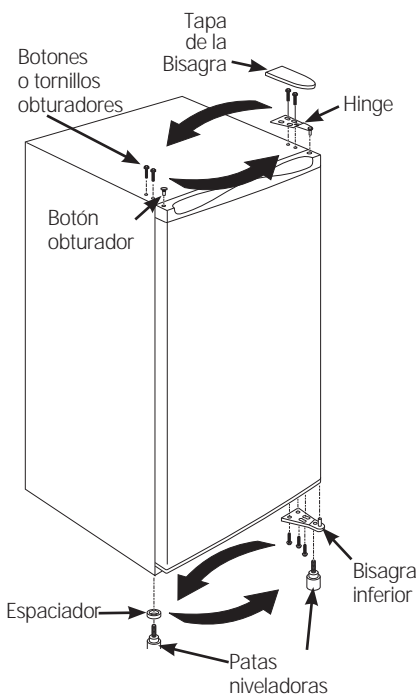
No use un adaptador.

Si no se siguen estas instrucciones se podrá producir a muerte, incendios o descargas eléctricas.

CABLE DE CORRIENTE

- Enchufe el cable de corriente del refrigerador en su propio tomacorriente correctamente conectado a tierra, con un índice de voltaje que coincida con la placa de calificación del refrigerador.
- No use un prolongador.
- Lea todas las precauciones de seguridad en las páginas 2 y 3.

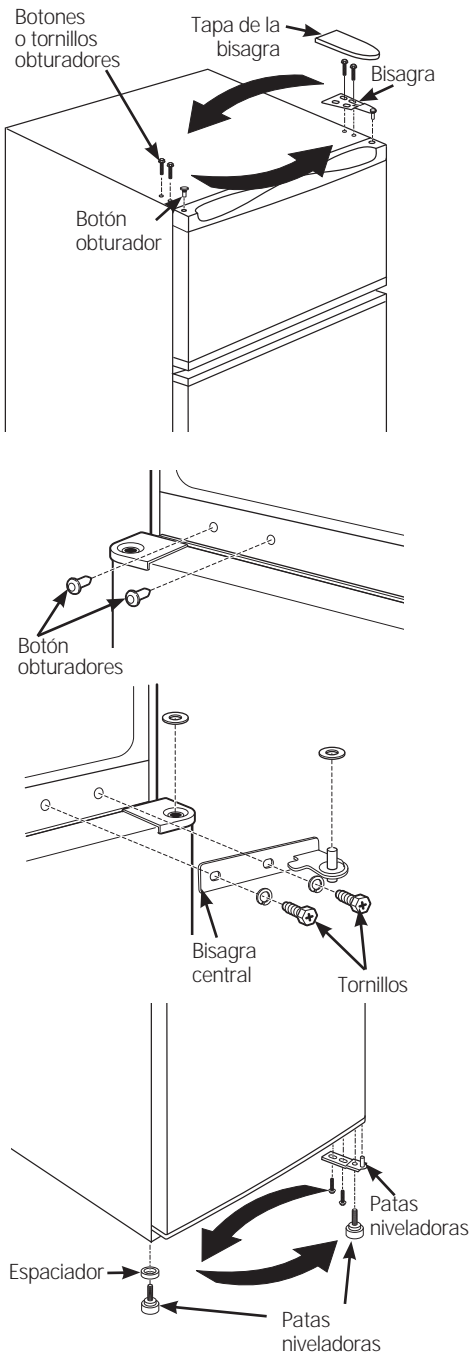
Inversión de la Puerta (en algunos modelos)



1. Retire el botón obturador pequeño sobre el lado izquierdo de la tapa superior de la puerta.
2. Retire los 2 botones o tornillos obturadores sobre el lado izquierdo en la parte superior del gabinete.
3. Retire la tapa de la bisagra plástica levantando la misma desde el extremo frontal.
4. Retire los 2 tornillos desde la bisagra superior.
5. Levante la puerta hacia arriba y afuera de la bisagra inferior (lado derecho).
6. Inclíne el gabinete del refrigerador hacia atrás para retirar la pata niveladora izquierda.
7. Retire los tornillos de la bisagra inferior (lado derecho) y retire la pata niveladora. Mueva la bisagra inferior hacia la izquierda y asegure la misma con tornillos. Vuelva a instalar las patas niveladoras.
8. Vuelva a atornillar la pata niveladora derecha, con un espaciador, del lado derecho.
9. Posicione la puerta sobre la bisagra inferior izquierda. Con una junta imantada que sostenga la puerta en su posición, asegure la bisagra superior con tornillos.
10. **Asegúrese de que la puerta quede alineada con el gabinete del refrigerador antes de continuar.**
11. Reemplace la tapa de la bisagra sobre la parte superior de la bisagra.
12. Coloque el botón obturador en el agujero sobre el lado derecho de la tapa de la puerta.
13. Coloque los 2 botones obturadores sobre el lado derecho en la parte superior del gabinete.

IMPORTANTE: La pata izquierda cuenta con un espaciador o con un dispositivo espaciador que deberá ser movido hacia la pata niveladora del lado derecho cuando el giro de la puerta sea invertido.

Instrucciones de Instalación



2-Inversión de la Puerta (en algunos modelos)

1. Retire el botón obturador pequeño sobre el lado izquierdo de la tapa superior de la puerta.
2. Retire los 2 botones o tornillos obturadores sobre el lado izquierdo en la parte superior del gabinete.
3. Retire la tapa de la bisagra plástica levantando la misma desde el extremo frontal.
4. Retire los 2 tornillos desde la bisagra superior.
5. Levante la puerta del freezer hacia arriba y afuera de la bisagra intermedia (lado derecho). Coloque la puerta en una superficie que no produzca rayaduras con la parte exterior hacia arriba.
6. Retire la bisagra central quitando los 2 tornillos. Levante la bisagra para retirarla.
7. Retire la puerta de comidas frescas de la bisagra inferior. Coloque la puerta en una superficie que no produzca rayaduras con la parte exterior hacia arriba.
8. Incline el gabinete del refrigerador hacia atrás para retirar la pata niveladora izquierda.
9. Retire los tornillos de la bisagra inferior (lado derecho) y retire la pata niveladora. Mueva la bisagra inferior hacia la izquierda y asegure la misma con tornillos. Vuelva a instalar las patas niveladoras.

IMPORTANTE: La pata izquierda cuenta con un espaciador o con un dispositivo espaciador que deberá ser movido hacia la pata niveladora del lado derecho cuando el giro de la puerta sea invertido.

10. Vuelva a atornillar la pata niveladora derecha, con un espaciador, del lado derecho.
11. Retire los dos botones obturadores del lado izquierdo de la parte central e instale los mismos sobre la derecha.
12. Posicione la puerta sobre la bisagra inferior izquierda. Con una junta imantada que sostenga la puerta en su lugar, asegúrese de que la puerta esté alineada con el refrigerador, y asegure la bisagra central sobre la parte izquierda con tornillos.
13. Coloque la puerta del freezer en la bisagra central sobre la clavija. Asegúrese de que la puerta esté alineada de forma horizontal y vertical, y que la junta quede sellada sobre todos los lados.
14. Reemplace la bisagra superior del lado izquierdo con tornillos.
15. Reemplace la tapa de la bisagra sobre la parte superior de la bisagra.
16. Coloque el botón obturador en el agujero sobre el lado derecho de la tapa de la puerta.
17. Coloque los 2 botones obturadores sobre el lado derecho en la parte superior del gabinete.

Antes de Solicitar el Servicio Técnico...



Consejos para la Solución de Problemas

¡Ahorre tiempo y dinero! Primero revise los cuadros que aparecen en las siguientes páginas y es posible que no necesite solicitar reparaciones.

<i>Problema</i>	<i>Causas Posibles</i>	<i>Qué Hacer</i>
<i>El refrigerador no funciona</i>	El control está en la posición OFF (Apagado).	Move the control to a temperature setting.
	El refrigerador está desenchufado.	Presione el enchufe completamente dentro del tomacorriente.
	Se quemó el fusible/ el disyuntor está activado	Reemplace el fusible o reinicie el disyuntor.
<i>Vibración normal o ruidosa (una vibración leve es normal)</i>	Las patas niveladoras frontales necesitan ajuste.	Consulte la sección de <i>Patas Niveladoras</i> .
	El refrigerador se encuentra en una superficie despareja.	Use cuñas para nivelar el refrigerador.
<i>El motor funciona durante períodos o ciclos largos</i>	Normal when refrigerator is first plugged in.	Espere 24 horas hasta que el refrigerador se enfríe completamente.
	Sucede con frecuencia cuando se colocan grandes cantidades de comida en el refrigerador.	Esto es normal.
	Se dejó la puerta abierta.	Controle que no haya paquetes que impidan que la puerta se cierre.
	Clima cálido o apertura frecuente de la puerta.	Esto es normal.
	El control de temperatura está configurado en la posición más fría.	Consulte la sección <i>Acerca del Control</i> .
	No hay suficiente espacio desde la pared. .	Consulte la sección de <i>Despejes al Preparar la instalación del refrigerador</i> .
<i>El refrigerador está demasiado caliente</i>	El control de temperatura no se configuró en un nivel lo suficientemente frío.	Consulte la sección <i>Acerca del control</i>
	Clima cálido o se abre la puerta con frecuencia.	Configure el control de temperatura un paso más frío. Consulte la sección <i>Acerca del control</i>
	Se dejó la puerta abierta.	Controle que no haya paquetes que impidan que la puerta se cierre.
	Los costados del gabinete están tibios	Esto es normal cuando haya un condensador de pared caliente.
<i>El refrigerador tiene olor</i>	Comidas que transmiten olor al refrigerador.	Las comidas con olores fuertes se deberán cubrir de forma hermética.
		Keep an open box of baking soda in the refrigerator; replace every three months.
<i>Se forma humedad en la parte exterior del refrigerador</i>	No es atípico durante períodos con altos niveles de humedad.	Seque la superficie.
<i>Se acumula humedad dentro (en climas húmedos, el aire lleva humedad al refrigerador cuando la puerta es abierta)</i>	Se abre la puerta de forma muy frecuente o por períodos demasiado largos.	
<i>El refrigerador está demasiado frío</i>	El control de temperatura fue configurado en un nivel muy frío.	Consulte la sección <i>Acerca del control</i> .

Garantía del Refrigerador. (Para clientes en Estados Unidos)



Todos los servicios de garantía los proporcionan nuestros Centros de Reparación de Fábrica o nuestros técnicos Customer Care® autorizados. Para concertar una cita de reparación, en línea, 24 horas al día, visite nos al GEAppliances.com, o llame al 800.GE.CARES (800.432.2737). Cuando llame para solicitar servicio, por favor tenga a mano el número de serie y el número de modelo.

Grape aquí su recibo. Se requiere facilitar prueba de la fecha de compra original para obtener un servicio bajo la garantía.

Por el período de:	GE reemplazará:
Un año A partir de la fecha de la compra original.	Cualquier parte del refrigerador que falle debido a defectos en los materiales o en la fabricación. Durante este período de Un Año desde la fecha de compra original, GE elegirá, de acuerdo a su decisión, reemplazar o realizar el servicio técnico sobre la unidad defectuosa. Durante esta garantía limitada de un año, si GE decide realizar el servicio técnico sobre la unidad, GE brindará cualquier pieza del freezer que falle debido a un defecto en los materiales o la fabricación y, sin costo, todos los servicios relacionados con el reemplazo de la pieza defectuosa. Durante esta garantía limitada de un año, si GE decide reemplazar la unidad, puede hacer esto brindándole un certificado reembolsable en una tienda minorista por un producto de reemplazo.

Lo que GE no cubrirá:

- Viajes del técnico del servicio a su hogar para enseñarle sobre cómo usar el producto.
- Instalación, entrega o mantenimiento inadecuados.
- Fallas del producto en caso de abuso, mal uso, o uso para propósitos diferentes al original o uso comercial.
- Pérdida de alimentos por mal estado.
- Reemplazo de fusibles de la casa o reinicio de disyuntores.
- Daño causado después de la entrega.
- Reemplazo de bombillas de luz.
- Daños ocasionados sobre el producto por accidente, incendio, inundaciones o catástrofes naturales.
- Daños consecuentes o incidentales causados por posibles defectos de este producto.
- Producto no accesible para brindar el servicio requerido.
- Costos asociados cuando GE decide entregar al consumidor un certificado como forma de reemplazo del producto.

EXCLUSIÓN DE GARANTÍAS IMPLÍCITAS—Su único y exclusivo derecho es la reparación del producto, tal y como se indica en esta Garantía limitada. Cualquier garantía implícita, incluyendo las garantías implícitas de comerciabilidad o adecuación para un fin determinado, están limitadas a un año o el período de tiempo más breve permitido por la ley.

Para los clientes de EE.UU. Esta garantía se extiende al comprador original y a cualquier dueño subsiguiente de productos comprados para uso hogareño dentro de EE.UU. Si el producto está en un área donde no se encuentra disponible un Proveedor Autorizado del Servicio Técnico de GE, usted será responsable por el costo de un viaje o se podrá requerir que traiga el producto a una ubicación del Servicio Técnico de GE Autorizado para recibir el servicio. En Alaska, la garantía excluye el costo de envío o llamadas del servicio a su hogar.

Algunos estados no permiten la exclusión o limitación de daños fortuitos o consecuentes. Esta garantía le da derechos legales específicos y es posible que tenga otros derechos legales que varían entre un estado y otro. Para conocer cuáles son sus derechos legales, consulte a la oficina de asuntos del consumidor local o estatal o al Fiscal de su estado.

Garante: General Electric Company, Louisville, KY 40225

Para los clientes de Canadá : Esta garantía se extiende al comprador original y cualquier comprador posterior de productos comprados en Canadá para uso residencial dentro de Canadá. El servicio a domicilio warrant será proporcionado en las áreas donde está disponible y que se considere razonable por Mabe para ofrecer.

Mabe Canada Inc., Burlington, ON, L7R 5B6



Sitio Web de Electrodomésticos de GE

En EE.UU.: GEAppliances.com

¿Desea realizar una consulta o necesita ayuda con su electrodoméstico? ¡Intente a través del Sitio Web de Electrodomésticos de GE las 24 horas del día, cualquier día del año! Para mayor conveniencia y un servicio más rápido, ahora puede descargar el Manual del Propietario, ordenar piezas o incluso programar el servicio técnico a través de Internet.



Servicio Programado

En EE.UU.: GEAppliances.com

El servicio de reparación de expertos de GE está a sólo un paso de su puerta. ¡Conéctese a través de Internet y programe su servicio a su conveniencia cualquier día del año! O llame al 800.GE.CARES (800.432.2737) durante el horario comercial habitual.



Estudio de Diseño de la Vida Real

En EE.UU.: GEAppliances.com

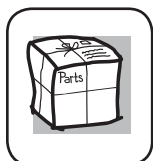
GE apoya el concepto de Diseño Universal – productos, servicios y ambientes que pueden ser usados por personas de todas las edades, tamaños y capacidades. Reconocemos la necesidad de realizar diseños para una amplia gama de habilidades e incapacidades físicas y mentales. Para más detalles sobre las aplicaciones de Diseño Universal de GE, incluyendo ideas de diseño de cocinas para personas con incapacidades, visite nuestro sitio web hoy. Sobre casos de incapacidad auditiva, comuníquese al 800.TDD.GEAC (800.833.4322).



Garantías Extendidas

En EE.UU.: GEAppliances.com

Adquiera una garantía extendida de GE y aprenda sobre descuentos especiales que están disponibles mientras su garantía aún está vigente. La puede adquirir a través de Internet en cualquier momento o llamando al 800.626.2224 durante el horario comercial habitual. Los Servicios para el Consumidor Hogareño de GE aún estarán allí cuando su garantía caduque.

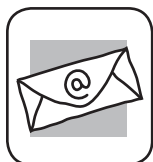


Piezas y Accesorios

En EE.UU.: GEAppliancesParts.com

Individuos calificados para realizar el servicio técnico de sus propios electrodomésticos podrán solicitar el envío de piezas o accesorios directamente a sus hogares (se aceptan las tarjetas VISA, MasterCard y Discover). Ordene hoy a través de Internet, las 24 horas del día o en forma telefónica llamando al 800.626.2002, durante el horario comercial habitual.

Las instrucciones que figuran en este manual cubren los procedimientos que serán realizados por cualquier usuario. Otros servicios técnicos generalmente deberían ser derivados a personal calificado del servicio. Se deberá tener cuidado, ya que una reparación indebida podrá ocasionar que el funcionamiento no sea seguro.



Contáctenos

En EE.UU.: GEAppliances.com

Si no se encuentra satisfecho con el servicio que recibió de GE, comuníquese con nosotros a través de nuestro sitio web con todos los detalles, incluyendo su número telefónico, o escriba a:

General Manager, Customer Relations
GE Appliances, Appliance Park
Louisville, KY 40225



Registre su Electrodoméstico

En EE.UU.: GEAppliances.com

Registre su electrodoméstico nuevo a través de Internet - ¡a su conveniencia! Un registro puntual de su producto permitirá una mejor comunicación y un servicio más puntual de acuerdo con los términos de su garantía, en caso de surgir la necesidad. También puede enviar una carta en la tarjeta de inscripción preimpresa que se incluye con el material embalado.

Notas.

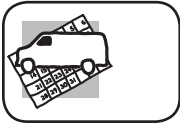
Consumer Support.



GE Appliances Website

GEAppliances.com

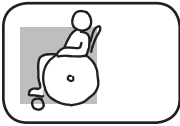
Have a question or need assistance with your appliance? Try the GE Appliances Website 24 hours a day, any day of the year! For greater convenience and faster service, you can now download Owner's Manuals, order parts, catalogs, or even schedule service on-line. You can also "Ask Our Team of Experts™" your questions, and so much more...



Schedule Service

GEAppliances.com

Expert GE repair service is only one step away from your door. Get on-line and schedule your service at your convenience 24 hours any day of the year! Or call 800.GE.CARES (800.432.2737) during normal business hours.



Real Life Design Studio

GEAppliances.com

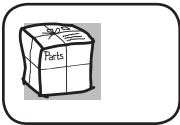
GE supports the Universal Design concept—products, services and environments that can be used by people of all ages, sizes and capabilities. We recognize the need to design for a wide range of physical and mental abilities and impairments. For details of GE's Universal Design applications, including kitchen design ideas for people with disabilities, check out our Website today. For the hearing impaired, please call 800.TDD.GEAC (800.833.4322).



Extended Warranties

GEAppliances.com

Purchase a GE extended warranty and learn about special discounts that are available while your warranty is still in effect. You can purchase it on-line anytime, or call 800.626.2224 during normal business hours. GE Consumer Home Services will still be there after your warranty expires.

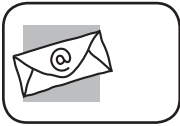


Parts and Accessories

GEAppliancesparts.com

Individuals qualified to service their own appliances can have parts or accessories sent directly to their homes (VISA, MasterCard and Discover cards are accepted). Order on-line today, 24 hours every day or by phone at 800.626.2002 during normal business hours. In Canada, call 800.661.1616.

Instructions contained in this manual cover procedures to be performed by any user. Other servicing generally should be referred to qualified service personnel. Caution must be exercised, since improper servicing may cause unsafe operation.



Contact Us

GEAppliances.com

If you are not satisfied with the service you receive from GE, contact us on our Website with all the details including your phone number, or write to:

General Manager, Customer Relations
GE Appliances, Appliance Park
Louisville, KY 40225

In Canada, contact:

Director, Customer Relations
Suite 310, 1 Factory Lane
Moncton, N.B. E1C 9M3



Register Your Appliance

GEAppliances.com

Register your new appliance on-line—at your convenience! Timely product registration will allow for enhanced communication and prompt service under the terms of your warranty, should the need arise. You may also mail in the pre-printed registration card included in the packing material.