



# **KIN 30 PRO X**

**INSTRUCTIONS BOOKLET  
LIVRET D'INSTRUCTIONS  
MANUAL DE INSTRUCCIONES**

*Dear Sir/Madam, congratulations!*

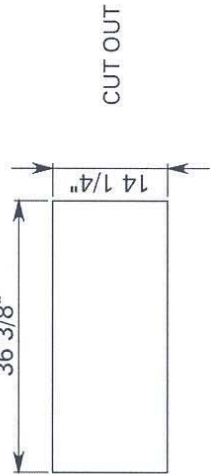
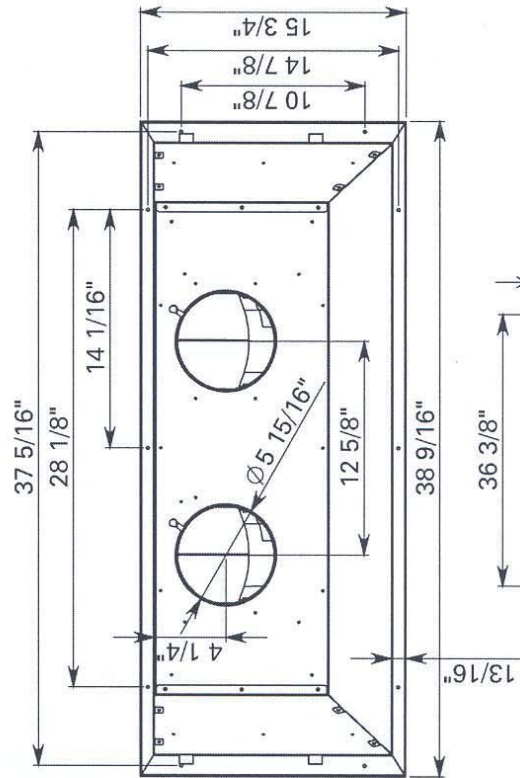
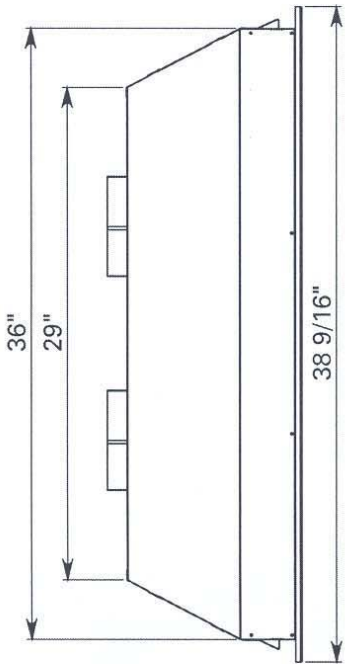
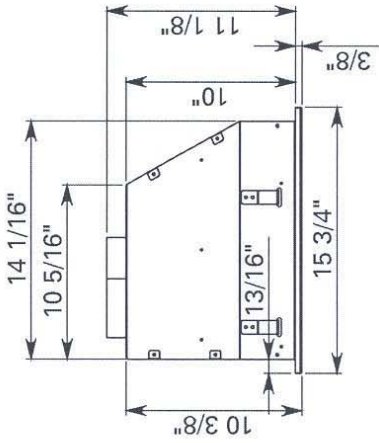
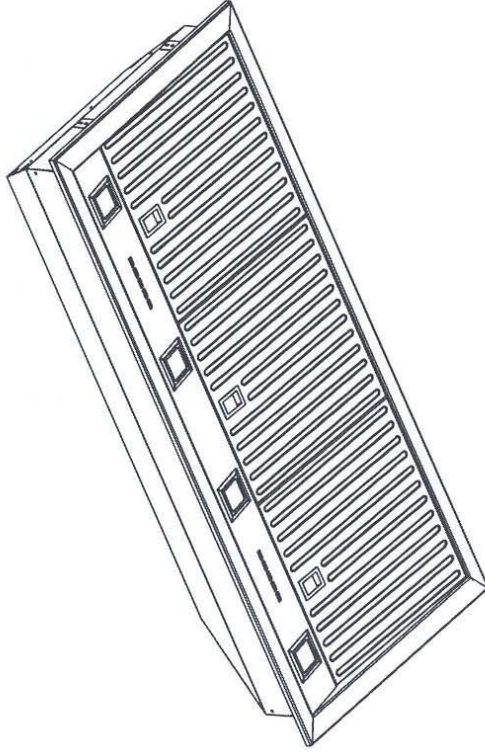
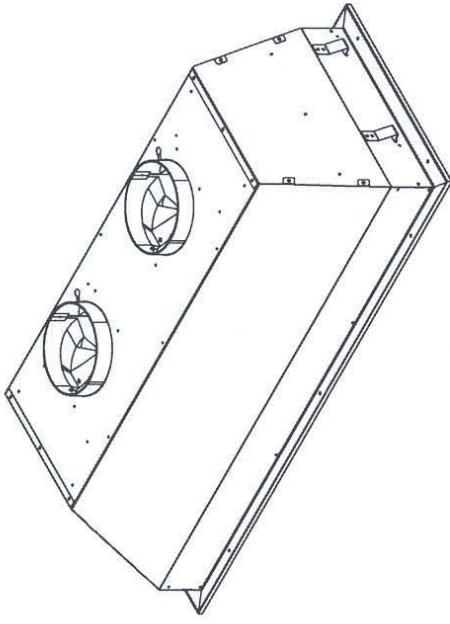
*You have purchased a prestigious range hood of guaranteed quality. For best results, we suggest that you carefully follow the operating and maintenance instructions provided in this booklet; in addition, to order spare charcoal filters, use the special coupon on the cover.*

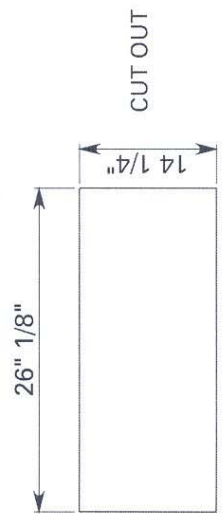
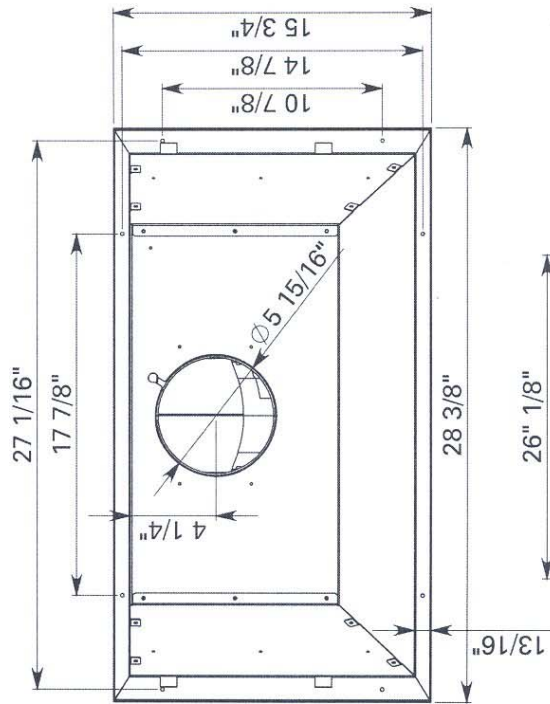
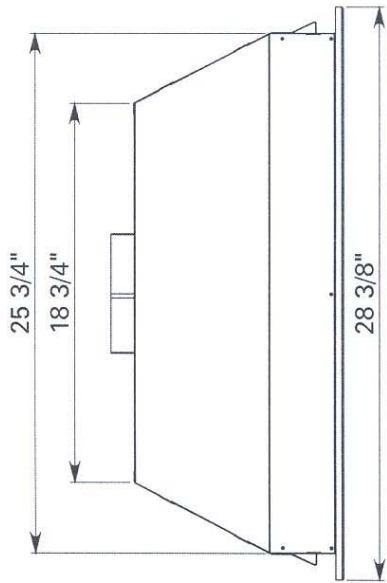
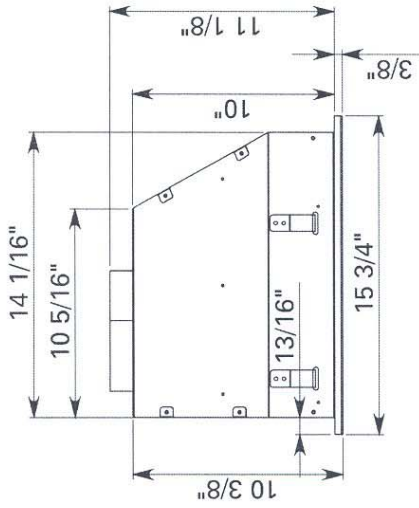
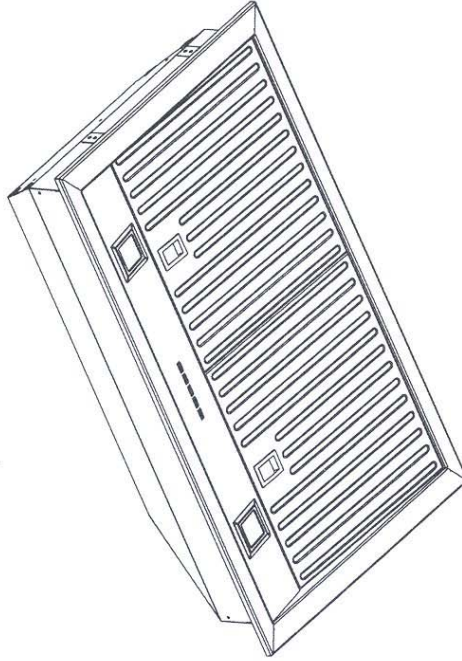
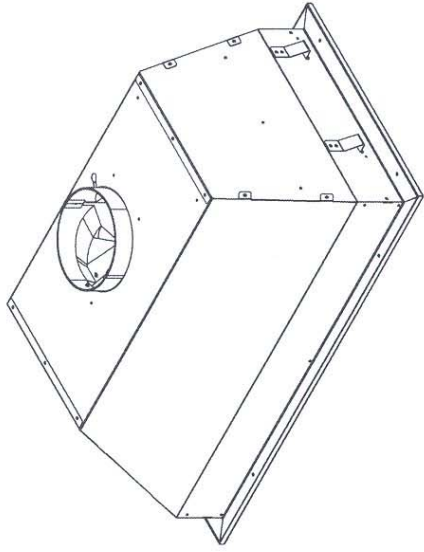
*Chère Madame/Cher Monsieur, félicitations!*

*Vous venez d'acheter une hotte haut de gamme. Pour en tirer les performances les meilleures veuillez lire avec attention le mode d'emploi et la maintenance que vous trouvez dans ce manuel ; pour commander les filtres de rechange au carbone actif veuillez vous servir du coupon annexé à la couverture.*

*Enhorabuena Señora/Señor!*

*Ha comprado una campana extractora de prestigio y calidad segura. Para que pueda obtener las mejores prestaciones, le sugerimos seguir con atención las instrucciones contenidas en este manual para el uso y el mantenimiento. Para pedir los filtros de recambio de carbón activo, utilice el cupón adjunto a la cubierta.*





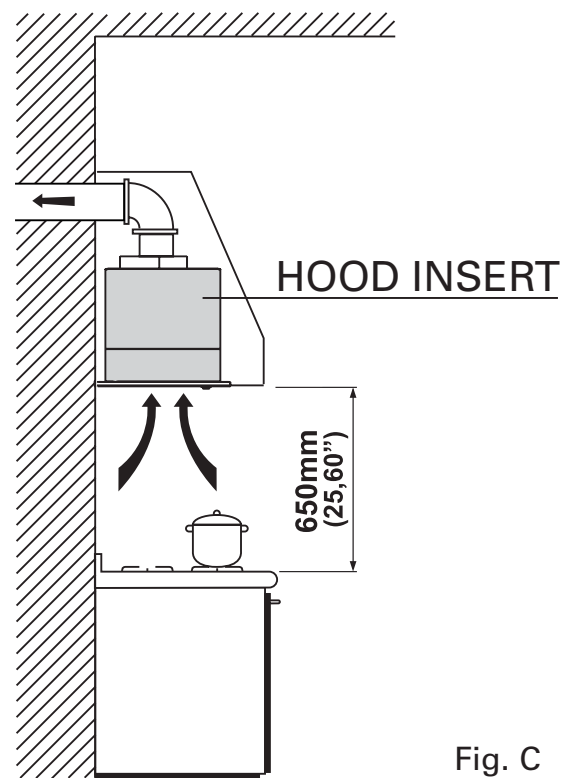


Fig. C

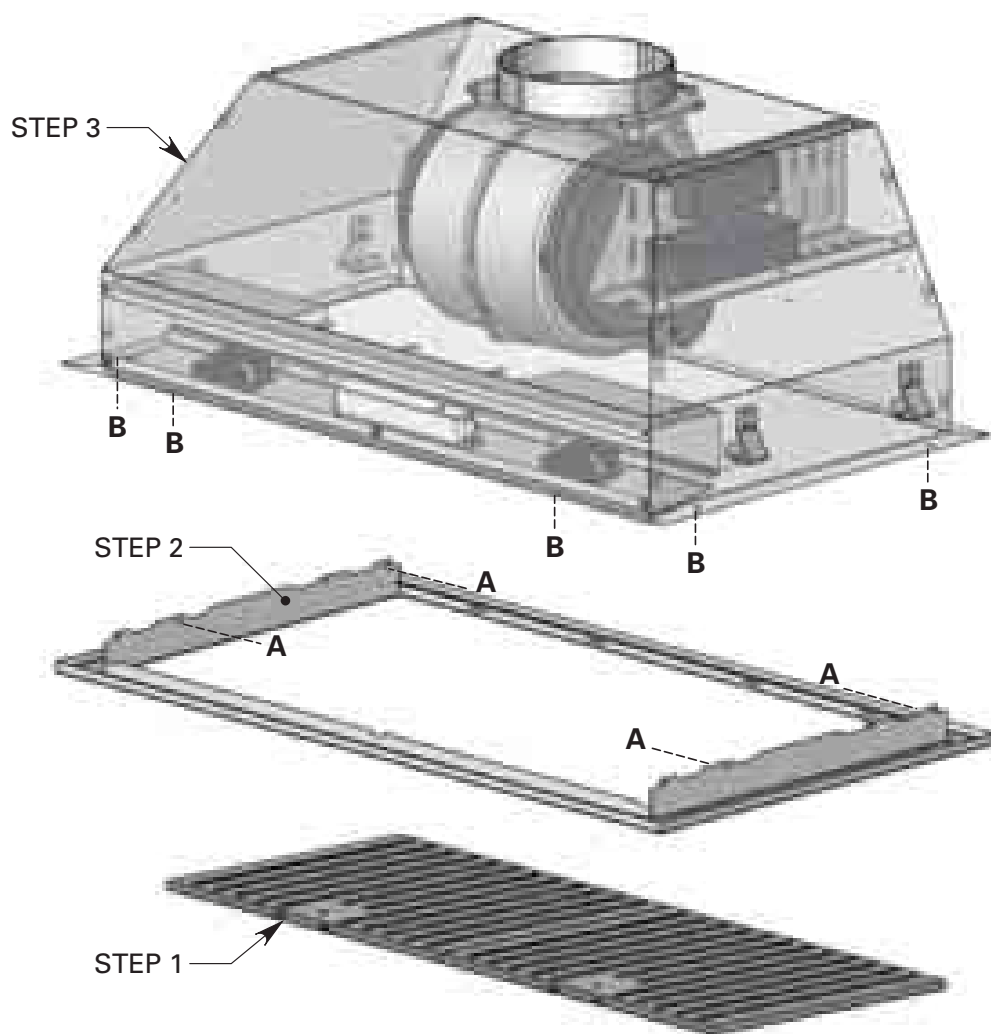
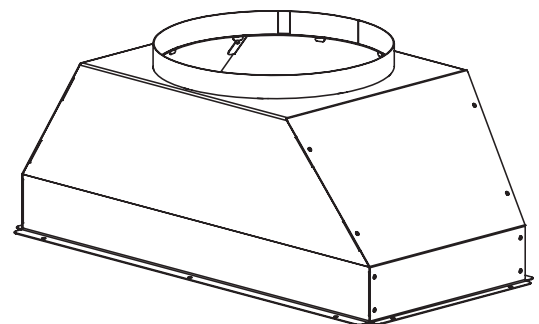
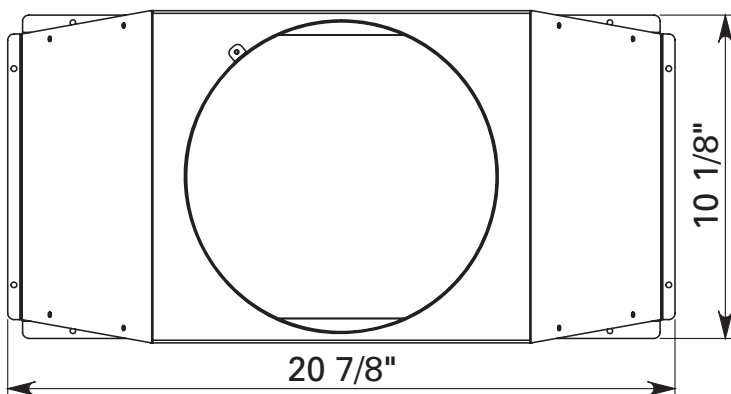
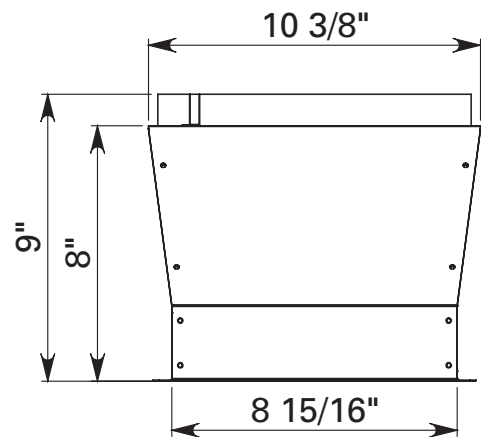
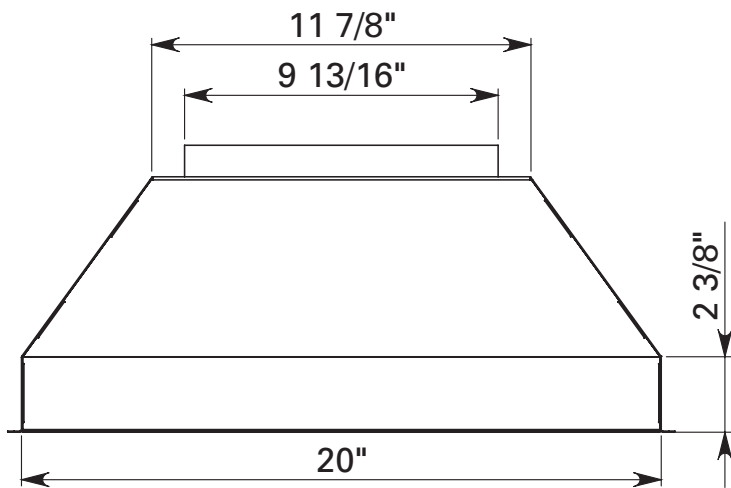


Fig. O

**OPTIONAL: Duct transition kit (only for 2 motors version)**  
**(Seulement pour modèle 2 moteurs)**  
**(Solo por versión 2 motores)**



**A****WARNINGS**

**This instruction booklet must be kept together with the appliance for future reference. If the appliance is sold or consigned to other parties, check that the booklet is supplied with it, to ensure that the new user has the correct information on the operation of the range hood and is aware of the warnings. These warnings have been provided for your safety and the safety of others. As a result, please read them carefully before installing and operating the appliance.**

This appliance is not intended for use by young children or infirm persons unless they have been adequately supervised by a responsible person to ensure that they can use the appliance safely. Young children should be supervised to ensure they do not play with the appliance.

The appliance must be installed by qualified personnel, in accordance with national and local safety regulations the standards in force. If the supply cord is damaged, it must be re-placed by the manufacturer, its service agent or similarly qualified persons in order to avoid a hazard. Any modifications that may be required to the electrical system for the installation of the range hood must only be made by qualified electricians.

It is dangerous to modify or attempt to modify the characteristics of this system. In the event of malfunctions or if repairs are required to the appliance, do not attempt to solve the problems directly.

Repairs performed by unqualified persons may cause damage. For all repair and other work on the appliance, contact an authorised service/spare parts centre.

Always check that all the electrical parts (lights, exhaust device), are off when the appliance is not being used. Read the entire instruction booklet before performing any operations on the range hood.

The manufacturer can not be held responsible for unauthorized work. Ensure that power to the appliance is OFF while installation or repair work is performed.

Verify that the voltage, load and circuit rating information found on the data plate (located behind the grease filter), match the household electrical supply before installing the hood.

**The range hood must only be used for the exhaust of cooking fumes in home kitchens. The manufacturer disclaims all liability for any other use of the appliance.**

**The maximum weight of any object placed above the hood, or hung to it (if possible) must not exceed 1,5 kilos. After installing the stainless steel hood, clean it in order to remove any residue of the protective glue, and stains of grease or oil. The manufacturer recommends its cleaning cloth available for purchase. The manufacturer accepts no liability in case of damage caused by the use of different detergent types.**

## B

# TECHNICAL SPECIFICATIONS

The technical data pertaining to the electric appliance The technical specifications of the appliance are shown on the rating plates located inside the range hood.

## C

# INSTALLATION

*(Section reserved for qualified installers of the range hood)*

Minimum distance: distance between the main top of the cooking appliance and the bottom-most section of the hood. When the hood is positioned above a gas appliance this minimum distance must be at least 65 cm (25,6") (see fig. C) or more importantly, check the distances specified for the gas cooking appliance.

In the outside exhaust version, the diameter of the entire duct run must be no smaller than the range hood connection.

In the horizontal duct run, the duct must slope slightly (around 10%) upwards, so as to better ventilate the air outside of the room.

Avoid using angled pipes, make sure that the pipes are at least of the minimum length.

Comply with the current regulations on air discharge into the atmosphere.

If a boiler, stove, fireplace, etc. that uses gas or other fuels is being used at the same time, make sure the room where the fumes are extracted is well ventilated, in compliance with the current regulations.

Mounting instruction: see section "O" of the booklet.

## D

# ELECTRICAL CONNECTIONS

*(Section reserved for qualified installers)*

### **WARNING!**

**Before doing any work inside the range hood, disconnect the appliance from the mains power supply.**

**Check that the wires inside the range hood are not disconnected or cut; if this is the case, contact your nearest service centre. The electrical connections must be performed by qualified personnel.**

The connections must be performed in compliance with the legal standards in force. Check that the receptacle and wiring are able to support the load of the appliance (see the technical specifications in point B).

**THIS APPLIANCE MUST BE GROUNDED.**

### **Important:**

The hood comes equipped with a 5 ft(1.5 m) power cord with a NEMA 5-15 molded plug for connection to a 120 VAC, 60 Hz, 15 A power outlet. This outlet must be located in the duct cover area above the hood.

Some types of appliance are supplied with a cable without plug; in this case, "standardised" or a junction box must be used, keeping in mind that:

- the yellow-green wire must be used for the earth,
- the blue/white wire must be used for the neutral,



- the brown/black wire must be used for the phase; the cable must not come into contact with hot parts (over 75°C).
- fit a plug that is suitable for the load to the power cable, and connect it to a suitable power outlet.

If local codes permit, the power cord may be removed and the hood may be connected to a hard wired electrical connection. If there is any question concerning the electrical connection of this appliance to your power supply, please consult a licensed electrician.

For appliances that come supplied with cable and plug please ensure they are plugged into a circuit suitable for this appliance.

Please refer to a qualified person. (See technical specifications in point B).

**The manufacturer declines all liability if the safety standards are not observed.**



## **RANGE HOOD WITH OUTSIDE DISCHARGE (exhaust)**

In this application, the fumes and steam from the kitchen are vented outside through an exhaust duct.

The exhaust conveyor that protrudes from the upper part of the range hood must be connected to a duct that carries the fumes and steam outside.

There must be adequate ventilation of the room when the range hood is used at the same time as appliances burning gas or other fuels, according to the standard.

---

Deviation for Germany:

When the range hood and appliances supplied with energy other than electricity are simultaneously in operation, the negative pressure in the room must not exceed 4 Pa (4x10 E-5 bar).

---

**ELECTRONIC CONTROL PANEL****Light pushbutton** 

- ON: light on (the pushbutton is lit);
- OFF: light off;

**Pushbutton -**

Press to reduce motor speed

Speed 1, 2 and 3 are indicated by the number of LEDs that light up (excluding the light and the timer LEDs).

**Pushbutton +**

Press to increase motor speed

Speed 1, 2 and 3 are indicated by the number of LEDs that light up (excluding the light and the timer LEDs).

(In the 4-speed version the pushbutton + blinks. The fourth speed remains on for a set duration of time. After 15 minutes the motor returns to the third speed).

**Mode pushbutton**

Function: it turns hood motor on and off.

The function "**desired speed**" enables to start the motor at the speed that was selected before the hood was last turned off.

Optional: *version with remote control (some versions only).*

**WARNING:**

Install the hood away from sources of electromagnetic waves, as these could affect the correct operation of the electronic system.

Maximum operating distance: 5 metres. The maximum operating distance could be less than 5 metres in case of electromagnetic interference by other equipment.

Light pushbutton on remote control: light on/off.

– and + pushbutton: increase/decrease speed (to start the motor press either the + or the – pushbutton).

Timer pushbutton: see instructions below.

Instructions for changing the code (only in case of malfunctions caused by interferences):

Disconnect the hood from the power supply

Remove the cover of the remote control, change the code with the levers.

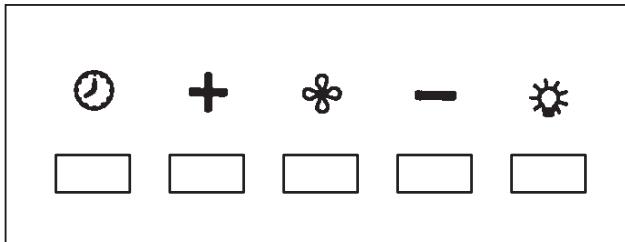
Connect the hood to the power supply and make sure the lights and the motors are off.

Press the timer pushbutton for 2 seconds. When the red LED of the control panel lights up press any of the buttons on the control panel.

**Timer and 'filter clogged' alarm pushbutton** 

• This function allows the automatic turning off of the hood after running for 15 minutes at the speed previously set (the pushbutton shows a flickering light).

• After about 30 hours of running the pushbutton indicates the need for washing the metal filters (the pushbutton shows a solid red light). To disable the alarm press the pushbutton for a few seconds until the red light turns off. Then turn the hood off and on again to check that the alarm has disappeared.

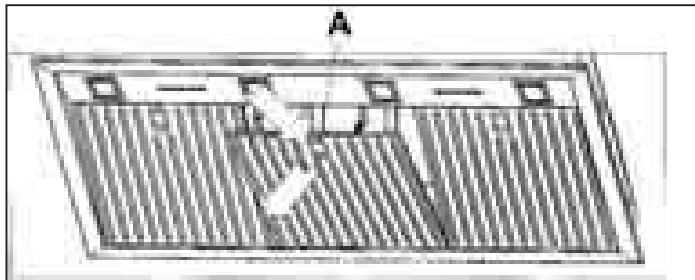


# H

## FILTERS REMOVING AND REPLACING'S INSTRUCTIONS

### 1. METAL FILTERS

To remove the metal grease-trapping filter, using the handle A until releasing it from the guide. To reposition the filter, repeat the operation in the reverse order.



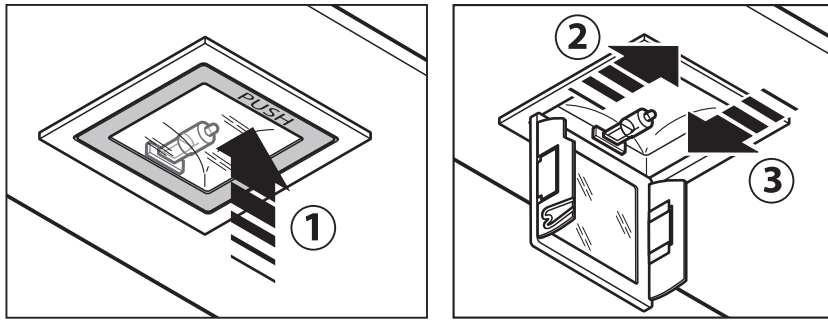
# I

## LIGHTING ASSEMBLY AND REPLACEMENT

### SPOTLIGHT

How to replace a square halogen light:

- Check that the equipment is disconnected from the power supply.
- Open the panel completely till 90° (see figure)** pressing the PUSH button.
- Replace the lamp with a similar one (halogen, max 20W, 12 Volt, G4 connection).
- Close the panel. If the panel does not close correctly repeat the operation at point b.



# L

## MAINTENANCE AND CLEANING

Constant maintenance ensures the correct operation and efficiency of the appliance over time. Special attention should be paid to the metal grease-trapping filters and the charcoal filters. Frequent cleaning of the filters and their supports will ensure that fats and grease do not accumulate on the range hood, with the consequent risk of fire.

### 1. METAL GREASE-TRAPPING FILTERS

These trap the fat and grease particles suspended in the air, and therefore should be washed every month in hot water and detergent, without bending them. Wait until they are completely dry before repositioning them.

To remove and replace these filters, see the instructions in point H1. This operation should be performed at regular intervals.

### 3. CLEANING THE OUTSIDE OF THE APPLIANCE

The outside of the range hood should be cleaned using a damp cloth and neutral liquid detergent or denatured alcohol.

In case of fingerprint-less finish (fasteel) clean only with water and neutral soap using clean with a soft cloth, rinse and wipe dry thoroughly. Do not use products that contain abrasive substances, rough cloths or cloths specifically designed for cleaning steel. Using abrasive substances or rough cloths will inevitably damage the finish of steel.

The steel surface will be irrevocably damaged if the instructions above are not complied with.

Keep these instructions together with the instructions for use of your hood.

The manufacturer accepts no liability for any damage caused by non-compliance with the instructions above.

### 4. CLEANING THE INSIDE OF THE APPLIANCE

The electrical parts or parts of the motor assembly inside the range hood must not be cleaned using liquids or solvents.



**Do not use abrasive products. All the above operations must be performed after having disconnected the appliance from the mains power supply.**

# M

## SAFETY WARNINGS



The electrical system features an earth connection in compliance with international safety standards; furthermore, it is compliant with the European standard for electromagnetic compatibility.

Do not connect the appliance to flues (from boilers, fireplaces, etc.). Make sure the mains voltage corresponds to the values on the rating plate located inside the range hood. The minimum safety distance between the cooktop and the range hood must be at least 65 cm (25,6").

Never cook on "open" flames under the range hood.

Check deep-fryers during use: superheated oil may be flammable.

- Ensure there is adequate ventilation of the room when the rangehood is used at the same time as appliances burning gas or other fuels.
- Do not flambe under the rangehood
- The exhaust air must not be discharged into a flue which is used for exhausting fumes from appliances burning gas or other fuels.
- Ensure that all regulations concerning the discharge of exhaust air have been fulfilled before you use the appliance.



**Before performing any cleaning or maintenance operations, disconnect the appliance by unplugging it or using the main switch. The manufacturer disclaims all liability for any damage that may be directly or indirectly caused to people, things and animals due to the failure to follow all the instructions provided in this booklet and above all the warnings relating to the installation, operation and maintenance of the appliance.**

# N

## WARRANTY

The new equipment is covered by warranty.

The warranty conditions are provided by the distributor.



**The manufacturer is not liable for any inaccuracies in this booklet resulting from printing or transcription errors. The manufacturer reserves the right to modify its products as it considers necessary or in the interests of the user, without compromising their essential safety and operating characteristics.**

# O

## ASSEMBLY INSTRUCTIONS (fig. O)

### Step 1

- Remove the metal filters

### Step 2

- Screw off the 4 screws (A), then remove the bottom part.

### Step 3

- Insert the hood into the furniture hole fix the hood using 10 screws for wood (B).

### Step 4

- Before making the electrical connections disconnect the power supply.
- Repeat step 1,2 to mount the bottom part and the metal filters.

**A****AVERTISSEMENTS**

Conserver cette notice avec l'appareil pour pouvoir la consulter en cas de besoin.

Si l'appareil est vendu ou cédé à tiers, veiller à ce que la notice soit fournie en même temps pour que le nouvel utilisateur puisse avoir toutes les indications concernant le fonctionnement de la hotte et les avertissements correspondants.

**La notice a été rédigée pour votre sécurité et celle d'autrui. Nous vous prions donc de la lire attentivement avant de monter et d'utiliser l'appareil.**

Les enfants ou les handicapés ne doivent se servir de l'appareil que sous la surveillance d'une personne responsable pouvant s'assurer qu'ils l'utilisent en toute sécurité.

Veiller à ce que les enfants ne jouent pas avec l'appareil.

L'appareil doit être monté par un installateur compétent et qualifié, conformément aux réglementations locales et nationales en vigueur en matière de sécurité.

Si le câble d'alimentation est abîmé, demander au fabricant, à un Service après-vente agréé ou à une personne expérimentée de le remplacer afin de prévenir tout risque de danger.

Les modifications éventuelles de l'installation électrique, qui s'avèrent nécessaires pour monter la hotte, doivent être faites par du personnel compétent.

Il est dangereux de modifier ou d'essayer de modifier les caractéristiques de cette installation. En cas de panne ou de mauvais fonctionnement de l'appareil, ne pas essayer de résoudre le problème mais s'adresser au Service après-vente agréé.

Les réparations faites par des personnes non compétentes peuvent abîmer l'appareil.

Pour toute intervention, s'adresser à un Service après-vente agréé en mesure de fournir les pièces détachées.

Toujours vérifier si les parties électriques, (lumières, aspirateur) sont éteintes quand l'appareil n'est pas utilisé. Lire entièrement la notice avant d'effectuer une opération quelconque sur la hotte.

Le fabricant décline toute responsabilité en cas d'opérations non autorisées.

S'assurer que l'alimentation électrique de l'appareil est bien débranchée avant de commencer toutes opérations d'installation ou de réparation.

Vérifier que les valeurs nominales de tension, charge et circuit indiquées sur la plaque signalétique (située derrière le filtre à graisse) correspondent bien à l'alimentation électrique du réseau avant d'installer la hotte.

**La hotte s'utilise de la même façon que les aspirateurs des fumées de cuisson au-dessus des cuisinières domestiques.**

**Le fabricant décline toute responsabilité en cas d'usage impropre.**

**Le poids maximal des objets éventuels placés ou suspendus (quand c'est prévu) sur la hotte ne doit pas dépasser 1,5 kg.**

**Après avoir monté la hotte en acier inox, la nettoyer pour éliminer les résidus de colle ou de produit de protection et les taches de graisse ou d'huile.**

Pour exécuter cette opération, le constructeur recommande l'utilisation des lingettes détergentes fournies avec la lampe.

Le fabricant décline toute responsabilité pour les dommages éventuels en cas d'emploi d'autres types de détergents.

## **B** CARACTÉRISTIQUES TECHNIQUES

Les données techniques de l'appareil sont reportées sur les plaques qui se trouvent à l'intérieur de la hotte.

## **C** MONTAGE

*(partie réservée au personnel qualifié pour le montage de la hotte)*

Distance minimale: distance entre la partie la plus haute de l'appareil de cuisson et la partie la plus basse de la hotte de cuisine.

Quand la hotte de cuisine est placée au-dessus d'un appareil de cuisson à gaz, cette distance doit être d'au moins 65 cm (25,6") (voir figure C1). Il est conseillé de vérifier les distances indiquées pour l'appareil de cuisson à gaz. Si la notice de l'appareil de cuisson à gaz indique une distance supérieure, il faut en tenir compte. Dans la version aspirante, le tuyau complet de sortie des fumées doit avoir un diamètre non inférieur à celui du raccord de la hotte.

Dans les segments horizontaux, le tuyau doit être légèrement incliné (environ 10%) vers le haut pour mieux acheminer l'air vers l'extérieur du local.

Utiliser les coudes le moins possible, vérifier que les tubes ont la longueur minimum indispensable.

Respecter les normes en vigueur sur l'évacuation de l'air à l'extérieur.

Si la hotte fonctionne en même temps que d'autres appareils alimentés au gaz ou avec d'autres combustibles (chaudières, poêles, cheminées, etc.), s'assurer que le local où a lieu l'aspiration des fumées est bien aéré, conformément aux normes en vigueur.

Instructions de montage: voir section "O" de la présente notice.

## **D** BRANCHEMENT ÉLECTRIQUE

*(partie réservée au personnel qualifié pour le branchement)*

**ATTENTION!**

**Toujours débrancher l'appareil avant de faire une opération quelconque à l'intérieur de la hotte.**

**S'assurer qu'aucun fil n'est débranché ou coupé ; si c'est le cas, contacter le Service après-vente le plus proche.**

**S'adresser à du personnel qualifié pour le branchement électrique.**

Les branchements doivent être effectués conformément aux dispositions de loi en vigueur. Vérifier si le disjoncteur et l'installation électrique peuvent supporter la charge de l'appareil (voir plaque des caractéristiques techniques au point B).

**CET APPAREIL DOIT ÊTRE CONNECTÉ À UNE INSTALLATION DE MISE À LA TERRE.**

**Important:**

La hotte est fournie équipée d'un câble d'alimentation de 1,5 m (5 pieds) avec une fiche moulée NEMA 5-15 pour la connexion à une prise de courant de 120 Vca, 60 Hz, 15 A.

Cette prise de courant doit être située dans la zone de la couverture du tuyau d'évacuation au-dessus de la hotte.

Certains appareils peuvent être munis d'un câble sans fiche ; la fiche à utiliser doit dans ce cas être de type « standardisé » en tenant compte que:

- le fil jaune-vert doit être utilisé pour la mise à la terre;
- le fil bleu/blanc doit être utilisé pour le neutre;
- le fil marron/noir doit être utilisé pour la phase, le câble ne doit pas être en contact avec les parties chaudes ayant une température supérieure à 75°C;
- monter une fiche adaptée à la charge sur le câble d'alimentation et la brancher à une fiche de sécurité appropriée.

Si les dispositions locales le permettent, il est possible d'enlever le câble d'alimentation et connecter la hotte à une connexion électrique à fil.

En cas de doutes sur la connexion de l'appareil au réseau électrique, il est conseillé de consulter un électricien qualifié autorisé.

Si un appareil fixe n'est pas muni d'un câble d'alimentation et d'une fiche, ou d'un autre dispositif pour le débrancher, avec une distance d'ouverture des contacts permettant la coupure de courant totale en cas de surtension, catégorie III, les instructions doivent indiquer que ces dispositifs de coupure doivent être prévus dans le réseau d'alimentation, conformément aux règles d'installation.

Le câble de terre jaune/vert ne doit pas être interrompu par l'interrupteur.

Avant de brancher l'appareil, vérifier si :

- la tension d'alimentation correspond à celle indiquée sur la plaque caractéristiques techniques ;
- la prise de terre est correcte et fonctionnelle ;
- le système d'alimentation est muni d'un branchement à la terre efficace, conformément aux normes en vigueur ;
- la prise ou l'interrupteur omnipolaire sont faciles à atteindre lorsque l'appareil est monté.

**Le fabricant décline toute responsabilité si les normes de sécurité ne sont pas respectées.**



## **HOTTE VERSION À ÉVACUATION EX-TÉRIEURE (aspirante)**

Dans cette version, les fumées et les vapeurs de cuisine doivent être acheminées vers l'extérieur par un tuyau d'évacuation.

Le convoyeur d'évacuation qui dépasse en haut de la hotte doit être relié à un tuyau qui conduit les fumées et les vapeurs vers une sortie extérieure.

Le local doit être suffisamment aéré, conformément aux normes en vigueur, si la hotte est utilisée en même temps que d'autres appareils qui fonctionnent au gaz ou avec d'autres combustibles.

---

Indication spécifique pour l'Allemagne :



Quand la hotte fonctionne en même temps que des appareils alimentés avec de l'énergie autre que celle électrique, la pression négative dans le local ne doit pas dépasser les 4 Pa ( $4 \times 10^{-5}$  bar).

---

## **G** FONCTIONNEMENT

### **Bouton lumière**

- ON: lumière allumée (bouton allumé);
- OFF: lumière éteinte;

### **Bouton -**

Cette touche permet de réduire la vitesse du moteur.

Les vitesses 1, 2 et 3 sont indiquées grâce au voyant correspondant qui s'allume, à l'exclusion du voyant lumière et de la minuterie.

### **Bouton +**

Les vitesses 1, 2 et 3 sont indiquées grâce au voyant correspondant qui s'allume, à l'exclusion du voyant lumière et de la minuterie.

(Dans la version à 4 vitesses, la touche + a une lumière qui clignote.

La 4e vitesse (ou vitesse intensive) est temporisée et le moteur passe automatiquement à la 3e vitesse au bout d'environ 15 minutes).

### **Bouton mode**

Fonction: marche et arrêt du moteur de la hotte.

La fonction **vitesse désirée** permet de mettre le moteur en marche à la dernière vitesse sélectionnée avant l'arrêt.

En option: *version avec télécommande (disponible uniquement sur certaines versions).*

### **AVERTISSEMENTS:**

Placer l'appareil loin de sources d'ondes électromagnétiques pouvant interférer avec l'électronique de la hotte.

Distance maximale de fonctionnement 5 mètres. Cette distance peut varier en fonction des interférences électromagnétiques d'autres appareils.

Bouton lumière de la télécommande: on/off lumière.

Bouton – et + réduction/augmentation de la vitesse (pour mettre le moteur en marche, appuyer indifféremment sur la touche + ou sur la touche -.

Bouton minuterie: voir instructions ci-dessous.

Instruction changement de code (uniquement en cas de mauvais fonctionnement dû à des interférences):

Débrancher l'appareil, enlever le couvercle de la télécommande, modifier le code en agissant sur les leviers, rebrancher l'appareil et vérifier si les lumières et les moteurs sont éteints.

Appuyer sur la touche minuterie pendant 2 secondes et sur une touche quelconque du boîtier de commande quand le voyant rouge de ce dernier s'allume.

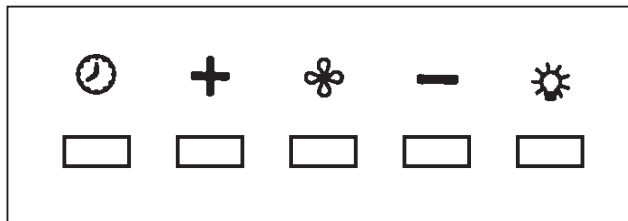
### **Bouton minuterie et saturation des filtres**

- Cette fonction permet d'éteindre automatiquement la hotte au bout de 15 minutes de fonctionnement à la vitesse réglée précédemment (bouton avec lumière clignotante).

- Au bout d'environ 30 heures de fonctionnement, le bouton propose le lavage des filtres métalliques (il devient rouge).

Pour désactiver l'alarme, appuyer sur le bouton minuterie pendant quelques secondes jusqu'à ce que la lumière rouge s'éteigne.

Éteindre ensuite la hotte et la rallumer pour voir si l'alarme a disparu.

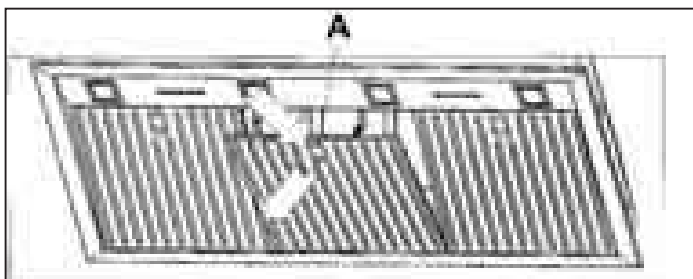


## **H**

## **FILTRES INSTRUCTIONS POUR LES ENLEVER ET LES REMPLACER**

### **1. FILTRES MÉTALLIQUES**

Pour extraire le filtre métallique anti-graisse, il suffit d'agir sur la poignée A jusqu'à ce qu'il sorte du rail. Procéder de la même façon pour le remonter mais en sens inverse.



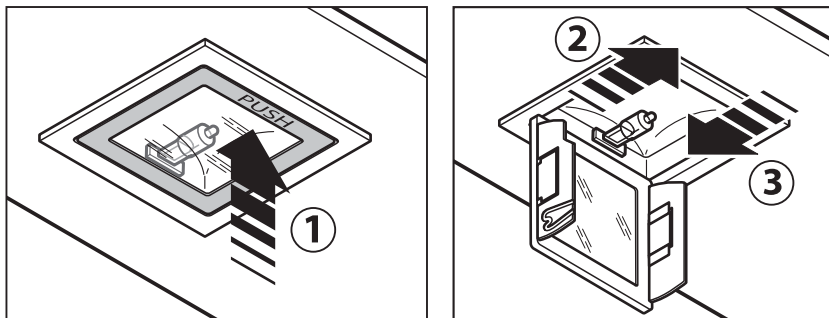
# I

## ÉCLAIRAGE MONTAGE ET REMPLACEMENT

### SPOT

Pour remplacer la lampe du "Square halogen light":

- S'assurer que l'appareil est bien débranché du réseau électrique.
- Ouvrir complètement le panneau jusqu'à un angle de 90° (voir figure) en appuyant sur PUSH.**
- Remplacer la lampe par une lampe similaire (halogène max. 20 W, 12 Volt culot G4).
- Refermer le panneau. Si le panneau ne se referme pas correctement, répéter l'opération du point b.



# L

## ENTRETIEN ET NETTOYAGE

L'entretien constant garantit un bon fonctionnement et un rendement optimal dans le temps. Il faut faire très attention en particulier aux filtres métalliques anti-graisse et à ceux au charbon actif. Le nettoyage fréquent des filtres et du support correspondant évite à la graisse de s'accumuler sur la hotte, ce qui pourrait provoquer un incendie.

### 1. FILTRES ANTI-GRAISSE MÉTALLIQUES

Ils servent à retenir les particules de graisse en suspension. Il est donc conseillé de les laver chaque mois dans de l'eau chaude contenant un peu de détergent, en évitant de les plier. Attendre qu'ils soient bien secs avant de les remonter.

Pour le démontage et le montage, voir les instructions au point H1. Répéter fréquemment l'opération.

### 3. NETTOYAGE EXTÉRIEUR DE LA HOTTE

Nettoyer la hotte avec un chiffon humide et un peu de détergent liquide neutre ou avec de l'alcool dénaturé.

Ne nettoyer qu'avec un chiffon souple trempé dans de l'eau contenant du savon neutre si la surface a subi un traitement anti-empreinte (Fasteel), en ayant soin de rincer et d'essuyer soigneusement. Ne pas utiliser de produits contenant des substances abrasives, un chiffon rêche ni le type de chiffon pour nettoyer l'acier que l'on trouve généralement dans le commerce car cela abîmerait irrémédiablement le traitement superficiel de l'acier.

La surface définitivement abîmée de l'acier sera la conséquence directe du non-respect de ces indications.

La notice complète doit être conservée avec l'appareil.

Le fabricant décline toute responsabilité si ces indications ne sont pas respectées.

### 4. NETTOYAGE INTÉRIEUR DE LA HOTTE

Il est interdit de nettoyer les parties électriques ou celles relatives au moteur à l'intérieur de la hotte avec des liquides ou des solvants;



**Ne pas utiliser de produits contenant des substances abrasives. Toujours débrancher l'appareil avant d'effectuer les opérations indiquées plus haut.**



## SÉCURITÉ AVERTISSEMENTS



L'installation électrique est dotée d'un branchement à la terre comme reporté dans les normes de sécurité internationales; elle est par ailleurs conforme aux normes européennes sur les parasites radio.

Ne pas relier l'appareil aux conduits d'évacuation des fumées dues à la combustion (chaudières, cheminées, etc.).

Vérifier si la tension du réseau correspond à celle indiquée sur la plaque qui se trouve à l'intérieur de la hotte.

La distance minimale de sécurité entre la table de cuisson et la hotte doit être d'au moins 65 cm (25,6").

Ne pas faire cuire avec une flamme « libre » en dessous de la hotte. Vérifier les friteuses durant l'emploi : l'huile surchauffée pourrait prendre feu.

- S'assurer que le local est suffisamment aéré s'il faut faire fonctionner la hotte en même temps que certains appareils qui utilisent le gaz ou autre comme combustible.
- Ne pas allumer de flammes libres en dessous de la hotte.
- Ne pas relier l'appareil aux conduits d'évacuation des fumées dues à la combustion (chaudières, cheminées, etc.).
- S'assurer que les normes en vigueur sur l'évacuation de l'air à l'extérieur du local sont respectées avant d'utiliser la hotte.



**Débrancher l'appareil en enlevant la fiche ou en actionnant l'interrupteur général avant d'effectuer une opération de nettoyage ou d'entretien quelconque. Le fabricant décline toute responsabilité pour les accidents ou les dom-**

mages directs ou indirects éventuels aux animaux domestiques ou aux biens dus au non-respect des indications reportées dans cette notice et concernant, en particulier, les avertissements sur le montage, l'emploi et l'entretien de l'appareil.



## GARANTIE

L'appareil est couvert par la garantie.

Les conditions de garantie sont reportées en entier au dos de cette notice.



**Le fabricant décline toute responsabilité pour les inexactitudes, imputables à des erreurs d'impression ou de transcription, contenues dans cette notice. Il se réserve le droit d'apporter les modifications qu'il juge nécessaires ou utiles à ses produits, même dans l'intérêt de l'utilisateur, sans pour autant compromettre les caractéristiques essentielles relatives au fonctionnement et à la sécurité.**



## INSTRUCTIONS DE MONTAGE (fig. 0)

### Phase 1

- Retirer les grilles métalliques.

### Phase 2

- Retirer le fond en acier inox après avoir dévissé les 4 vis (A).

### Phase 3

- Introduire le groupe encastrable dans le meuble par le dessous et le fixer à l'aide des 10 vis pour bois (B) fournies.

### Phase 4

- Débrancher l'appareil avant d'effectuer les connexions électriques.

- Ré-assembler le tout en suivant la procédure inverse des phases 1 et 2.

**A****ADVERTENCIAS**

Es muy importante conservar este libro de instrucciones junto al aparato para cualquier consulta futura.

Si el aparato tuviera que ser vendido o traspasado a otra persona, asegúrese que el libro vaya incluido, de modo que el nuevo usuario pueda ponerse al corriente del funcionamiento de la campana y de las advertencias correspondientes.

Estas advertencias han sido redactadas para su seguridad y para la de los demás, les rogamos, por tanto, de leerlas atentamente antes de la instalación y la utilización del aparato.

Este aparato no debe ser usado por niños o personas enfermas a menos que no esten controladas por alguna persona responsable que se asegure que el aparato sea utilizado con seguridad.

Los niños deben controlados por alguna persona responsable que se asegure que no juegan con el aparato.

El montaje tiene que ser realizado por personal cualificado siguiendo la normativa nacional y local vigente en materia de seguridad.

Si el cable de alimentación está dañado, debe ser sustituido por el fabricante, por el Servicio Asistencia Técnica o por un personal cualificado con el fin de evitar posibles riesgos.

Cualquier modificación que se debiera realizar en el montaje eléctrico para instalar la campana debe ser supervisada por personal competente.

Es peligroso modificar o intentar modificar las características de esta instalación. En caso de reparación o mal funcionamiento del aparato, no intentar resolver el problema directamente.

Las reparaciones efectuadas por personas no cualificadas pueden provocar daños.

Para manipulaciones eventuales diríjase a un Centro de Asistencia Técnica autorizado.

Controlar siempre que todas las piezas eléctricas (luces, aspirador) queden apagadas cuando no se use el aparato. Leer todo el libro de instrucciones antes de efectuar ninguna operación en la campana.

El fabricante no se podrá considerar responsable en caso de operaciones no autorizadas. Asegúrese que la alimentación eléctrica de la instalación esté apagada durante las operaciones de instalación o de arreglo.

Antes de proceder a la instalación de la campana averigüe que la tensión de red corresponda a las especificaciones de voltaje, carga y circuito indicadas en la placa de los datos (detrás del filtro antigrasa).

**El uso de la campana no puede ser otro que el aspirar humos de cocción en cocinas domésticas.**

**Cualquier uso diverso exime al fabricante de cualquier responsabilidad.**

**El peso máximo permitido de objetos eventualmente colocados o colgados (en su caso) sobre la campana no debe superar 1,5 kilos.**

**Una vez instaladas, las campanas en acero inoxidable deben limpiarse para**

eliminar los residuos de plásticos protecto y eventuales manchas de grasa y aceite. Para esta operación aconsejamos la utilización de nuestro producto específico disponible a la venta.

La utilización de otra tipología de detergentes exime al fabricante de la responsabilidad de los daños que se puedan derivar.

## **B** CARACTERÍSTICAS TÉCNICAS

Los datos técnicos del electrodoméstico están contenidos en las placas, situadas en la parte interior de la campana extractora.

## **C** INSTALACIÓN

*(Parte reservada exclusivamente a personas cualificadas).*

Distancia mínima: distancia entre la superficie del soporte de los recipientes de cocción y la parte más inferior de la campana. Si la campana se coloca encima de un aparato de gas, esta distancia debe ser como mínimo 65 cm (25,6") (ver fig. C). Si las instrucciones de la placa de cocción a gas especifica una distancia mayor, necesita tenerlo en cuenta.

En la versión aspirante, el tubo de salida de los humos debe tener un diámetro no inferior al del empalme de la campana extractora (ver fig.). En los tramos horizontales, el tubo debe presentar una leve inclinación (del 10% aproximadamente) hacia arriba para transportar fácilmente el aire hacia el exterior del ambiente.

Reducir las curvas al mínimo; controlar que los tubos tengan la longitud mínima indispensable.

Respetar la normativa vigente sobre salida de humos al exterior.

En caso de usar a la vez otros utensilios (calefacción, estufas, chimeneas, etc) alimentadas a gas o con otros combustibles, proveer al local de una ventilación adecuada de aspiración de humos, según la normativa vigente.

Instrucciones de montaje de la campanas: punto "O".

## **D** CONEXIÓN ELÉCTRICA

*(Parte reservada exclusivamente a personas cualificadas).*

### **ATENCIÓN!**

**Antes de efectuar cualquier operación en el interior de la campana extractora, desenchufe el aparato de la red eléctrica.**

**Asegúrese de no desconectar o cortar los hilos eléctricos en el interior de la campana extractora; si se producen estas circunstancias póngase en contacto con el centro de asistencia más cercano. Para la conexión eléctrica solicite la intervención de personal cualificado.**

Debe efectuar la conexión en conformidad con las disposiciones de ley en vigor. Controle que la válvula de sobrepresión y la instalación eléctrica puedan soportar la carga del aparato (véase la placa de las características técnicas en el punto B).

HAY QUE EQUIPAR ESTE APARATO DE UNA INSTALACIÓN DE PUESTA A TIERRA.

**Importante:** La campana está equipada de un cable de alimentación de 1,5 metros (5 pies) con un enchufe NEMA 5-15 para la conexión a una toma de 120 VAC, 60 Hz, 15 A. Hay que colocar esta toma en el área de cobertura del tubo de escape sobre la campana.

Algunos tipos de aparatos pueden equiparse con un cable sin clavija, en este caso, use un tipo de clavija «normalizado» teniendo en consideración que:

- debe utilizar el hilo amarillo – verde para la puesta a tierra.
- debe utilizar el hilo azul/blanco para el neutro.
- debe utilizar el hilo marrón/negro para la fase, el cable no debe entrar en contacto con partes calientes con temperaturas superiores a los 75 °C.
- monte en el cable de alimentación un enchufe apto para la carga que debe conectar a una clavija de seguridad adecuada.

Si las disposiciones locales lo permiten, es posible remover el cable de alimentación y conectar la campana a una conexión eléctrica con hilo.

En caso de dudas sobre la conexión de la instalación a la red eléctrica se aconseja consultar a un electricista autorizado.

El cable de tierra amarillo / verde no debe ser interrumpido por el interruptor.

Antes de proceder a la conexión, controle que:

- la tensión de alimentación corresponda a la indicada en la placa de las características técnicas.
- la toma de tierra sea correcta y funcione.
- el equipo de suministro esté equipado con una conexión de tierra eficaz según las normas en vigor.
- la toma o el interruptor omnipolar usados sean fácilmente accesibles con la instrumentación instalada.

**El fabricante declina cualquier responsabilidad en caso de no respetar las normas para la prevención de accidentes.**

## E

## CAMPANA EXTRACTORA EN LA VERSIÓN CON EVACUACIÓN EXTERIOR (aspirante)

En esta versión los humos y los vapores de la cocina son transportados hacia el exterior mediante un tubo de salida.

El tubo de salida que sobresale por la parte superior de la campana extractora debe estar acoplado a un tubo que conduce los humos y los vapores hacia una salida exterior.

Cuando

la campana extractora de cocina se utiliza contemporáneamente con otros aparatos que emplean gas u otros combustibles, el local debe disponer de una ventilación suficiente.

---

Indicación para Alemania:

Si la campana y los aparatos alimentarios con energía diferente a la eléctrica están en funcionamiento simultaneo, la presión negativa del local no debe superar los 4 Pa ( $4 \times 10^{-5}$  bar).

---



# G

## FUNCIONAMIENTO

### BOTONERA ELECTRÓNICA

#### **Pulsador de la luz**

- ON: luz encendida (pulsador iluminado);
- OFF: luz apagada;

#### **Pulsador -**

Pulsando la tecla se reduce la velocidad del motor

La velocidad 1, 2 y 3 se visualiza en el nº de led encendido, excluyendo el led de la luz y del timer.

#### **Pulsador +**

Pulsando la tecla se aumenta la velocidad del motor

La velocidad 1, 2 y 3 se visualiza en el nº de led encendido, excluyendo el led de la luz y del timer (en la versión a 4ª velocidad, el pulsador + presenta una luz intermitente. La 4ª velocidad o intensiva se temporiza y después de 15 minutos aproximadamente, el motor pasa automáticamente a 3ª velocidad.

#### **Pulsador de modalidad**

Función: encendido y apagamiento del motor de la campana.

La función velocidad deseada permite arrancar el motor con la última velocidad seleccionada antes del apagamiento anterior.

Opcional: *versión con telemando (sólo disponible en algunas versiones).*

#### **ADVERTENCIAS:**

Posicionar el aparato lejos de fuentes electromagnéticas que podrían interferir con la electrónica de la campana.

Distancia máxima de funcionamiento de 5 metros. Esta distancia puede variar en defecto en función de las interferencias electromagnéticas de otros aparatos.

Luz pulsador del temando: ON/OFF

Pulsador – y + disminución/incremento velocidad (para arrancar el motor pulsar indiferentemente pulsador + ó –

Pulsador timer: ver instrucciones a continuación

Instrucción de cambio de código (sólo en caso de mal funcionamiento debido a interferencias):

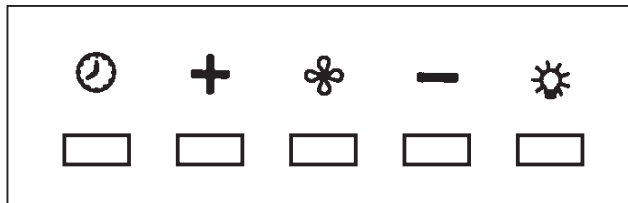
Desenchufar el aparato de la red eléctrica.

Abrir la cubierta del telemando, modificar el código accionando sobre la leva. Enchufar el aparato a la red eléctrica y verificar que luces y motor estén apagados.

Pulsar la tecla timer durante 2 segundos y cuando se ilumine el led rojo de la botonera apretar una tecla cualquiera de la botonera.

### **Pulsador del temporizador y de saturación de los filtros**

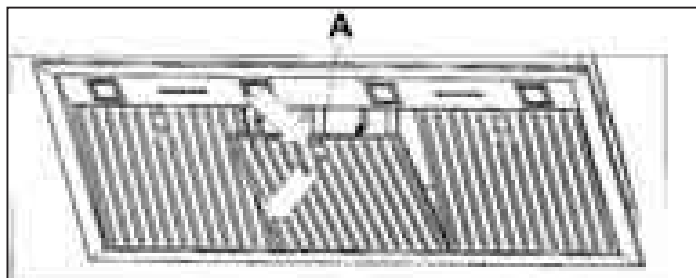
- Esta función permite el apagamiento automático de la campana después de 15 minutos de funcionamiento a la velocidad planteada anteriormente (pulsador con luz parpadeante).
- Después de 30 horas de funcionamiento aproximadamente el pulsador propone el lavado de los filtros metálicos (pulsador iluminado de rojo). Para desactivar la alarma pulsar el pulsador por algunos segundos hasta que la luz roja se apaga. A continuación pare la campana y vuelva a ponerla en marcha para comprobar que la alarma ha quedado anulada.



## **H** **FILTROS INSTRUCCIONES PARA EXTRACCIÓN Y SUSTITUCIÓN**

### **1. FILTROS METÁLICOS**

Para extraer el filtro metálico antigrasa sólo debe actuar en la manilla A hasta hacerlo salir por la guía delantera. Para su colocación invierta la operación A.



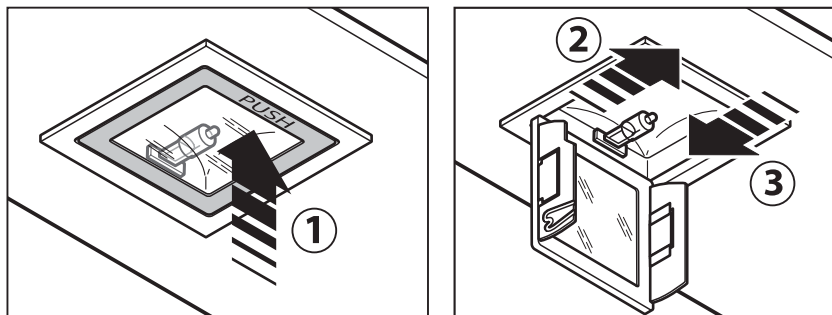
# I

## ILUMINACIÓN MONTAJE Y SUSTITUCIÓN

### FARO

Para sustituir la lámpara halógena cuadrada:

- Asegurarse que el aparato está desconectado de la red eléctrica.
- Abrir completamente la ventanilla hasta un ángulo de 90° (ver figura) apretando en PUSH.
- Sustituir la lámpara por una similar (dicroica max 20 W, 12 Volt conexión G4).
- Cerrar la ventanilla. Si la ventanilla no se cierra correctamente repetir la operación del punto B).



# L

## MANTENIMIENTO Y LIMPIEZA

Un mantenimiento constante garantiza un buen funcionamiento y un buen rendimiento a lo largo del tiempo. Preste una atención especial a los filtros metálicos antigrasa y a los filtros de carbón activo, en efecto la limpieza frecuente de los filtros y de sus soportes garantiza que no se acumulen grasas, que son peligrosas por la facilidad de incendio, en la campana extractora.

### 1. FILTROS ANTIGRASA METÁLICOS

Su función es retener las partículas grasas en suspensión, por lo tanto le aconsejamos lavarlos mensualmente en agua caliente y detergente sin plegarlos. Espere hasta que estén perfectamente secos para remontarlos.

Para las operaciones de desmontaje - montaje le rogamos consultar las instrucciones facilitadas en el punto H1. Le recomendamos efectuar esta operación con una frecuencia constante.

### 3. LIMPIEZA EXTERIOR

La limpieza de la campana debe hacerse con un paño húmedo con jabón líquido neutro o con alcohol desnaturalizado.

En el caso de material con tratamiento antihuellas (FASTEEL) la limpieza se debe efectuar sólo con agua y jabón neutro utilizando un paño suave, siendo importantísimo enjuagar y secar bien. No se deben utilizar productos que contengan sustancias abrasivas, paños con superficies ásperas o paños que se adquieren en el comercio para la limpieza del acero. La utili-

zación de sustancias abrasivas o paños ásperos dañarán irreparablemente el tratamiento superficial del acero.

La consecuencia directa de no respetar estas indicaciones será el deterioro irreversible de la superficie del acero. Estas indicaciones deben conservarse junto al libro de instrucciones de la campana.

El fabricante declina cualquier responsabilidad en el caso de no respetarse estas instrucciones.

#### 4. LIMPIEZA INTERIOR

Se prohíbe limpiar las partes eléctricas o las partes relativas al motor del interior de la campana extractora, con líquidos o solventes.



**No use productos que contengan sustancias abrasivas. Realice todas estas operaciones desenchufando previamente el aparato de la red eléctrica.**



## SEGURIDAD ADVERTENCIAS



La instalación eléctrica está equipada de toma de tierra de acuerdo a las normas internacionales de seguridad y conforme a la normativa Europea de compatibilidades electromagnéticas.

No conectar el aparato a conductos de salida de humos derivados de combustión (calefacción, chimeneas, etc). Verificar que la tensión de la red eléctrica corresponde a la que indica la etiqueta localizada en el interior de la campana. La distancia mínima de seguridad desde la encimera a la campana debe ser de al menos 65 cm (25,6").

No cocinar a fuego "abierto" bajo la campana. Controlar las freidoras durante su uso, el aceite recalentado puede incendiarse.

Asegurarse que haya una ventilación adecuada en la estancia si la campana se utiliza junto con otros aparatos que usan combustión a gas u otros.

No encender fuego abierto bajo la campana.

No conectar el aparato a conductos de salida de humos derivados de la combustión (calefacciones, chimeneas, etc).

Asegúrese que se cumple la normativa vigente sobre salida de humos al exterior del local antes del uso de la campana.



**Antes de proceder a cualquier operación de limpieza o mantenimiento, apagar el aparato desenchufándolo o accionando el interruptor general. El fabricante declina cualquier responsabilidad por eventuales daños que pudieran, directa o indirectamente, ser causados a personas, cosas o animales domésticos derivados de la omisión de las prescripciones indicadas en el libro de instrucciones adjunto y concernientes especialmente, a las indicaciones en tema de instalación, uso y mantenimiento del aparato.**



## GARANTÍA

La nueva instrumentación está cubierta por una garantía.  
Recurrir al distribuidor.



**El fabricante no responde por las posibles inexactitudes, imputables a errores de imprenta o de transcripción, contenidas en este manual. Se reserva el derecho de poder aportar a los propios productos aquellas modificaciones que considere necesarias o útiles, sin perjudicar las características esenciales de funcionalidad y de seguridad.**

# O

## INSTRUCCIONES DE MONTAJE (fig. O)

### Fase 1

- Sacar las rejillas metálicas de su lugar.

### Fase 2

- Sacar el fondo de acero inoxidable desenroscando los 4 tornillos autorroscantes (A).

### Fase 3

- Introducir por debajo el grupo que se tiene que empotrar en el mueble y fijarlo con 10 tornillos autorroscantes para madera (B) que se suministran para los agujeros existentes.

### Fase 4

- Efectuar la conexión eléctrica tras haber desconectado la alimentación eléctrica.
- Volver a montarlo todo siguiendo el procedimiento inverso al descrito en las fases 1-2.





