

ASSEMBLY INSTRUCTION  
COASTER FINE FURNITURE



ASSEMBLY INSTRUCTION

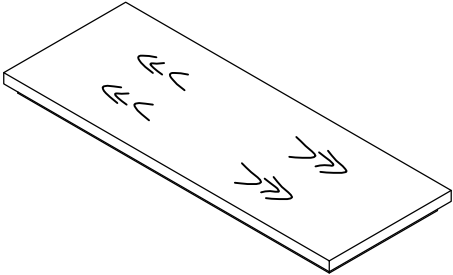
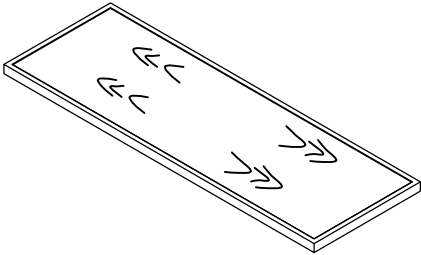
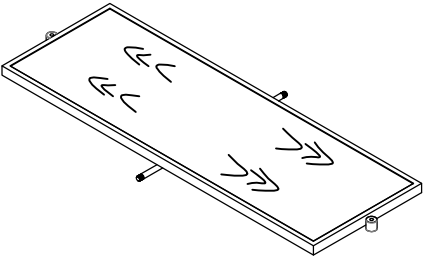

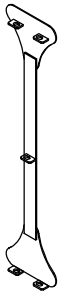



ASSEMBLY TIPS:




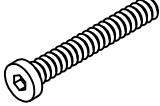

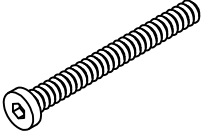


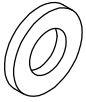
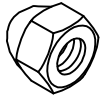

- 1、 Remove hardware from box and sort by size.
- 2、 Please check to see that all hardware and parts are present prior start of assembly.
- 3、 Please follow attached instructions in the same sequence as numbered to assure fast & easy assembly.

▲ Warning!

- 1、 Don't attempt to repair or modify parts that are broken or defective. Please contact the store immediately.
- 2、 This product is for home use only and not intended for commercial establishment.

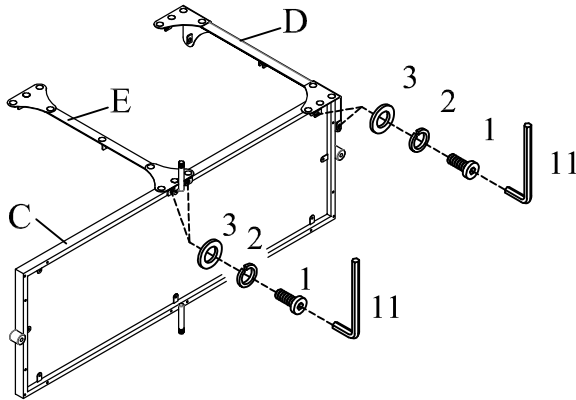
PARTS IDENTIFICATION

<p>A</p>  <p>1PC</p> <p>TABLE TOP</p>	<p>B</p>  <p>1PC</p> <p>MIDDLE SHELF</p>
<p>C</p>  <p>1PC</p> <p>BOTTOM SHELF</p>	<p>D</p>  <p>4PCS</p> <p>SIDE LEG</p>
<p>E</p>  <p>2PCS</p> <p>MIDDLE LEG</p>	<p>F</p>  <p>2PCS</p> <p>LARGE WHEEL</p>
<p>G</p>  <p>2PCS</p> <p>SMALL WHEEL</p>	<p>H</p>  <p>2PCS</p> <p>WHEEL BASE</p>

Z	<b>HARDWARE PACKAGE</b>		
NO.	DESCRIPTION	FIGURE	Q'TY
1		SHORT BOLT Ø1/4"x5/8"	34PCS
2		LOCK WASHER Ø 1/4" DAL	34PCS
3		SMALL METAL WASHER Ø1/4"	34PCS
4		LONG BOLT Ø 3/8"x2"	2PCS
5		SMALL PLASTIC WASHER Ø3/8"x1/16"	4PCS
6		LONG BOLT Ø3/8"x2-1/2"	2PCS
7		NUT Ø3/8"	2PCS
8		LARGE METAL WASHER Ø1 -1/8"x3/8"	2PCS
9		LARGE PLASTIC WASHER Ø1-1/8"x1/8"	2PCS
10		CAP NUT M15	2PCS
11		ALLEN WRENCH	1PC

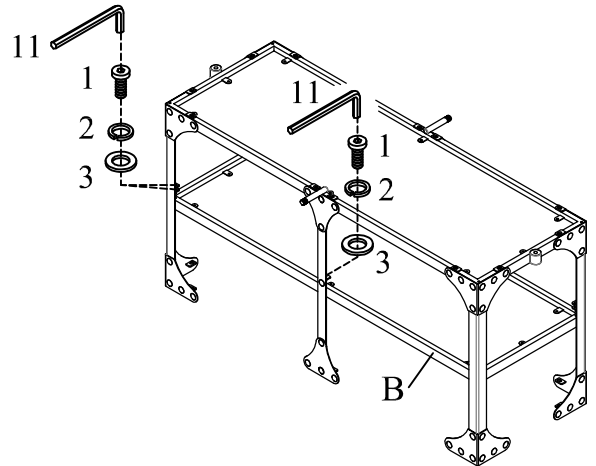
Assembly time 25 minutes. Two people needed.

## STEP 1



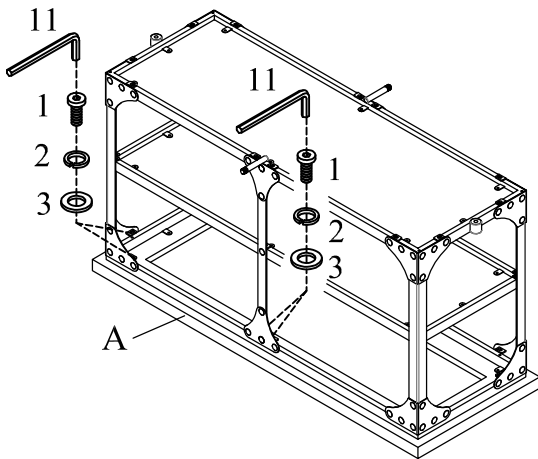
Step 1: Put bottom shelf stand on a flat, soft surface such as a carpet or cloth. Attach legs to shelf with short bolts(1), lock washers(2), and small metal washers(3). Tighten with allen wrench(11).  
 Tips: Do not fully tighten.

## STEP 2



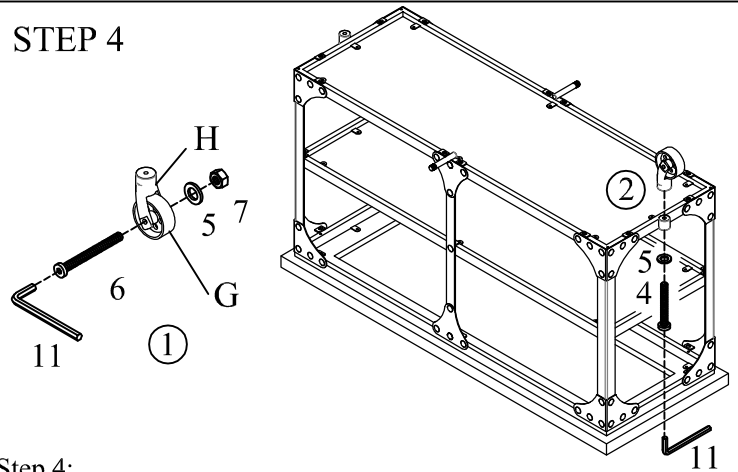
Step 2: Attach middle shelf to legs with short bolts(1), lock washers(2), and small metal washers(3). Tighten with allen wrench(11).  
 Tips: Do not fully tighten.

## STEP 3



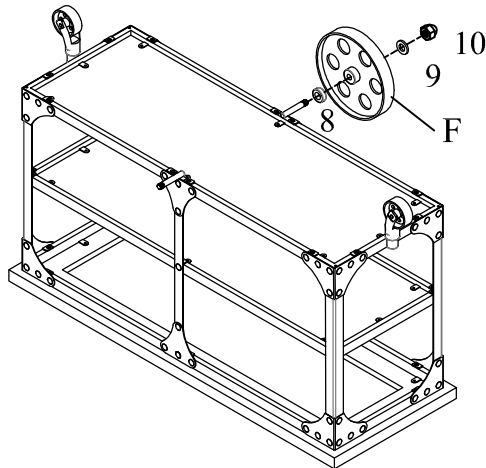
Step 3: Put table top upside down on a flat, soft surface such as a carpet or cloth. Lock the six legs as shown: attach the legs to table top with short bolts(1), lock washers(2), and small metal washers(3). Tighten all bolts with allen wrench(11).  
 Tips: Fully tighten all screws.

## STEP 4



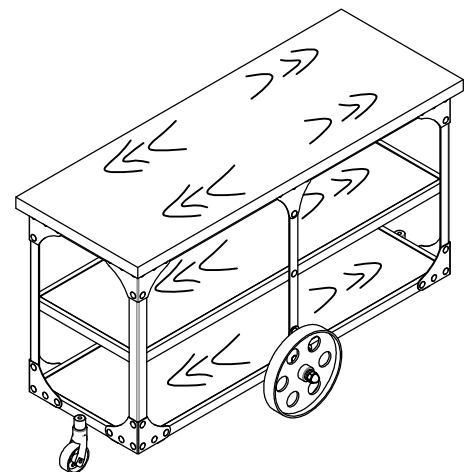
Step 4:  
 ① Lock the small wheel into wheel base with small plastic washers(5), long bolts(6), and nuts(7).  
 ② Attach the wheel base to the metal washer with long bolt(4), small plastic washer(5).  
 Tighten bolts with allen wrench(11).

## STEP 5



Step 5: Lock the large wheel into metal stick with large metal washer(8), large plastic washer(9), and cap nut(10).

## STEP 6



Step 6: Place table right side up. Make sure all bolts are tightened.