

Assembly Instruction

B9520 9521 9529 9539







CAUTION : Edges of some parts may be sharp.
Please handle unassembled parts carefully.



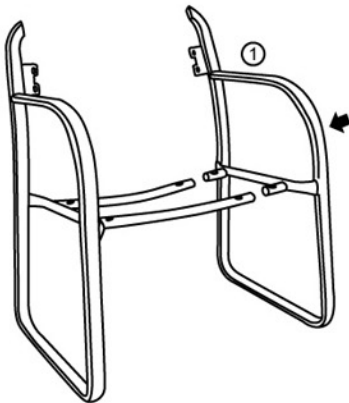
9539



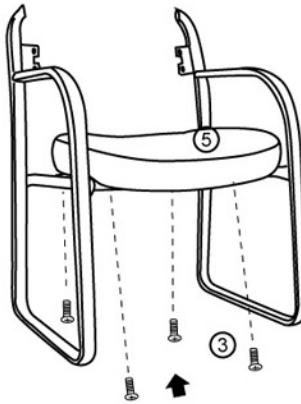
9520 9521 9529

	Parts List	Q' ty
①	 Right Frame & Left Frame	2
②	 Connecting bar BACK FRONT	2
③		4
④		4
⑤	 Seat	1
⑥	 Back	1

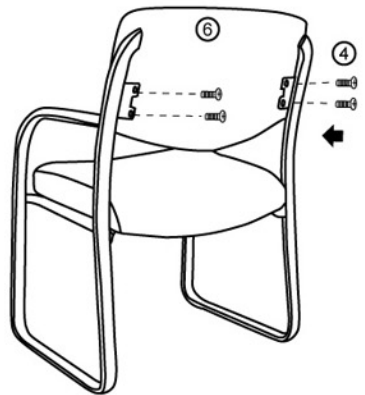
1 Frame & Tube



2 Seat & Frame



3 Back Joint



Please unscrew all hardware from cushion before assembly.

Por favor de destornillar todos los tornillos del cojín antes de ensamblar la silla.

Insert and loosely tighten all screws. When assembly is completed, fully tighten all screws before using. This chair is only intended for sitting. Any other use will void the warranty.

Customer Service Hotline: 1-800-593-1888

**For further assembly instructions,
please visit our website at www.bosschair.com**