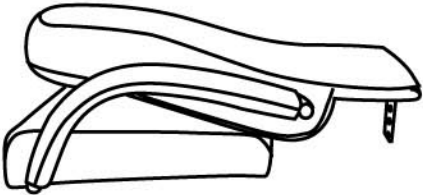

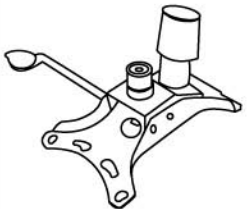
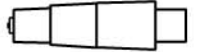





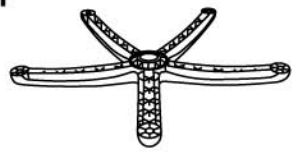


**Please unscrew all hardware from cushion before assembly.**  
**Por favor de destornillar todos los tornillos del cojín antes de ensamblar la silla.**


MODEL: B9701 B9706 B9701C B9706C

(1)x1		(2)x5	
			
Back & Seat W/ ARMS		Caster	
(3)x1	(4)x1	(5)x1	
			
Mechanism	Gas Lift W/ Cover	5-Star Base	
<b>(A)x4</b>		M8*22	MECHANISM SCREW
<b>(B)x4</b>		M8*30	L-bar Screw
<b>(C)x4</b>		ARM CAP	
<b>(D)x1</b>		ALLEN KEY	

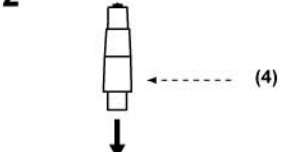
**1**



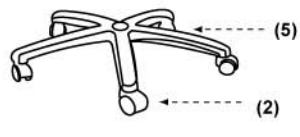
**PUSH IN**  
\*You may use a mallet if necessary.



**2**




(4)



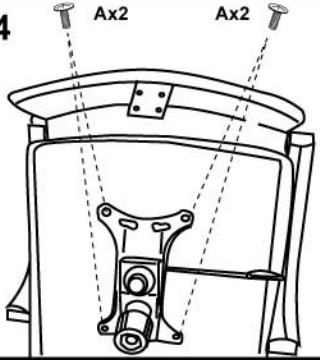
(5)

(2)

**3**



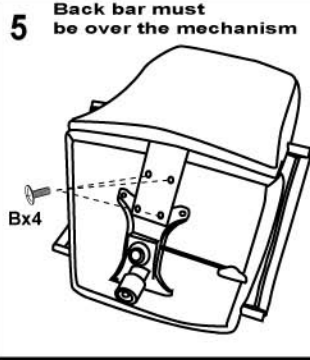
**4**



Ax2 Ax2

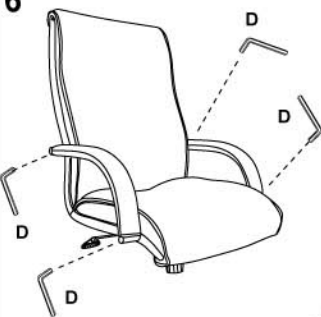
**5**

Back bar must be over the mechanism



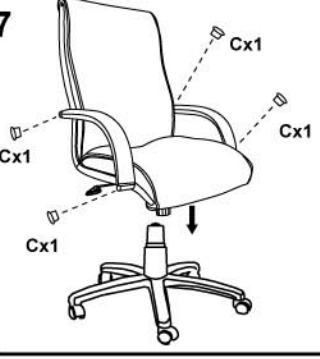
Bx4

**6**



D D D D


**7**



Cx1 Cx1 Cx1

**Note: Please tighten all arm screws using allen key before step 7**

Insert and loosely tighten all screws. When assembly is completed, fully tighten all screws before using. This chair is only intended for sitting. Any other use will void the warranty.



>250LB

**Customer Service Hotline: 1-800-593-1888**  
 For further assembly instructions,  
 please visit our website at [www.bosschair.com](http://www.bosschair.com)