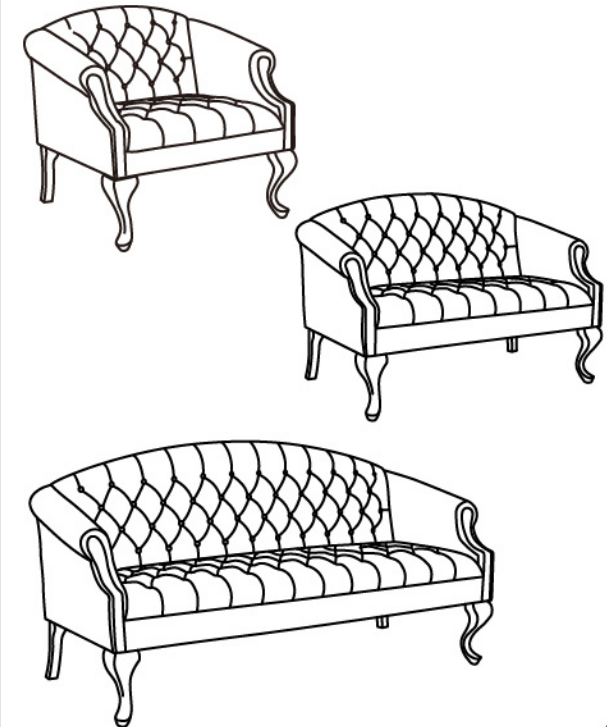
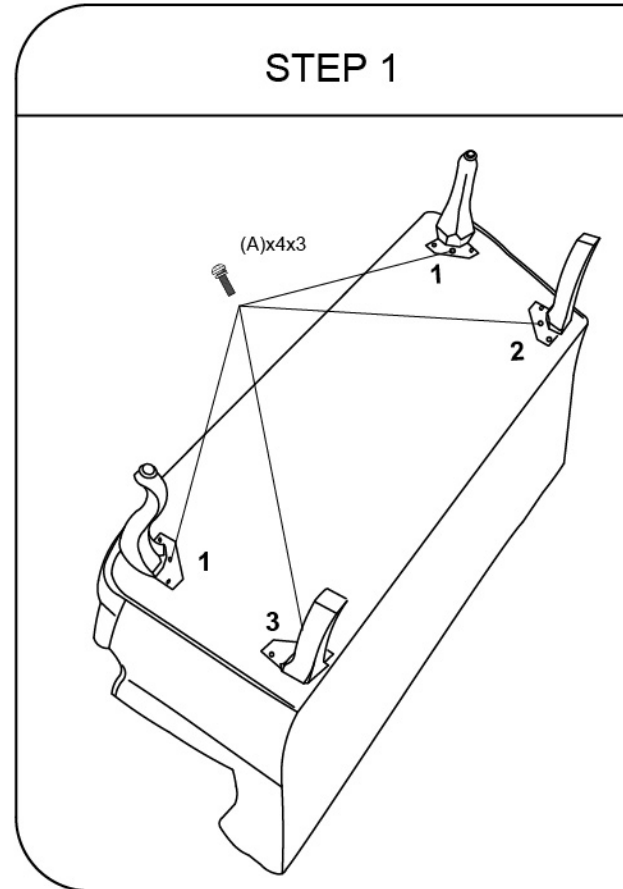
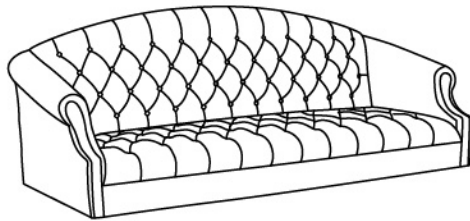


**Please unscrew all hardware from cushion before assembly.**  
**Por favor de destornillar todos los tornillos del cojín antes de assamblar la silla.**

Model: BR99801 BR99802 BR99803

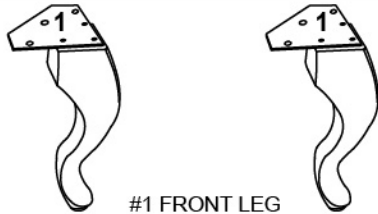
STEP 1

STEP 2



QTY 1

QTY 2

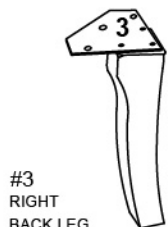


QTY 1

QTY 1



#2  
LEFT  
BACK LEG



#3  
RIGHT  
BACK LEG

(A)\*12



M8\*30 LEG SCREWS

**Insert and loosely tighten all screws. When assembly is completed, fully tighten all screws before using. This chair is only intended for sitting. Any other use will void the warranty.**