

DISHWASHER

RVDW103SS – 24"W. DISHWASHER W/ SS PANEL

RVDW103WSSS – 24"W. DISHWASHER W/ WATER SOFTENER W/ STAINLESS STEEL PANEL



Multi-Level Washing

- Variable pressure washing with three spray arms ensures clean dishes
- Turbidity sensor monitors the soil level of the dishes
- Triple filtration system removes the smallest particles for clean water circulation
- Flow-through water heater is concealed to provide a safer alternative to exposed heaters

Condensate Quick Dry

- Moisture condensates on the cooler stainless steel tank and door and drains to the sump area
- Quick and efficient drying

Quiet Clean™ Performance Package – 48 dB

- Three layers of insulation – bitumen, cotton, and full side walls create one of the quietest dishwashers on the market

Loading

- Accommodates 14 international place settings
- Two position adjustable upper rack allows for taller glasses in upper rack or larger pans in bottom rack
 - Two stemware cradles/cup shelves
 - Adjustable tines
- Lower rack – four rows adjustable tines for easy loading of pans
- One-piece silverware/cutlery basket



24" Wide Dishwasher

Built-In Water Softener (RVDW103WS model)

- Reduces water hardness to a manageable level to prevent glasses and dishes from etching

Cycles/Options

- Cycles
 - **Pots/Pans Plus** – Extra-heavy soil level
 - **Pots/Pans** – Heavy soil level
 - **Regular Wash** – Normal soil level
 - **Daily Wash** – Medium soil level
 - **Quick Wash** – 35 Minutes!
 - **Rinse/Hold** – Pre-rinse dishes clean
- Options
 - **Half Load** – Energy saving function for use with partial loads
 - **Auto Tablet** – Sensor detects rinse aid and automatically sets drying cycle duration
 - **Delay Start** – Allows delayed activation for up to 24 hours
 - **Sanitize Function** – Raises water temperature in final rinse to meet NSF requirements
- LCD screen with remaining time indicator
- Cycle run floor indicator light
- Energy Star Qualified

Finishes

- Available with wrapped Stainless Steel Door Panel installed

Warranty Highlights

- One-year full – complete product
- Ninety-day full – cosmetic parts such as glass, painted items, and decorative items
- Lifetime limited – tank and inner door
- Five-year limited – electronic controls, racks, motor/pump assemblies and water distribution system

DISHWASHER

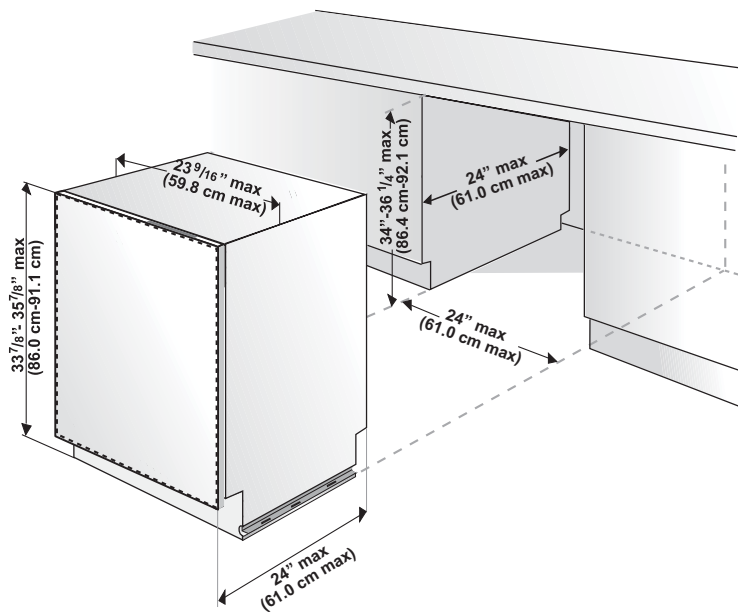
RVDW103SS – 24"W. DISHWASHER

RVDW103WSSS – 24"W. DISHWASHER WITH WATER SOFTENER



24" W. 103 MODEL DISHWASHER	
DESCRIPTION	RVDW103/RVDW103WS
Overall Width	23-9/16" (59.8 cm)
Overall Height from Floor	33-7/8" (86.0 cm) minimum to 35 7/8" (91.1 cm) maximum
Overall Depth	To front of door panel: 22 3/16" (56.4 cm)
Cutout Width	24" (61.0 cm)
Cutout Height	34" (86.4 cm) minimum to 36" (91.4 cm) maximum
Cutout Depth	24" (61.0 cm)
Electrical Requirements	12.0 amps, 115V/60Hz; 4" (120cm) electrical cord with supplied with unit
Water-Heating Element Rating	1240 watts
Inlet Water Temperature	120°F (49°C) required
Drain Hose	6.4' (1.9m) drain hose provided
Drain Hose High Loop Required	Height from floor – 28" (71.0 cm)
Approximate Shipping Weight	97 lb. (44 kg)

Please do not prepare installation from brochure data only. See installation instructions for important clearance/installation information.



VIKING RANGE, LLC 111 FRONT STREET GREENWOOD, MISSISSIPPI 38930 USA

For detailed product information, model numbers, or to request a quote call 1-888-845-4641 or visit vikingrange.com
 © 2016 Viking Range, LLC | Specifications subject to change without notice.

