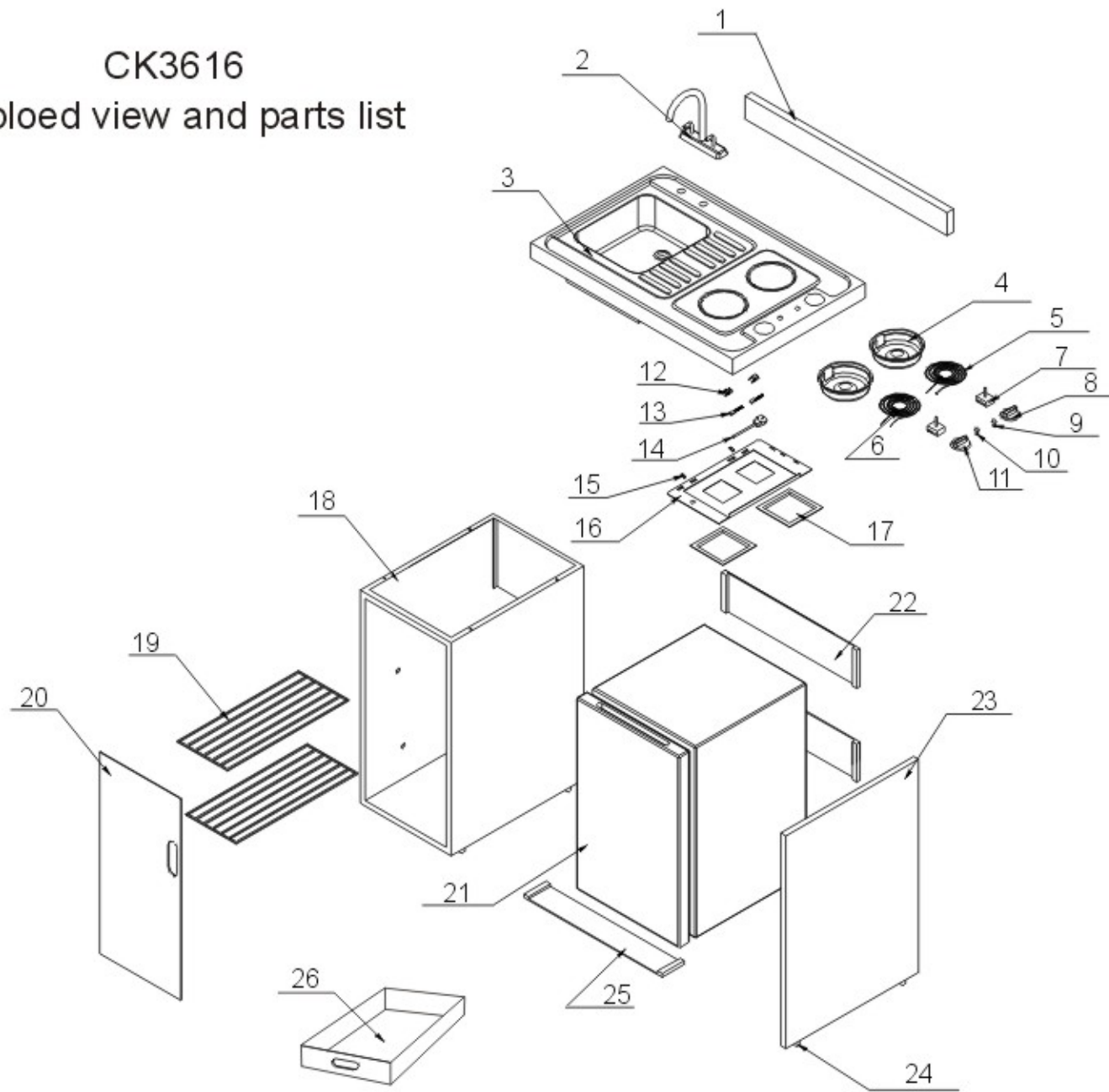


CK3616

exploded view and parts list



| PART NO. | PART NAME |
|----------|--------------------------------|
| 1 | Backsplash |
| 2 | Water Faucet Assembly |
| 3 | Cook-top |
| 4 | Reflector Bowl |
| 5 | Rear Burner 120V/500W |
| 6 | Front Burner 120V/900W |
| 7 | Power Switch |
| 8 | Rear Burner Power Switch Knob |
| 9 | Rear Burner Indicator |
| 10 | Front Burner Indicator |
| 11 | Front Burner Power Switch Knob |
| 12 | Metal Clip |
| 13 | Power Supply Connector |
| 14 | Power Supply Cord For Burners |
| 15 | Cord Clamp |
| 16 | Bottom Plate |
| 17 | Water Drip Tray |
| 18 | Bottom Cabinet |
| 19 | Wire Shelf |
| 20 | Cabinet Door |
| 21 | Refrigerator |
| 22 | Reinforce Plate |
| 23 | Right Plate |
| 24 | Leveling Legs |
| 25 | Bottom Supporter Plate |
| 26 | Drawer |

CK3616 Parts List

| No. | Part CODE | Description | Quantity |
|-----|-----------|--------------------------------|----------|
| 1 | CK3616-01 | Backsplash | 1 |
| 2 | CK3616-02 | Faucet | 1 |
| 3 | CK3616-03 | Cooktop | 1 |
| 4 | CK3616-04 | Reflector bowl | 2 |
| 5 | CK3616-05 | Rear burner (120V/500W) | 1 |
| 6 | CK3616-06 | Front burner (120V/900W) | 1 |
| 7 | CK3616-07 | Power switch | 2 |
| 8 | CK3616-08 | Rear burner power switch knob | 1 |
| 9 | CK3616-09 | Rear burner indicator | 1 |
| 10 | CK3616-10 | Front burner indicator | 1 |
| 11 | CK3616-11 | Front burner power switch knob | 1 |
| 12 | CK3616-12 | Metal clip | 2 |
| 13 | CK3616-13 | Power supply connector | 2 |
| 14 | CK3616-14 | Power supply cord for burners | 1 |
| 15 | CK3616-15 | Cord clamp | 3 |
| 16 | CK3616-16 | Bottom plate | 1 |
| 17 | CK3616-17 | Water drip tray | 2 |
| 18 | CK3616-18 | Bottom cabinet | 1 |
| 19 | CK3616-19 | Wire shelf | 2 |
| 20 | CK3616-20 | Cabinet door | 1 |
| 21 | CK3616-21 | Refrigerator | 1 |
| 22 | CK3616-22 | Refrigerator plate | 2 |
| 23 | CK3616-23 | Right plate | 1 |
| 24 | CK3616-24 | Leveling legs | 6 |
| 25 | CK3616-25 | Bottom supporter plate | 2 |
| 26 | CK3616-26 | Drawer | 1 |