

30" Over-the-Range Microwave

300 Series – Stainless Steel HMV3053U



HMV3053U
Stainless Steel

The precisely designed OTR microwave is a perfect match to the sleek design of the Bosch kitchen.

Features & Benefits

A large cooking interior gives you flexibility to cook various dishes.

A multi-speed vent efficiently removes steam, smoke, grease and odors.

Automatic defrost determines power level and cooking time.

The LCD display features easy-to-read white LED lettering.

The OTR microwave is designed to install with a Bosch slide-in range or cooktop.



General Properties

Cavity color	White
Max. microwave power (W)	1,000 W
Max. extraction rate (CFM)	300 CFM
Ducted	Yes
Ductless	Yes
Duct size	3 1/4" x 10"

Capacity

Cavity capacity (cu. ft.)	1.6 cu. ft.
Turntable diameter (in.)	13 5/8"

Technical Details

Watts (W)	1,550 W
Circuit breaker (A)	15 A
Volts (V)	120 V
Frequency (Hz)	60 Hz
Power cord length (in)	39"
Plug type	120V-3 prong

Dimensions & Weight

Overall appliance dimensions (HxWxD) (in)	16 1/2" x 29 7/8" x 15 3/8"
Required cutout size (HxWxD) (in)	16 1/2" Min x 30" x 12" Min - 12 7/8" Max
Net weight (lbs)	54 lbs

For help and assistance with Bosch accessories please visit: www.bosch-eshop.com/eshop/bosch/us or call 1-800-944-2904 Mon-Fri 5am to 6pm PST Sat 6am to 3pm PST

Notes: All height, width and depth dimensions are shown in inches. BSH reserves the absolute and unrestricted right to change product materials and specifications, at any time, without notice. Consult the product's installation instructions for final dimensional data and other details prior to making cutout. Applicable product warranty can be found in accompanying product literature or you may contact your account manager for further details.

Warranties: Bosch warrants that the Product is free from defects in materials and workmanship for a period of three hundred and sixty-five (365) days from the date of purchase. The foregoing timeline begins to run upon the date of purchase, and shall not be stalled, tolled, extended, or suspended, for any reason whatsoever. This Product is also warranted to be free from cosmetic defects in material and workmanship (such as scratches of stainless steel, paint/porcelain blemishes, chip, dents, or other damage) to the finish of the Product, for a period of thirty (30) days from the date of purchase or closing date for new construction. This cosmetic warranty excludes slight color variations due to inherent differences in painted and porcelain parts, as well as differences caused by kitchen lighting, product location, or other similar factors. This cosmetic warranty specifically excludes any display, floor, "As Is", or "B" stock appliances.

For more information on our entire line of products, go to www.bosch-home.com/us or call 1-800-944-2904

© BSH Home Appliances Corporation. All rights reserved. Bosch is a registered trademark of Robert Bosch GmbH.

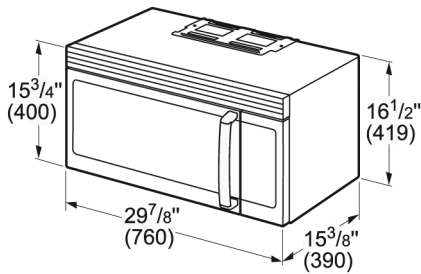
06/16

30" Over-the-Range Microwave

300 Series – Stainless Steel HMV3053U

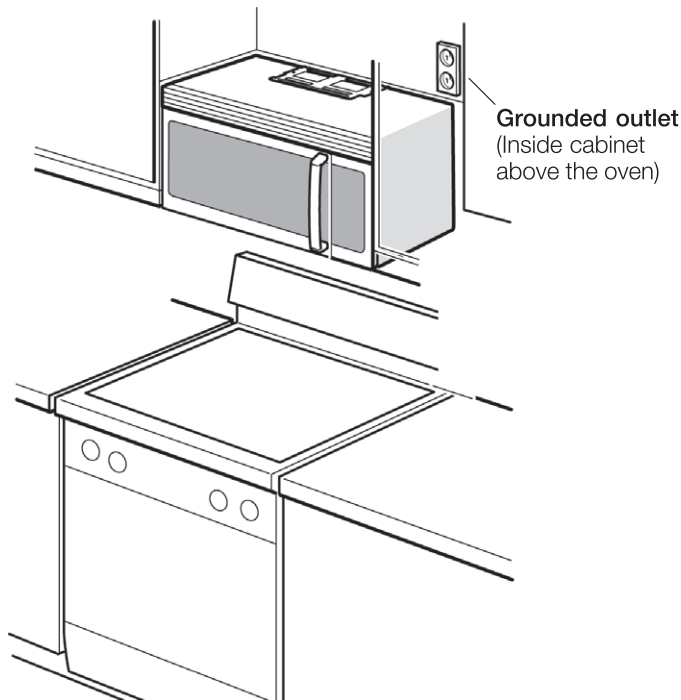


Installation Details

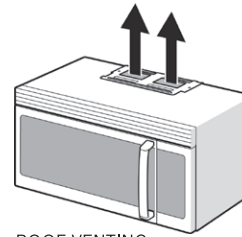


Measurements in inches
(mm) in brackets

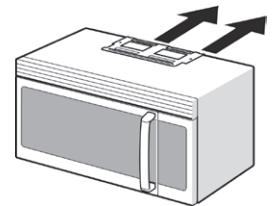
Electrical Connection



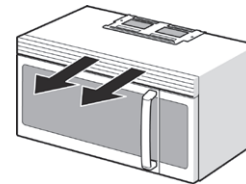
Venting Options



ROOF VENTING

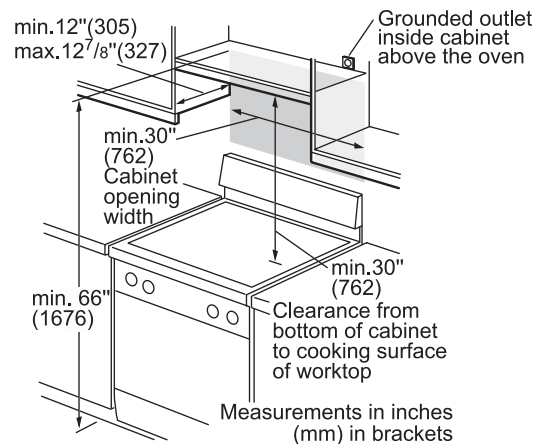


WALL VENTING



ROOM VENTING

Clearance Above Cooktop



For help and assistance with Bosch accessories please visit: www.bosch-eshop.com/eshop/bosch/us or call 1-800-944-2904 Mon-Fri 5am to 6pm PST Sat 6am to 3pm PST

Notes: All height, width and depth dimensions are shown in inches. BSH reserves the absolute and unrestricted right to change product materials and specifications, at any time, without notice. Consult the product's installation instructions for final dimensional data and other details prior to making cutout. Applicable product warranty can be found in accompanying product literature or you may contact your account manager for further details.

Warranties: Bosch warrants that the Product is free from defects in materials and workmanship for a period of three hundred and sixty-five (365) days from the date of purchase. The foregoing timeline begins to run upon the date of purchase, and shall not be stalled, tolled, extended, or suspended, for any reason whatsoever. This Product is also warranted to be free from cosmetic defects in material and workmanship (such as scratches of stainless steel, paint/porcelain blemishes, chip, dents, or other damage) to the finish of the Product, for a period of thirty (30) days from the date of purchase or closing date for new construction. This cosmetic warranty excludes slight color variations due to inherent differences in painted and porcelain parts, as well as differences caused by kitchen lighting, product location, or other similar factors. This cosmetic warranty specifically excludes any display, floor, "As Is", or "B" stock appliances.

For more information on our entire line of products, go to www.bosch-home.com/us or call 1-800-944-2904

© BSH Home Appliances Corporation. All rights reserved. Bosch is a registered trademark of Robert Bosch GmbH.