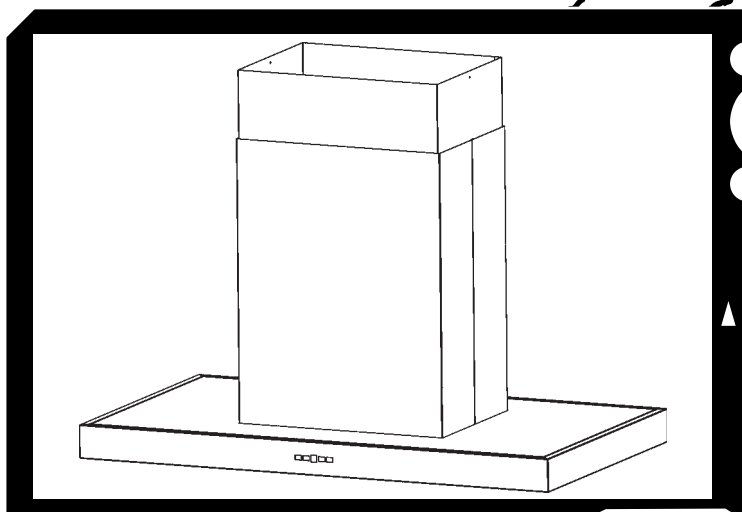


best®



Model IPB9

ENGLISH.....	3
FRANÇAIS.....	21
ESPAÑOL.....	41

In USA - BEST Hartford, Wisconsin

In CANADA - BEST Drummondville, QC, Canada

REGISTER YOUR PRODUCT ONLINE AT : www.BestRangeHoods.com/register
For additional Information visit www.BestRangeHoods.com

READ AND SAVE THESE INSTRUCTIONS

⚠ INTENDED FOR DOMESTIC COOKING ONLY ⚠

⚡ ⚠ WARNING

TO REDUCE THE RISK OF FIRE, ELECTRIC SHOCK, OR INJURY TO PERSONS, OBSERVE THE FOLLOWING:

1. Use this unit only in the manner intended by the manufacturer. If you have questions, contact the manufacturer at the address or telephone number listed in the warranty.
2. Before servicing or cleaning unit, switch power off at service panel and lock service panel to prevent power from being switched on accidentally. When the service disconnecting means cannot be locked, securely fasten a prominent warning device, such as a tag, to the service panel.
3. Installation work and electrical wiring must be done by a qualified person(s) in accordance with all applicable codes and standards, including fire-rated construction codes and standards.
4. Sufficient air is needed for proper combustion and exhausting of gases through the flue (chimney) of fuel burning equipment to prevent backdrafting. Follow the heating equipment manufacturer's guidelines and safety standards such as those published by the National Fire Protection Association (NFPA), and the American Society for Heating, Refrigeration and Air Conditioning Engineers (ASHRAE), and the local code authorities.
5. When cutting or drilling into wall or ceiling, do not damage electrical wiring and other hidden utilities.
6. Ducted fans must always be vented to the outdoors.
7. Do not use this unit with any separate solid-state speed control device.
8. To reduce the risk of fire, use only steel ductwork.

GROUNDING INSTRUCTIONS

This appliance must be grounded. In the event of an electrical short circuit, grounding reduces the risk of electrical shock by providing an escape wire for the electric current.

WARNING - Improper grounding can result in a risk of electric shock.

Consult a qualified electrician if the grounding instructions are not completely understood, or if doubt exists as to whether the appliance is properly grounded.

TO REDUCE THE RISK OF A RANGE TOP GREASE FIRE:

- A. Never leave surface units unattended at high settings. Boilovers cause smoking and greasy spillovers that may ignite. Heat oils slowly on low or medium settings.
- B. Always turn hood ON when cooking at high heat or when flambeing food (i.e. Crepes Suzette, Cherries Jubilee, Peppercorn Beef Flambe').
- C. Clean ventilating fans frequently. Grease should not be allowed to accumulate on fan or filter.
- D. Use proper pan size. Always use cookware appropriate for the size of the surface element.

WARNING

TO REDUCE THE RISK OF INJURY TO PERSONS IN THE EVENT OF A RANGE TOP GREASE FIRE, OBSERVE THE FOLLOWING:*

1. **SMOTHER FLAMES** with a close-fitting lid, cookie sheet, or metal tray, then turn off the burner. **BE CAREFUL TO PREVENT BURNS.** If the flames do not go out immediately, **EVACUATE AND CALL THE FIRE DEPARTMENT.**
2. **NEVER PICK UP A FLAMING PAN** - You may be burned.
3. **DO NOT USE WATER**, including wet dishcloths or towels - violent steam explosion will result.
4. Use an extinguisher **ONLY** if:
 - A. You know you have a Class ABC extinguisher and you already know how to operate it.
 - B. The fire is small and contained in the area where it started.
 - C. The fire department is being called.
 - D. You can fight the fire with your back to an exit.

* Based on "Kitchen Fire Safety Tips" published by NFPA.

CAUTION

1. For indoor use only.
2. To reduce risk of fire and to properly exhaust air, be sure to duct air outside. Do not vent exhaust air into spaces within walls or ceilings or into attics, crawl spaces, or garages.
3. Take care when using cleaning agents or detergents.
4. Avoid using food products that produce flames under the Range Hood.
5. For general ventilating use only. Do not use to exhaust hazardous or explosive materials and vapors.
6. To avoid motor bearing damage and noisy and/or unbalanced impellers, keep drywall spray, construction dust, etc. off power unit.
7. Your hood motor has a thermal overload which will automatically shut off the motor if it becomes overheated. The motor will restart when it cools down. If the motor continues to shut off and restart, have the hood serviced.
8. For best capture of cooking impurities, the bottom of the hood should be a minimum of 24" and a maximum of 36" above the cooking surface.
9. Two installers are recommended because of the large size and weight of this hood.
10. This product is equipped with a thermostat which may start blower automatically. To reduce the risk of injury and to prevent power from being switched on accidentally, switch power off at service panel and lock or tag service panel.
11. Please read specification label on product for further information and requirements.
12. **EXTERNAL BLOWER MODELS ONLY:** To reduce risk of fire and electric shock, install this range hood only with Best Exterior Blower Models EB6, EB9, EB12 or EB15 or Best In-Line Blower Models ILB3, ILB6, ILB9 or ILB11. Other blowers cannot be substituted. (Blower sold separately)

CLEANING AND MAINTENANCE

Proper maintenance of the Range Hood will assure proper performance of the unit.

Motor

The motor is permanently lubricated and never needs oiling. If the motor bearings make excessive or unusual noise, replace the motor with the exact service motor. The impeller should also be replaced.

Grease Filter

The grease filters should be cleaned frequently. Use a warm detergent solution. Grease filter are dishwasher safe.

Clean all-metal filters in the dishwasher using a non-phosphate detergent. Discoloration of the filter may occur if using phosphate detergents, or as a result of local water conditions - but this will not affect filter performance. This discoloration is not covered by the warranty. See "INSTALL FILTERS" section for removal and installation instructions.

Stainless Steel Cleaning

DO:

- Regularly wash with clean cloth or rag soaked with warm water and mild soap or liquid dish detergent.
- Always clean in the direction of original polish lines.
- Always rinse well with clear water (2 or 3 times) after cleaning. Wipe dry completely.
- You may also use a specialized household stainless steel cleaner.

DON'T:

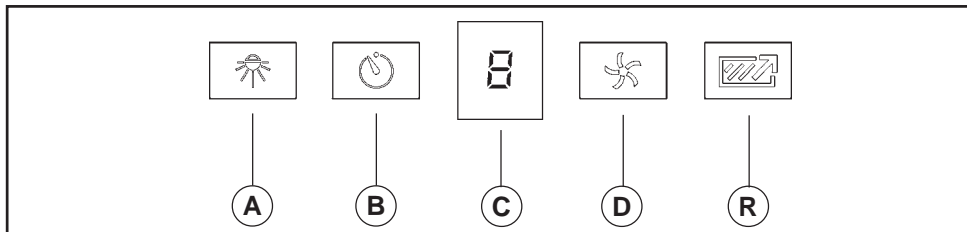
- Use any steel or stainless steel wool or any other scrapers to remove stubborn dirt.
- Use any harsh or abrasive cleansers.
- Allow dirt to accumulate.
- Let plaster dust or any other construction residues reach the hood. During construction/renovation, cover the range hood to make sure no dust sticks to the stainless steel surface.

Avoid: When choosing a detergent

- Any cleaners that contain bleach will attack stainless steel
- Any products containing: chloride, fluoride, iodide, bromide will deteriorate surfaces rapidly.
- Any combustible products used for cleaning such as acetone, alcohol, ether, benzol, etc., are highly explosive and should never be used close to a range.

OPERATION

Controls (Fig.1)



Button A = turns the lights on/low/high/off.

Button B = Activates/Deactivates the delay-off feature. Press once (when blower is on) to activate the delay-off feature. The selected speed level that is displayed in display "C" will blink when this feature is activated. After 10 minutes, the blower will then turn off. Delay can be deactivated at any time by pressing the button again.

Display C = Indicates the selected speed of the blower 1, 2, 3, or b for boost. "." indicates the need to clean the grease filter.

Button D = Turns on the blower. Hood will turn on to the last speed selected. The blower speed will change each time the button is pushed (from 1 to "b"). To turn the blower off, press and hold button for approximately 2 seconds.

Button R = Filter clean indicator reset. Press and hold for 2 seconds to reset the indicator.

HEAT SENTRY™

Your hood is equipped with a HEAT SENTRY™ thermostat. This thermostat is a device that will turn on or speed up the blower if it senses excessive heat above the cooking surface.

1) If blower is OFF - it turns blower ON to HIGH speed.

2) If blower is ON at a lower speed setting - it turns blower up to HIGH speed.

When the temperature level drops to normal, the blower will return to its original setting.

WARNING

The HEAT SENTRY thermostat can start the blower even if the hood is turned OFF. When this occurs, it is impossible to turn the blower OFF with its switch. If you must stop the blower, do it from the main electrical panel.

REMOTE CONTROL:

An optional ACR Series remote control (purchase separately) can be used to operated the range hood.

HALOGEN BULBS

This range hood requires 4 halogen bulbs (Type T4, 120 Volt, 25 Watt Max, G9 Base).

WARNING: Always switch off the electrical supply before carrying out any operation on the appliance.

To change bulbs:

1. Open the cover by gently prying from proper slots (Fig.2).

2. Remove the bulb by pulling sideways (DO NOT ROTATE).

CAUTION: Bulb may be hot.

3. Replace with Type T4, 120 Volt, 25 Watt Max, G9 Base halogen bulbs. Do not touch replacement bulbs with bare hands!

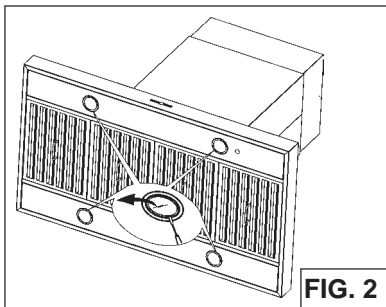


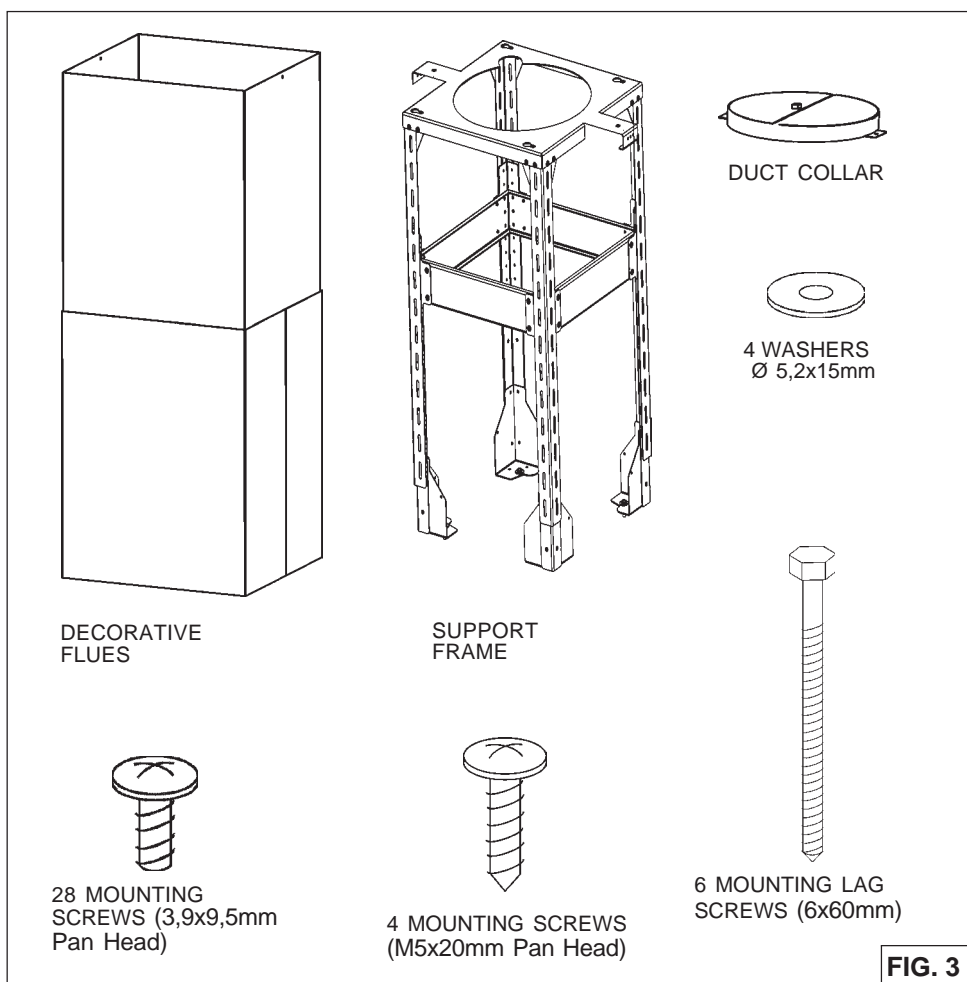
FIG. 2

PREPARE THE HOOD

Unpack hood and check contents.

You should receive:

- 1 - Hood
- 1 - Decorative Flues
- 1 - Support Frame
- 1 - Parts Bag (B080811011) containing:
 - 28 - Mounting Screws (3,9 x 9,5mm Pan Head)
 - 6 - Mounting Lag Screws (6 x 60mm)
 - 4 - Mounting Screws (M5 x 20mm Pan Head)
 - 4 - Washers \varnothing 5,2x15mm
 - 1 - Duct Collar
- 1 - Installation Instructions



EXTERIOR AND IN-LINE BLOWER SELECTION IPB9E Series

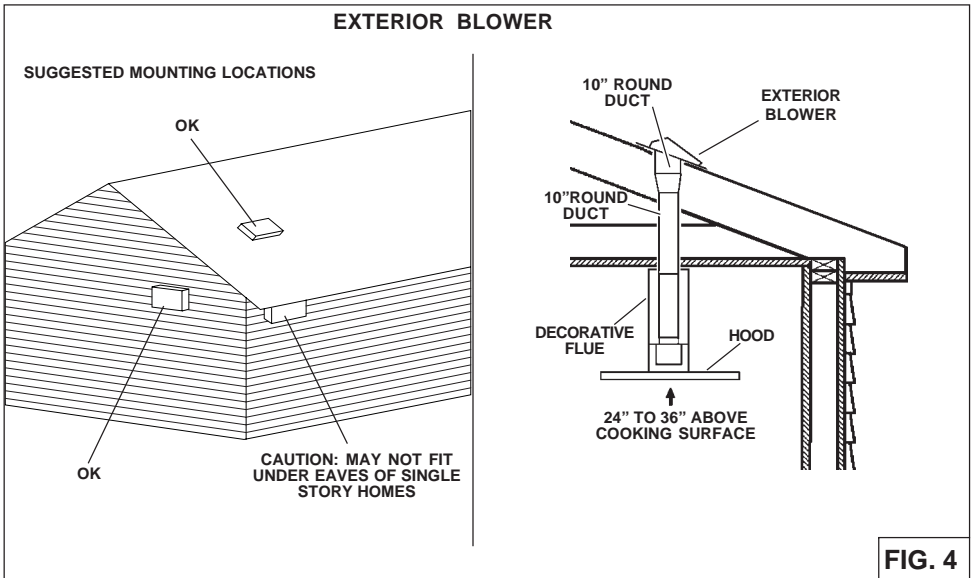
CAUTION: To reduce risk of fire and electric shock, install this range hood only with Best Exterior Blower Models EB6, EB9, EB12 or EB15, and Best In-Line Blower Models ILB3, ILB6, ILB9 or ILB11. Other blowers cannot be substituted.

The blower must be **UL** listed for Canadian and U.S. use, and evaluated for use with solid state speed control, rated 120V, 60 Hz, 6.0 A max.

INSTALL THE DUCTWORK IPB9E Series

NOTE: To reduce the risk of fire, use only metal ductwork.

1. Choose the location where the Exterior Blower or In-Line Blower will be mounted. See illustrations below for mounting location suggestions and restrictions.
2. A straight, short duct run will allow the hood to perform most efficiently.
3. Long duct runs, elbows and transitions will reduce the performance of the hood. Use as few of them as possible. Larger ducting may be required for best performance with long duct runs.
4. After the Exterior or In-Line Blower has been installed, connect round metal ductwork and work back towards the hood location. Use duct tape to seal joints between ductwork sections.



IN-LINE BLOWER

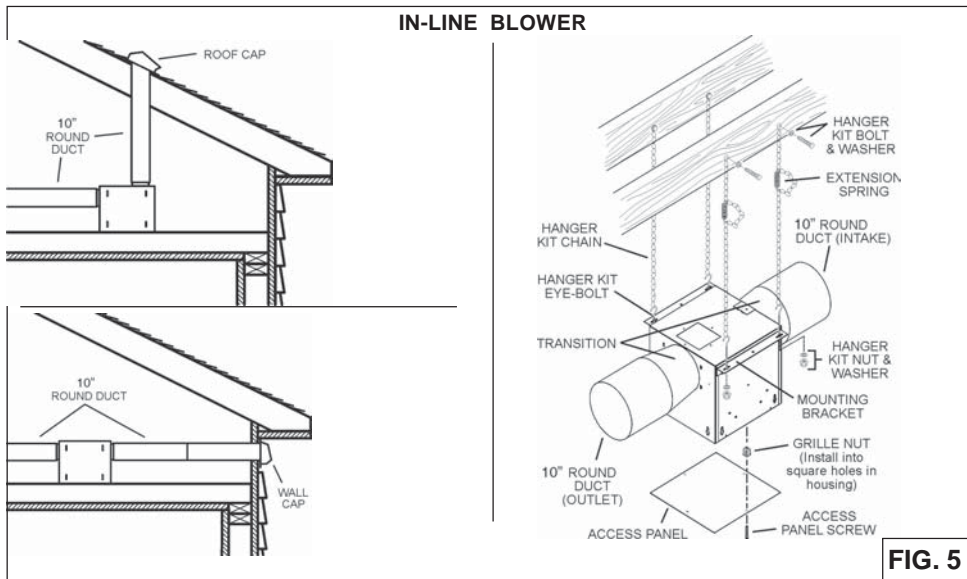
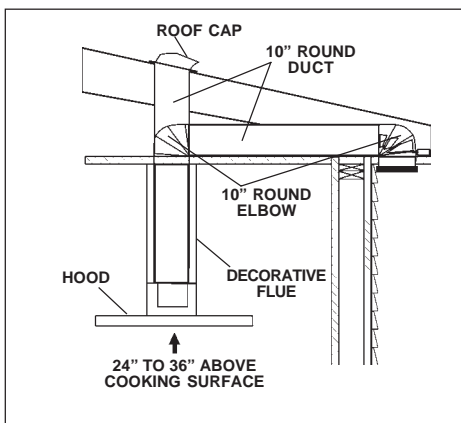


FIG. 5

INSTALL THE DUCTWORK IPB9IQ Series

WARNING: To reduce the risk of fire, use only metal ductwork.

1. Decide where the ductwork will run between the hood and the outside.
2. A straight, short duct run will allow the hood to perform most efficiently.
3. Long duct runs, elbows, and transitions will reduce the performance of the hood. Use as few of them as possible.
4. Install a roof or wall cap. Connect 10" round metal ductwork to cap and work back towards hood location. Use duct tape to seal the joints between ductwork sections.



INSTALL SUPPORT SYSTEM

1. At hood location, install 2 x 4 or larger **cross framing** between **ceiling joists** using dimensions shown.
2. Finish the ceiling surface. Be sure to mark the location of the ceiling joists and cross framing.
3. Adjust the overall height using the chart below of the support frame. Loosen and re-tighten the 4 screws in the **height adjustment slots** as necessary. Insert 12 screws (3.9x9.5mm) located in the Hardware Package (Fig.6) make sure this a 4" min. overlap between the upper and lower support legs.
4. Secure the support frame to joists and cross framing with six (6) screws provided (6x70mm). Make sure screws are driven into center of joists and framing for maximum strength.

Notes:

- a. " " = Mounting height is not possible.
- b. Minimum hood distance above cook top must not be less than 24". A maximum of 36" above cook top is highly recommended for best capture of cooking impurities. Distances over 36" are at the installer and the users discretion; and if ceiling height and flue length permit.
- c. Requires optional 10 / 11' flue extension, ducted model AEIPB9SB.

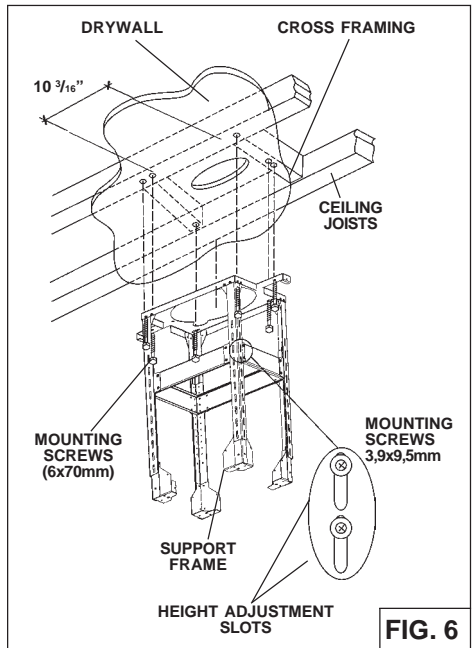


FIG. 6

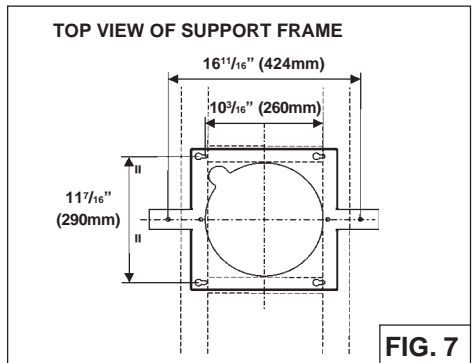
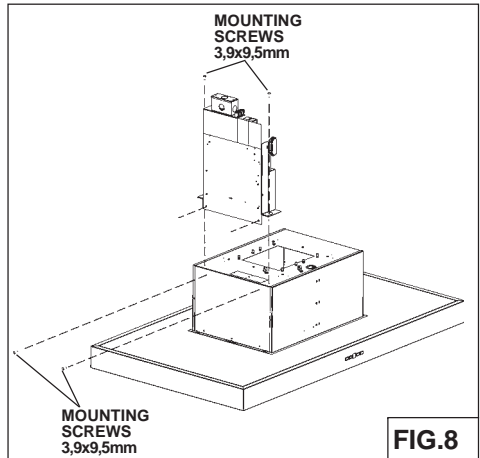


FIG. 7

Ceiling Height	Hood Distance Above 36" High Cook Top (in.)												
	24	25	26	27	28	29	30	31	32	33	34	35	36
	Assembled Support Frame Height (in.)												
8 Feet	23 3/8"	22 3/8"	22 3/4"	-	-	-	-	-	-	-	-	-	-
9 Feet	-	-	34 3/8"	33 3/8"	32 3/8"	31 3/8"	30 3/8"	29 3/8"	28 3/8"	27 3/8"	26 3/8"	25 3/8"	24 3/8"
10 Feet (see note c)	47 3/8"	46 3/8"	45 3/8"	44 3/8"	43 3/8"	42 3/8"	41 3/8"	40 3/8"	39 3/8"	38 3/8"	37 3/8"	36 3/8"	-
11 Feet (see note c)	-	58 3/8"	57 3/8"	56 3/8"	55 3/8"	54 3/8"	53 3/8"	52 3/8"	51 3/8"	50 3/8"	49 3/8"	48 3/8"	47 3/8"

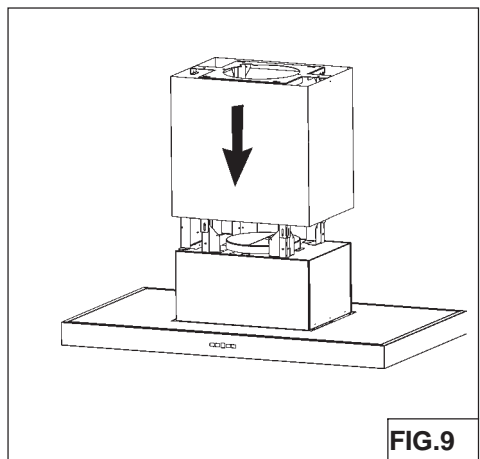
5. Fix the electrical plate with 4 screws (3.9x9.5mm) to the hood, the screws are located in the Hardware Package (Fig. 8)



CONNECT DECORATIVE FLUE DUCTED INSTALLATION ONLY

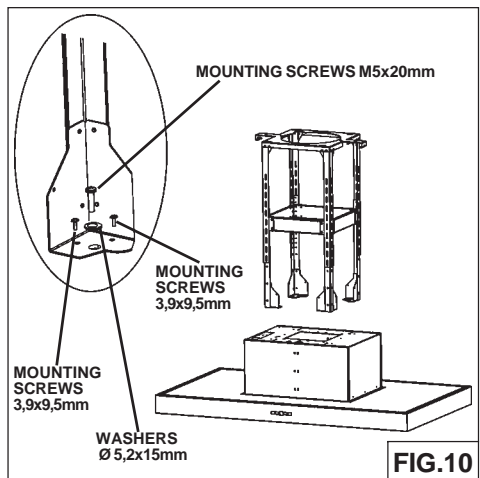
Note: Rooms with 10 or 11 foot ceilings require flue extension model AEIPB9SB, available from your local dealer. Discard the upper flue supplied with the range hood and replace it with the longer flue extension.

1. Insert the **upper flue** in the support frame (Fig. 9).
2. Mount the hood to the ceiling using the (4) previously installed 6x70mm screws. Tighten these screws. Install (2) additional 6x70mm screws as shown in the illustration. Make sure all (6) screws are secure.
3. Secure the hood to the ceiling and install the (2) additional screws (6x70mm).



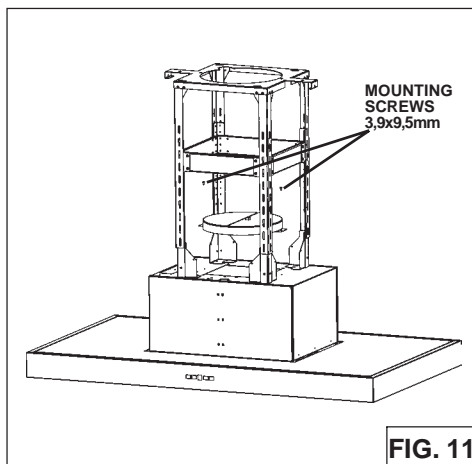
INSTALL SUPPORT SYSTEM

1. Adjust the overall height of the support frame. Loosen and re-tighten the 4 screws in the **height adjustment slots** as necessary. Insert 8 screws (3.9x9.5mm), 4 screws (M5x20mm) and 4 washers (D.5.2x15mm) located in the Hardware Package (Fig. 10).

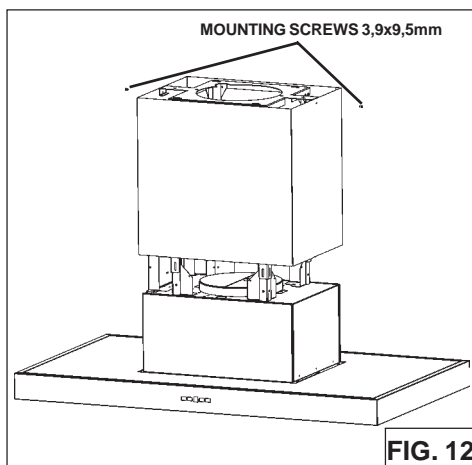


CONNECT DECORATIVE FLUE

1. Fix the duct connector onto the hood using 2 screws (3.9x9.5mm) located in the Hardware Package (Fig.11).



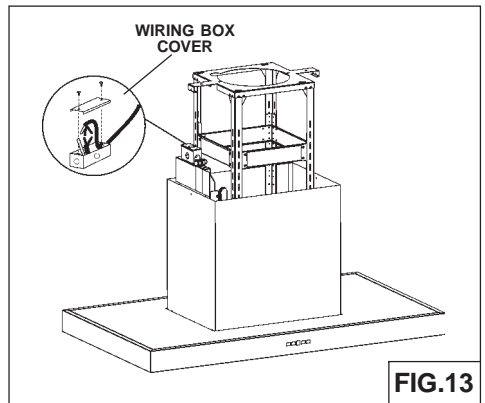
2. Attached the **upper flue** to the upper support frame with the mounting screws 3,9x9,5mm (Fig.12).



WIRING (IPB91QT)

Note: This range hood must be properly grounded. The unit should be installed by a qualified electrician in accordance with all applicable national and local electrical codes.

1. Remove the **wiring box cover**. Remove a knockout from the wiring box (Fig.13).
2. Secure the conduit to the wiring box through a conduit connector.
3. Make electrical connections. Connect white to white, black to black and green to green.
4. Replace wiring box cover and screws. Make sure that wires are not pinched between cover and box.

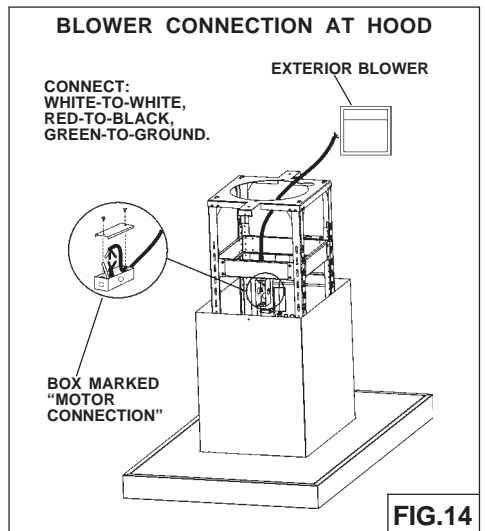


ADDITIONAL EXTERNAL BLOWER WIRING (IPB9E)

1. Run 2-wire plus ground power cable from the exterior blower to the hood's wiring box marked "motor connection" (Fig.14).
2. Remove the cover from the wiring box and remove one knockout.
3. Feed 6" of cable through the knockout opening and secure the cable to the wiring box with an appropriate connector.
4. Make electrical connections at the hood. Connect white-to-white, **red-to-black** and green-to-ground.
5. Replace the wiring box cover and screws. Make sure wires are not pinched between the cover and box.

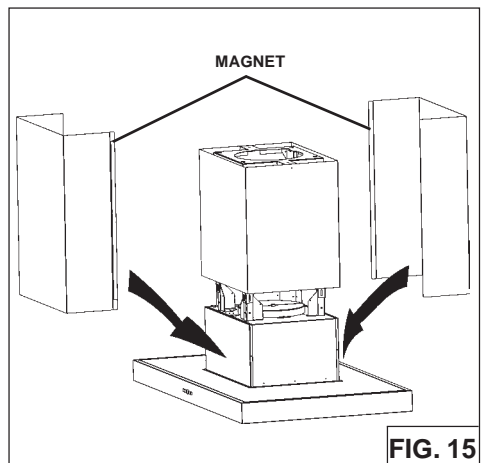
Exterior blower connection:

1. Make electrical connections at the exterior blower (see instructions provided with the exterior blower).



CONNECT DECORATIVE FLUE

1. Attached the **two lower flue** parts to the support frame by overlapping the lateral magnets (Fig.15).



INSTALL FILTERS

DUCTED HOODS

NOTE: Prior to use, remove protective film from the filter frame.

1. To remove the GREASE filter, (Fig. 16) push the filter towards the front so that it clears the filter channel, then pull down on the handle to disengage the filter from the hood. Tilt the filter downward and remove.
2. The grease filters and the drip tray (see page 5 for removal & cleaning instructions) should be cleaned frequently. Use a warm detergent solution. Grease filters and the oil collectors are dishwasher safe.
3. To install the GREASE filter, align rear filter tabs with spring in the hood. Pull down handle, push filter into position and release. Make sure the filter is securely engaged after installation.

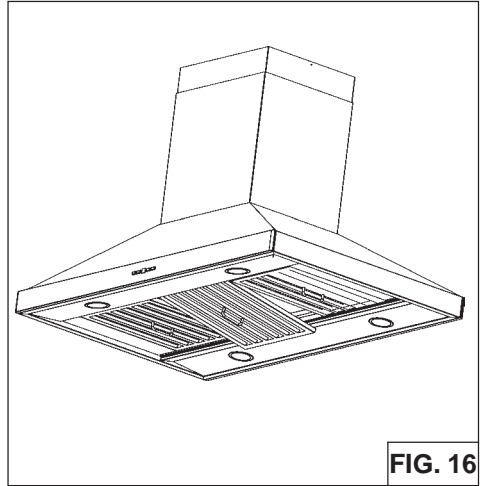


FIG. 16

CALIBRATE IQ BLOWER SYSTEM™

INTERNAL BLOWER DUCTED UNITS ONLY

After the hood is installed and wired, engage the calibration process (our Guaranteed Performance System Technology to ensure full-rated airflow is being delivered). Prior to calibration, ensure that all filters, light bulbs and duct system are installed.

CALIBRATION PROCESS

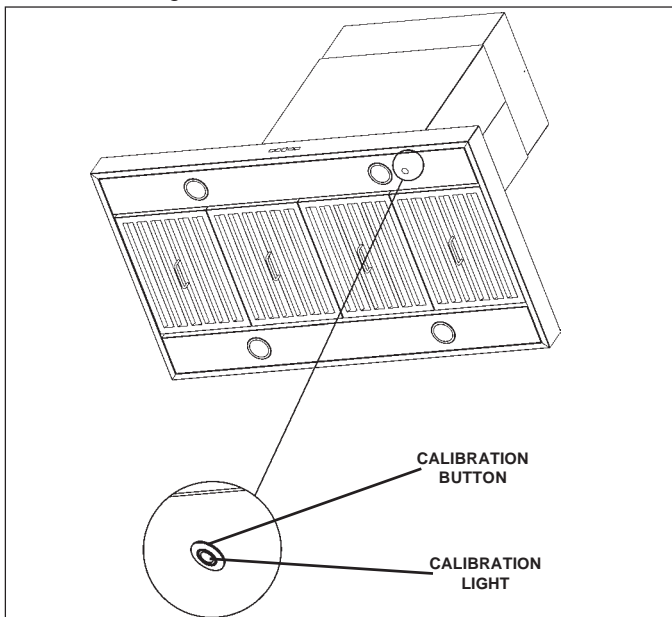
Hold the calibration button for 3 seconds; calibration button will light up and stay on for up to 13 minutes. The blower will start and begin the calibration process. When calibration is complete, one of two things will occur:

1. The blower turns off and calibration button light stays on = Successful calibration. Press the button to turn off the LED. Note: The LED will also turn off if you select any blower speed on the control.
2. The blower turns off and calibration button light blinks continuously = Too much restriction in the ductwork is preventing the IQ Blower System™ from achieving the rated airflow. The blower is automatically set to maximum intensity.

NOTE: Common items that cause restrictions: restricted damper flap (backdraft damper, wall cap, roof cap), too many elbows, duct size less than 80% of hood outlet, poor transition, use of flex ducting and/or crushed ducting.

Three options are available if your hood system has too much restriction:

1. Accept airflow as is.
 - a. Press the calibration button to accept airflow as is. The IQ Blower System™ is now configured to the highest possible performance. The blinking calibration light goes out. Note: The LED will also turn off if you select any blower speed on the control.
2. Correct duct restriction, clear the original calibration data, and repeat the calibration process.
 - a. Correct the duct restriction.
 - b. Clear the original calibration data by holding calibration button for 10 seconds. The light will blink 3 times to confirm and the blower configuration will go back to default settings.
 - c. Repeat calibration process from the beginning.
3. Clear calibration data to reset hood to default factory setting and achieve standard high pressure blower performance.
 - a. Clear calibration data and reset hood to factory default setting by holding calibration button for 10 seconds. The light will blink 3 times to confirm and the blower configuration will go back to default settings.



IPB9E Programming Mode Procedure

IPB9E Programming Mode Procedure

The range hood is designed to work with several different blowers models. Before using the hood, the control must first be programmed to your blower model, in order to achieve proper operating speed:

1. Find the SETUP number that corresponds to the blower model that is installed with your range hood.
2. There must be power to the hood but the blower and lights must be turned off.
3. Push simultaneously LIGHT SWITCH and RESET SWITCH for 5 sec: the display shows a "P" blinking three times and then shows alternately the "P" and the setup selected.
4. Select the desired setup with BLOWER SWITCH (3→2→1) or RESET SWITCH (1→2→3).
5. Push TIMER SWITCH to confirm.
6. The display ("P") blinks two times (2 sec on - 0,5sec off) recording the selected setup.

Description of "Speed Level"

Setup 1 is for motors with a rating up to 3.0 amp

Setup 2 is for motors with a rating between 3.1 amp and 5.0 amp

Setup 3 is for motors with a rating greater than 5.1 to 6 amp

	SETUP 1	SETUP 2	SETUP 3
	EB6	EB12	EB9
	ILB3	EB15	ILB11
	ILB6	ILB9	

WARRANTY

ONE YEAR LIMITED WARRANTY FOR BEST PRODUCTS

Broan-NuTone LLC (Broan-NuTone) warrants to the original consumer purchaser of Best products that such products will be free from defects in materials or workmanship for a period of one year from the date of original purchase. THERE ARE NO OTHER WARRANTIES, EXPRESS OR IMPLIED, INCLUDING, BUT NOT LIMITED TO, IMPLIED WARRANTIES OR MERCHANTABILITY OR FITNESS FOR A PARTICULAR PURPOSE.

During this one-year period, Broan-NuTone will, at its option, repair or replace, without charge, any product or part which is found to be defective under normal use and service.

THIS WARRANTY DOES NOT EXTEND TO FLUORESCENT LAMP STARTERS, TUBES, HALOGEN AND INCANDESCENT BULBS, FUSE, FILTERS, DUCTS, ROOF CAPS, WALL CAPS AND OTHER ACCESSORIES FOR DUCTING. This warranty does not cover (a) normal maintenance and service or (b) any products or parts which have been subject to misuse, negligence, accident, improper maintenance or repair (other than by Broan-NuTone), faulty installation or installation contrary to recommended installation instructions.

The duration of any implied warranty is limited to the one-year period as specified for the express warranty. Some states do not allow limitation on how long an implied warranty lasts, so the above limitation may not apply to you.

BROAN-NUTONE'S OBLIGATION TO REPAIR OR REPLACE, AT BROAN-NUTONE'S OPTION, SHALL BE THE PURCHASER'S SOLE AND EXCLUSIVE REMEDY UNDER THIS WARRANTY. BROAN-NUTONE SHALL NOT BE LIABLE FOR INCIDENTAL, CONSEQUENTIAL OR SPECIAL DAMAGES ARISING OUT OF OR IN CONNECTION WITH PRODUCT USE OR PERFORMANCE. Some states do not allow the exclusion or limitation of incidental or consequential damages, so the above limitation or exclusion may not apply to you.

This warranty gives you specific legal rights, and you may also have other rights, which vary from state to state. This warranty supersedes all prior warranties.

To qualify for warranty service, you must (a) notify Broan-NuTone at the address stated below or telephone number stated below, (b) give the model number and part identification and (c) describe the nature of any defect in the product or part. At the time of requesting warranty service, you must present evidence of the original purchase date.

In USA - Best®, 926 W. State Street, Hartford, WI 53027 (800-558-1711)

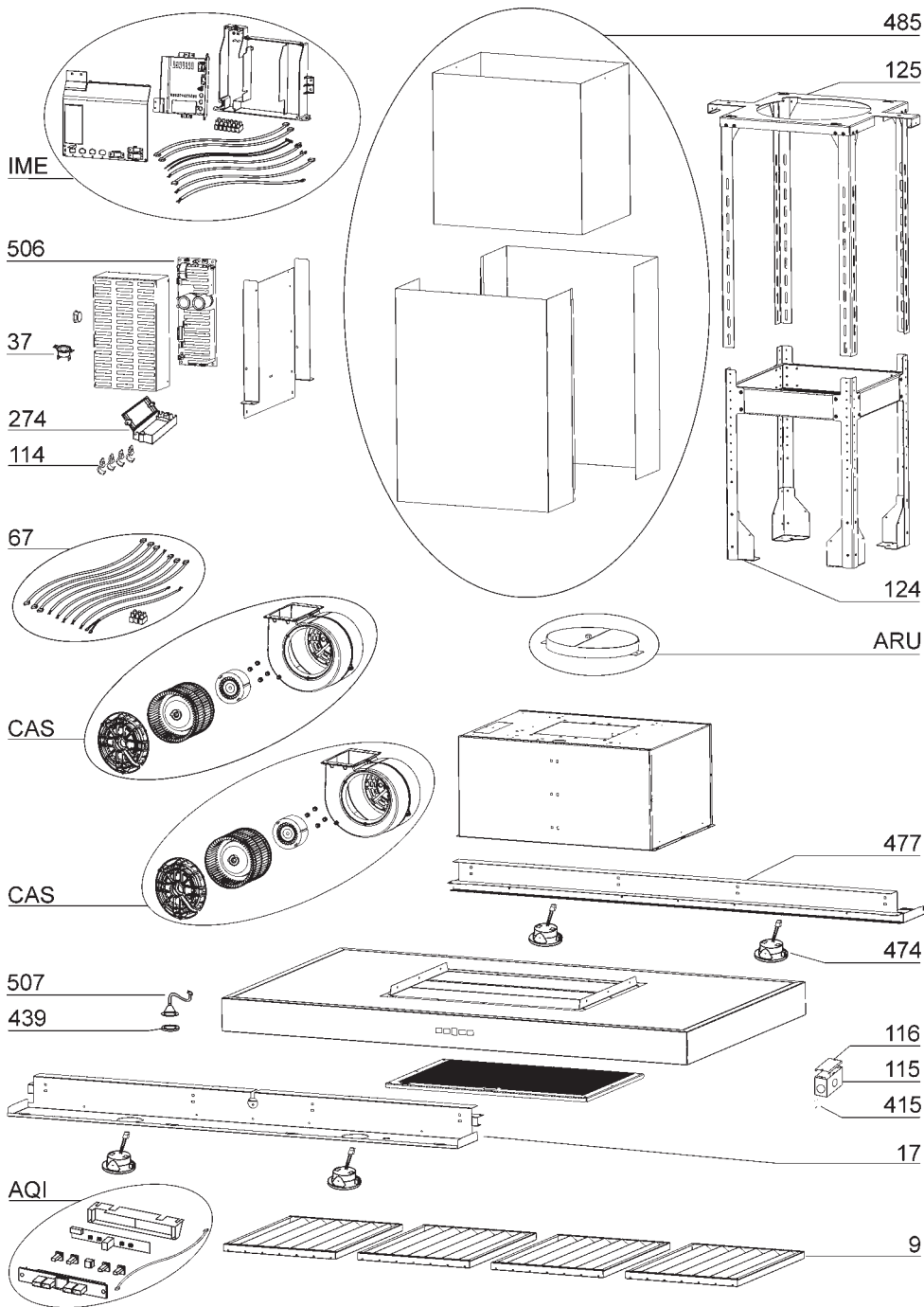
In Canada - Best®, 550 Lemire Blvd., Drummondville, QC J2C 7W9 (866-737-7770)
www.BestRangeHoods.com

SERVICE PARTS

MODEL IPB9IQT

KEY NO.	PART NO.	DESCRIPTION
9	B08087951	Grease Filters
17	BE3351928	Light Diffuser Support
37	B02300804	Heat Sentry
67	B06102611	Wires Assembly
114	B03292499	Runner Wires
115	BE3350233	Wiring Box
116	BE3334252	Wiring Box Cover
124	B08093422	Telescopic Structure Bottom
125	B08093431	Telescopic Structure Top
202	B03292063	Wire Clamp
274	B03295035	Fuse Box
415	B03292596	Fairlead
439	B02320034	Grommet
474	B02300918	Halogen Lamp
477	BE3351945	Light Diffuser Support Back
485	B08016373	Decorative Flue Assembly
506	97019434	BLDC Driver
507	B06102584	Calibration Button Assembly
AQI	B06102596	Switch Box Assembly
ARU	BE3405192	Duct Connector Assembly 10"
IME	B06145225	Electrical Installation Assembly
CAS	B06002259	Blower Assembly
*	B080811011	Fitting Set (Includes Key No. ARU)

* Not shown assembled.

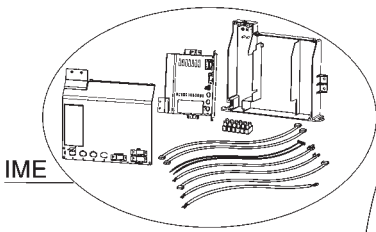


SERVICE PARTS

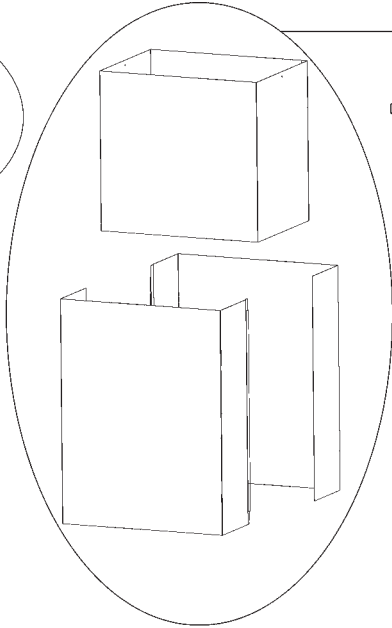
MODEL IPB9E

KEY NO.	PART NO.	DESCRIPTION
9	B08087951	Grease Filters
17	BE3351928	Light Diffuser Support
37	B02300804	Heat Sentry
67	B06102612	Wires Assembly
114	B03292499	Runner Wires
115	BE3350233	Wiring Box
116	BE3334252	Wiring Box Cover
124	B08093422	Telescopic Structure Bottom
125	B08093431	Telescopic Structure Top
202	B03292290	Wire Clamp
274	B03295035	Fuse Box
415	B03292596	Fairlead
474	B02300918	Halogen Lamp
477	BE3351945	Light Diffuser Support Back
485	B08016373	Decorative Flue Assembly
AQI	B06102605	Switch Box Assembly
ARU	BE3405192	Duct Connector Assembly 10"
IME	B06145226	Electrical Installation Assembly
*	B080811011	Fitting Set (Includes Key No. ARU)

* Not shown assembled.

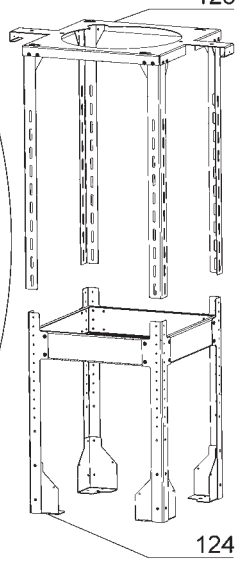


IME



485

125



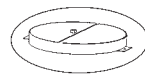
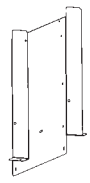
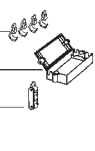
124

37

114

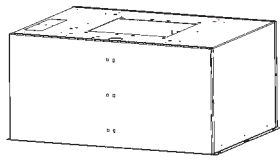
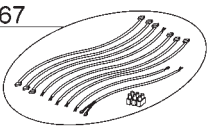
274

202

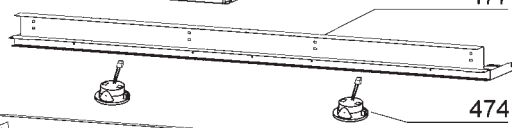


ARU

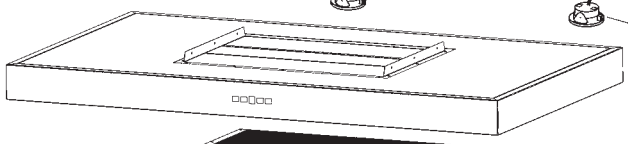
67



477



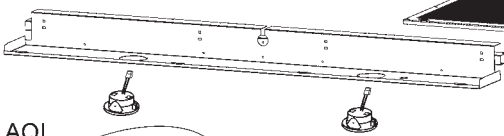
474



116

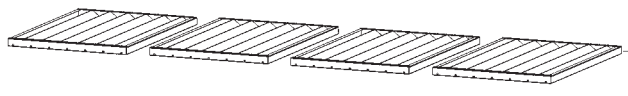
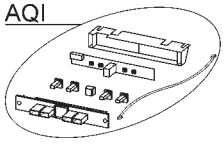
115

415



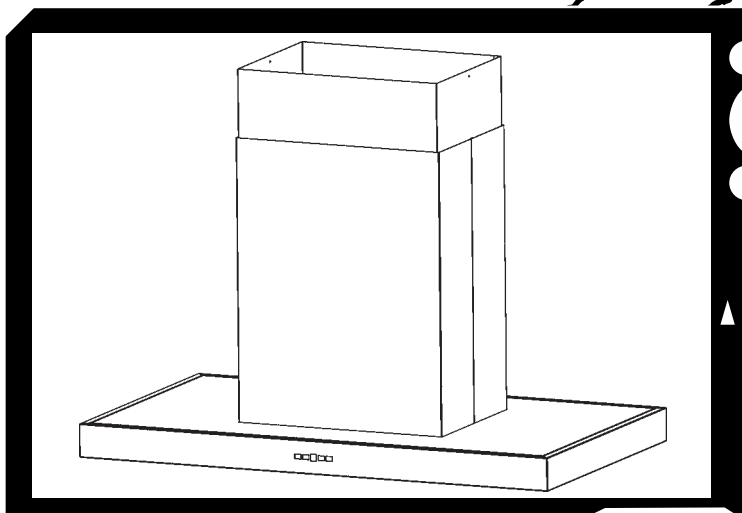
17

AQI



9

best®



Modèle IPB9

ENGLISH.....	3
FRANÇAIS.....	21
ESPAÑOL.....	41

Aux États-Unis - BEST Hartford, Wisconsin
Au CANADA - BEST Drummondville, QC, Canada

ENREGISTREZ VOTRE PRODUIT EN LIGNE À : www.BestRangeHoods.com/register
Pour de plus amples informations, visitez www.BestRangeHoods.com

LIRE CES DIRECTIVES ET LES CONSERVER

 **CONÇUE POUR LES CUISINES PRIVÉES UNIQUEMENT** 

  **AVERTISSEMENTS**

POUR RÉDUIRE LES RISQUES D'INCENDIE, D'ÉLECTROCUTION OU DE BLESSURES PHYSIQUES, RESPECTEZ LES INSTRUCTIONS CI-DESSOUS:

1. Utilisez cet appareil uniquement de la manière prévue par le fabricant. Si vous avez des questions, contactez le fabricant à l'adresse ou au numéro de téléphone indiqués dans la garantie.
2. Avant d'effectuer l'entretien ou le nettoyage de l'appareil, mettez-le hors tension sur le panneau de service et verrouillez ce dernier pour éviter que l'appareil soit mis sous tension par inadvertance. S'il n'est pas possible de verrouiller le dispositif de déconnexion, apposez un avertissement bien visible (par exemple une étiquette) sur le panneau de service.
3. L'installation et le raccordement électrique doivent être effectués par du personnel qualifié conformément à toutes les réglementations et normes en vigueur, y compris celles concernant les constructions cotées pour leur résistance au feu.
4. Afin d'éviter un refoulement lors de l'utilisation d'équipements à combustible, une quantité d'air suffisante est nécessaire pour assurer une combustion et un échappement adéquats des gaz à travers le conduit (la cheminée). Suivez les consignes du fabricant de l'équipement chauffant et les normes de sécurité publiées, entre autres, par l'Association nationale de protection contre l'incendie (NFPA) et l'American Society for Heating, Refrigeration and Air Conditioning Engineers (ASHRAE), ainsi que les réglementations locales.
5. Quand vous effectuez une découpe ou un forage dans un mur ou un plafond, veillez à ne pas endommager des câblages électriques ou d'autres équipements non visibles.
6. Les soufflantes canalisées doivent toujours être dirigées vers l'extérieur.
7. N'utilisez pas cet appareil avec un dispositif de commande de vitesse transistorisée séparé.
8. Pour réduire les risques d'incendie, utilisez uniquement des canalisations en métal.

INSTRUCTIONS DE MISE À LA TERRE

Cet appareil doit être mis à la terre. En cas de court-circuit électrique, la mise à la terre réduit le risque d'électrocution grâce à un fil permettant au courant électrique de s'échapper.

AVERTISSEMENT - Une mise à la terre inappropriée peut donner lieu à un risque d'électrocution.

Consultez un électricien qualifié si vous ne comprenez pas parfaitement les instructions de mise à la terre ou si vous n'êtes pas certain(e) que l'appareil est mis à la terre comme il se doit.

POUR RÉDUIRE LE RISQUE D'UN FEU DE FRITURE SUR LA TABLE DE CUISSON

- A. Ne laissez jamais les appareils de surface sans surveillance quand ils sont sur un réglage élevé. Les débordements peuvent provoquer de la fumée et des déversements gras risquant de prendre feu. Chauffez les huiles lentement sur un réglage bas ou moyen.
- B. **ALLUMEZ** toujours la hotte quand vous cuisinez à une chaleur élevée ou quand vous flambez des aliments (p. ex. des crêpes Suzette, des cerises jubilé ou du boeuf au poivre flambé).
- C. Nettoyez souvent les ventilateurs d'aération. Évitez que de la graisse s'accumule sur le ventilateur ou le filtre.
- D. Utilisez des poêles de la taille appropriée. Utilisez toujours des ustensiles de cuisine adaptés à la taille de l'élément de surface.

AVERTISSEMENTS

POUR RÉDUIRE LE RISQUE DE BLESSURES PHYSIQUES EN CAS DE FEU DE FRITURE SUR LA TABLE DE CUISSON, VEUILLEZ PROCÉDER COMME SUIVANT :*

1. ÉTOUFFEZ LES FLAMMES avec un couvercle hermétique, une plaque à biscuits ou un plateau en métal, puis éteignez le brûleur. SOYEZ PRUDENT(E) AFIN D'ÉVITER LES BRÛLURES. Si les flammes ne s'éteignent pas immédiatement, ÉVACUEZ LE LIEU ET APPELEZ LE SERVICE DES POMPIERS.
 2. NE SAISISSEZ JAMAIS UNE POÊLE ENFLAMMÉE, vous risquez de vous brûler.
 3. N'UTILISEZ JAMAIS D'EAU ni de torchons ou serviettes mouillé(e)s : cela donnerait lieu à une violente explosion de vapeur.
 4. Utilisez un extincteur **UNIQUEMENT** si :
 - A. Vous savez qu'il s'agit d'un extincteur de Classe ABC et savez déjà comment vous en servir.
 - B. L'incendie est de petite taille et confiné à l'endroit où il a commencé.
 - C. Le service des pompiers a été averti.
 - D. Vous pouvez éteindre l'incendie en ayant une sortie derrière vous.
- * Basé sur « Kitchen Fire Safety Tips », publié par la NFPA.

ATTENTION

1. Uniquement pour l'utilisation intérieure.
2. Pour réduire le risque d'incendie et obtenir un échappement d'air adéquat, veillez à bien canaliser l'air vers l'extérieur. Ne ventilez pas l'air d'échappement vers des espaces confinés, des plafonds, des combles, des vides sanitaires ou des garages.
3. Soyez prudent(e) quand vous utilisez des agents de nettoyage ou des détergents.
4. Évitez d'utiliser sous la hotte de cuisine des denrées alimentaires produisant des flammes.
5. À utiliser uniquement pour la ventilation générale. N'utilisez pas la hotte pour l'échappement de matériaux ou de vapeurs comportant un danger ou un risque d'explosion.
6. Pour éviter que le roulement moteur s'endommage et que des hélices deviennent bruyantes ou déséquilibrées, faites en sorte que le bloc d'alimentation n'entre pas en contact avec un atomiseur pour cloisons sèches, de la poussière de construction, etc.
7. Le moteur de la hotte est doté d'un rupteur thermique qui éteint automatiquement le moteur en cas de surchauffe. Le moteur redémarrera après avoir refroidi. Si le moteur s'éteint et se rallume constamment, faites réparer la hotte.
8. Pour mieux capturer les impuretés de cuisson, la partie inférieure de la hotte doit se trouver au minimum à 61 cm (24") et au maximum à 91 cm (36") au-dessus de la surface de cuisson. Consultez la section « Installation du support de montage » pour connaître les restrictions de montage.
9. Étant donné la taille et le poids de la hotte, il est conseillé d'avoir recours à deux personnes pour la monter.
10. Ce produit est doté d'un thermostat qui peut activer la soufflante automatiquement. Pour éviter les risques de blessure et l'allumage accidentel de la hotte, mettez-la hors tension sur le panneau de service et verrouillez ce dernier ou fixez-y une étiquette d'avertissement.
11. Pour en savoir plus et connaître les exigences sur le produit, veuillez lire l'étiquette des spécifications.
12. **MODÈLES VENTILATEUR EXTERNE SEULEMENT**: Pour réduire les risques d'incendie ou de choc électrique, installez cette hotte uniquement avec les modèles de ventilateur extérieur Best EB6, EB9, EB12 ou EB15, ou les modèles de ventilateur intermédiaire Best ILB3, ILB6, ILB9 ou ILB11. Aucun autre ventilateur ne peut être substitué (Ventilateur vendu séparément).

NETTOYAGE ET ENTRETIEN

Pour assurer les performances de l'appareil, entretenez-le de manière appropriée.

Moteur

Le moteur est lubrifié en permanence et aucun graissage n'est nécessaire. Si les roulements du moteur font un bruit excessif ou inhabituel, remplacez le moteur par une pièce de rechange identique.

Remplacez aussi les hélices.

Filtre à graisse

Le filtre à graisse doit être nettoyé souvent. Vous pouvez utiliser une solution détergente chaude ou le mettre dans le lave-vaisselle.

Nettoyez tous les filtres en métal dans le lave-vaisselle avec un détergent sans phosphate. Si vous utilisez un détergent phosphaté ou selon le type d'eau, il est possible que le filtre se décolore, mais cela n'affectera aucunement ses performances. Cette décoloration n'est pas couverte par la garantie. Consultez la section « INSTALLATION DES FILTRES » pour connaître les instructions de retrait et d'installation.

Filtre de recirculation non canalisé

Le filtre de recirculation non canalisé doit être changé tous les 6 mois. Si votre style de cuisine engendre beaucoup de graisse, par exemple si vous faites souvent de la friture ou utilisez un wok, remplacez-le plus souvent. Consultez la section « INSTALLATION DES FILTRES » pour connaître les instructions de retrait et d'installation.

Nettoyage de l'acier inoxydable

À FAIRE :

- nettoyez régulièrement l'acier inoxydable avec un chiffon ou un torchon enduit d'eau chaude et de savon doux ou de liquide vaisselle.
- nettoyez toujours dans le sens des lignes de polissage d'origine.
- rincez toujours à l'eau claire (2 ou 3 fois) après le nettoyage. Essuyez complètement.
- vous pouvez aussi utiliser un nettoyant spécial pour acier inoxydable d'électroménagers.

À NE PAS FAIRE :

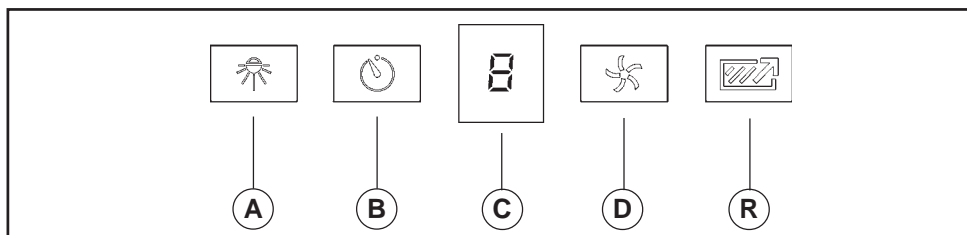
- n'utilisez pas de laine d'acier inoxydable ou d'autres raclours pour éliminer la saleté difficile à éliminer.
- n'utilisez pas de produits de nettoyage durs ou abrasifs.
- ne laissez pas la poussière s'accumuler.
- maintenez la hotte à l'abri de la poussière de plâtre ou d'autres résidus de construction. Pendant la construction/les rénovations, couvrez la hotte afin d'éviter qu'aucune poussière n'adhère aux surfaces en acier inoxydable.

À éviter quand vous choisissez un détergent :

- tous les produits de nettoyage contenant de l'eau de Javel attaquent l'acier inoxydable.
- tous les produits contenant du chlore, du fluor, de l'iode ou du bromure provoquent une détérioration rapide des surfaces.
- tous les produits combustibles utilisés pour le nettoyage, tels que l'acétone, l'alcool, l'éther, le benzène sont extrêmement explosifs et ne doivent jamais être employés à proximité d'une table de cuisson.

FONCTIONNEMENT

COMMANDES (Fig.1)



Bouton A = tourne les lumières / basse / haute / arrêt.

Bouton B = active / désactive la fonction retard-off. Appuyez une fois (lorsque la soufflerie est activée) pour activer la fonction retard-off. Le niveau de vitesse sélectionnée qui est affichée dans l'affichage "C" clignote lorsque cette fonction est activée. Après 10 minutes, le ventilateur s'éteindra. Le retard peut être désactivé à tout moment en appuyant sur le bouton.

Display C = indique la vitesse sélectionnée du ventilateur 1, 2, 3, ou b pour boost. «-» Indique la nécessité de nettoyer le filtre à graisse.

Bouton D = Active le ventilateur. Hotte se met en marche à la dernière vitesse sélectionnée. La vitesse du ventilateur change chaque fois que le bouton est enfoncé (de 1 à "b"). Pour éteindre le ventilateur, appuyez sur le bouton pendant environ 2 secondes continuellement.

Bouton R = Nettoyer le filtre réinitialisation de l'indicateur. Appuyez et maintenez enfoncé pendant 2 secondes pour réinitialiser l'indicateur.

HEAT SENTRY™

La hotte est équipée d'un thermostat HEAT SENTRY™. Ce dispositif active ou accélère la soufflante s'il détecte une chaleur excessive au-dessus de la surface de cuisson.1) Si la soufflante est ARRÊTÉE, il l'ALLUME sur la vitesse HAUTE.2) Si la soufflante est ALLUMÉE à une vitesse basse, il la fait passer à la vitesse HAUTE. Quand la température redevient normale, la soufflante retourne au réglage d'origine.

AVERTISSEMENT

Le thermostat HEAT SENTRY peut activer la soufflante même si la hotte est éteinte. Dans ce cas, il est impossible de désactiver la soufflante avec le commutateur d'ARRÊT. Si vous devez ARRÊTER la soufflante, faites-le depuis le panneau électrique principal.

TELECOMMANDE:

Une télécommande en option Série ACR (vendu séparément) peut être utilisé pour le fonctionnement de la hotte.

AMPOULES HALOGÈNES

Cette hotte de cuisine nécessite 4 ampoules halogène (Type T4, 120 Volt, 25 Watt Max, G9 Base).

⚠ AVERTISSEMENT: Désactivez toujours l'alimentation avant d'effectuer toute opération sur l'appareil.

Pour changer les ampoules :

1. Ouvrez le couvercle en faisant levier sur les fentes prévues à cet effet (Fig.2).
2. Retirez les ampoules en les tirant vers le côté (NE LES TOURNEZ PAS).

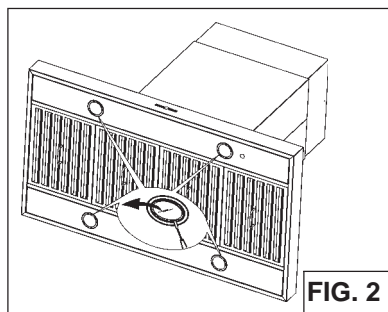


FIG. 2

⚠ ATTENTION : Il est possible que les ampoules soient chaudes.

3. Remplacez-les par des ampoules halogènes de type T4, 120 Volt, 25 Watt Max, G9 Base. Ne touchez pas les ampoules de rechange à mains nues!

PRÉPARATION DE LA HOTTE

Déballer la hotte et vérifier le contenu de l'emballage.

Il doit comprendre :

1 - Hotte

1 - De carneau décoratif

1 - Structure de support

1 - Sac de pièces (B080811011) contenant:

28 - Vis de montage (à tête cylindrique de 3,9 x 9,5 mm)

6 - Vis de montage (6 x 60mm)

4 - Vis de montage (à tête cylindrique de M5 x 20mm)

4 - Rondelles \varnothing 5,2x15mm

1 - Collier d'évacuation

1 - Instructions d'installation

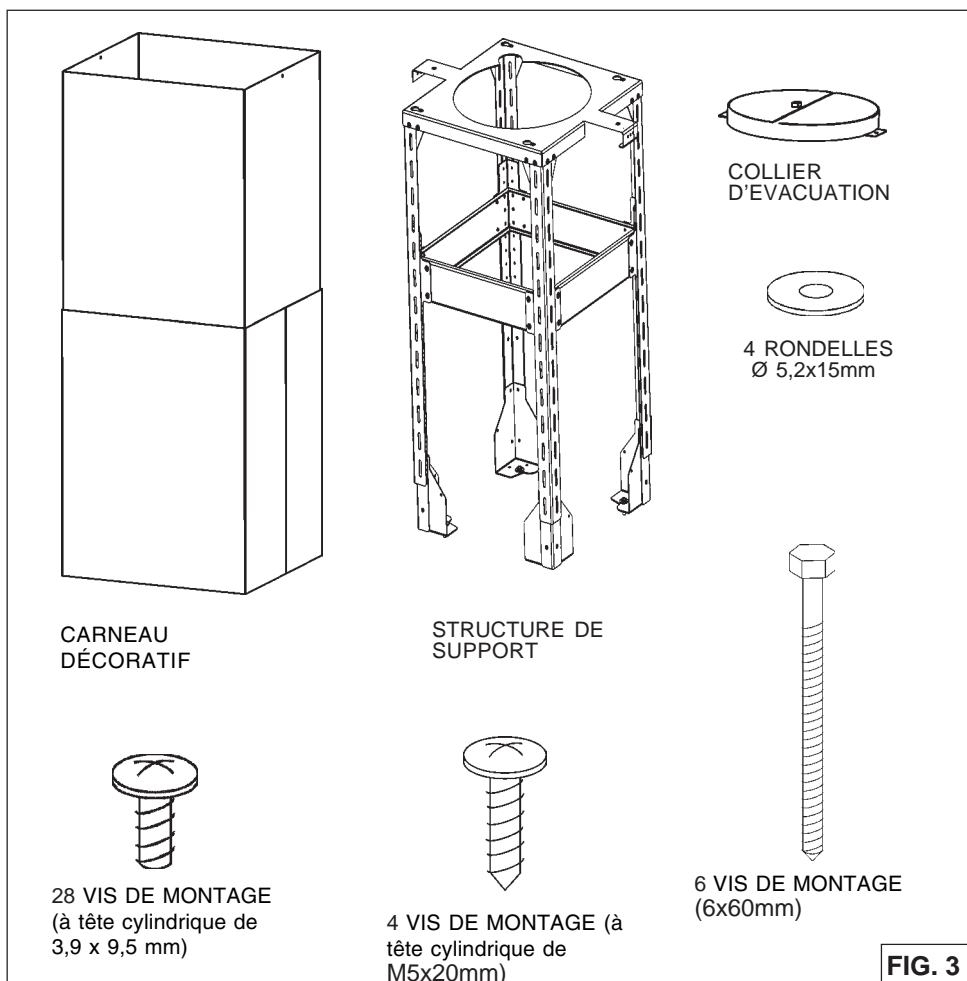


FIG. 3

CHOIX DE VENTILATEUR EXTERNE OU “IN-LINE” IPB9E Series

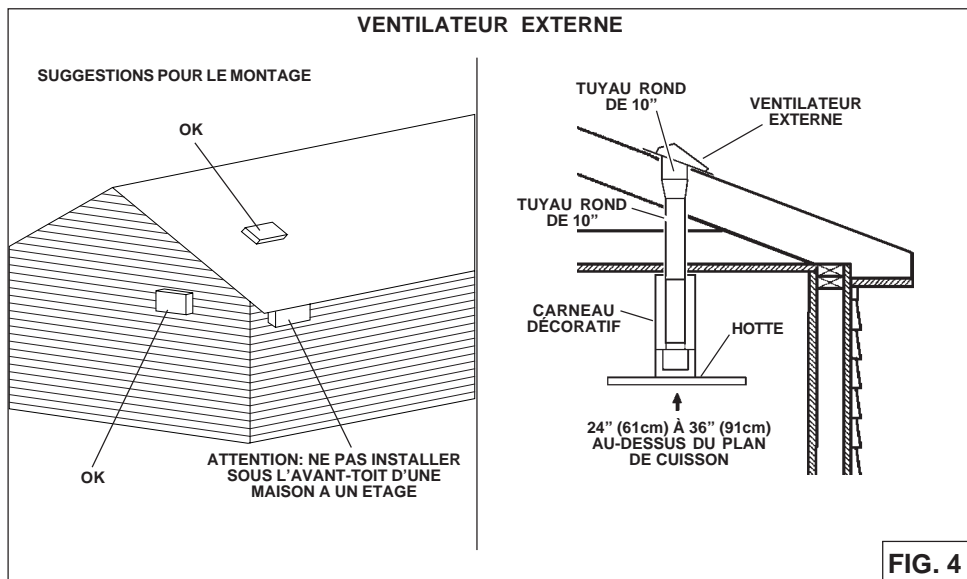
ATTENTION: Pour réduire les risques d'incendie et électrique, installer cette hotte seulement avec un ventilateur extérieur Best Modèles EB6, EB9, EB12 ou EB15, et les ventilateur en ligne Best Modèles ILB3, ILB6, ILB9 ou ILB11 uniquement. On ne peut pas utiliser d'autres ventilateurs (les ventilateurs sont vendus séparément).

Le ventilateur doit être compris dans la liste **UL** pour l'utilisation au Canada et aux **USA** et approuvée pour l'utilisation avec un "dispositif de contrôle de la vitesse" à l'état solide, dont les données sur la plaque sont 120V, 60 Hz, 6.0 A max.

INSTALLATION DU SYSTEME D'EVACUATION IPB9E Series

NOTE: Pour réduire les risques d'incendie n'utiliser que des conduits métalliques.

1. Choisir l'emplacement où le ventilateur externe ou le ventilateur "In-Line" sera monté. Voir les illustrations ci-dessous pour le choix de l'emplacement et les éventuelles restrictions à suivre.
2. Un conduit d'évacuation étroit et court rendra la hotte plus performante.
3. Des conduits d'évacuation longs, avec des coudes et des raccords rendront la hotte moins efficace. Les utiliser le moins possible. En cas de conduits d'évacuation longs on utilisera un diamètre supérieur.
4. Après avoir installé le ventilateur externe ou le ventilateur "In-Line", raccorder le tuyau métallique rond dans le sens de l'emplacement de la hotte. Utiliser du chaterton pour fermer hermétiquement les joints entre les tuyaux.



VENTILATEUR IN-LINE

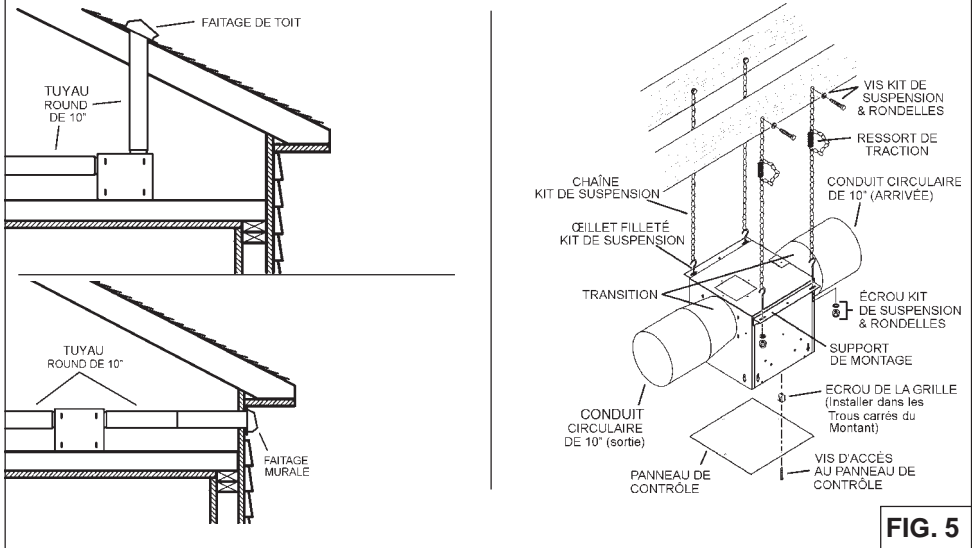
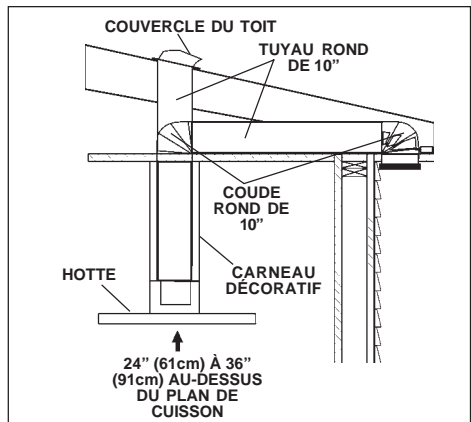


FIG. 5

INSTALLER LES CONDUITS IPB9IQ

REMARQUE: pour réduire les risques d'incendie, utilisez uniquement des conduits métalliques.

1. Décidez où le tuyau doit être installé, entre votre hotte et l'extérieur.
2. Un conduit droit et court permettra à votre hotte de fonctionner d'une façon plus efficace.
3. Un conduits long avec des coudes et des transitions réduira le bon fonctionnement de votre hotte. En utiliser le moins possible.
4. Installez un couvercle sur le toit ou au mur. Reliez un tuyau en métal rond de 10" au couvercle et faites-le aller jusqu'à l'emplacement de votre hotte. Utiliser du ruban adhésif pour sceller les joints entre les sections de conduits.



INSTALLATION DU SYSTEME DE SUPPORT

1. Installez, à l'emplacement de votre hotte, un **cadre croisé** de 2 x 4 entre les **solives du plafond** en suivant les dimensions qui vous sont indiquées.
2. Perfectionnez la surface du plafond. Assurez-vous de bien marquer l'emplacement des solives et du cadre croisé au plafond.
3. Réglez la hauteur totale de la structure de support en utilisant le tableau ci-dessous. Desserrez et resserrez les 4 vis dans les **fissures permettant de régler la hauteur** selon ce qui est nécessaire. Installez 12 vis (3.9x9.5mm) qui se trouvent à l'intérieur du sachet accessoires (Fig.6) assurez-vous que cette une 4" min. chevauchement entre la partie supérieure et des pattes de support inférieures
4. Monter les quatre vis 6x70mm au plafond à l'endroit indiqué sur la figure 7. Laisser 1/4" d'espace entre la tête de vis et le plafond (vis seront serrées plus tard). Assurez-vous que les vis sont entraînées dans le centre de poutrelles et de cadrage pour une résistance maximale.

Remarques:

- a. "-" = Hauteur de montage n'est pas possible.
- b. La distance minimale de la hotte au-dessus de la table de cuisson ne doit pas être inférieure à 24". Un maximum de 36" au-dessus de la table de cuisson est fortement recommandé pour une meilleure évacuation des odeurs de cuisson. Distances de plus de 36" sont les installer et choix de l'utilisateur, et si la hauteur de plafond et le permis de longueur de combustion.
- c. Requier en option le carneau extensible à 10 / 11 PI, modèle canalisé AEIPB9SB.

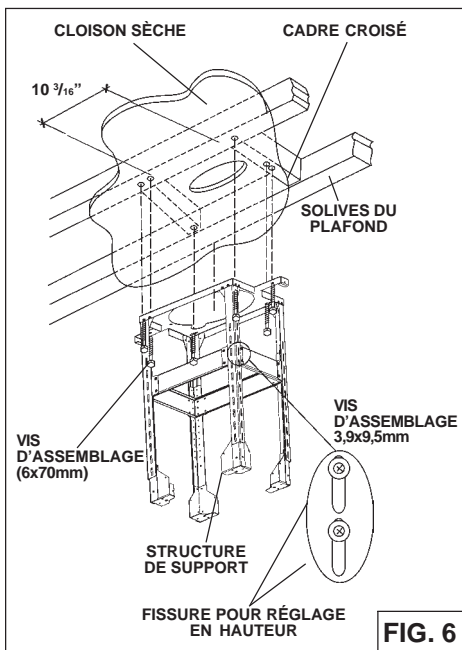


FIG. 6

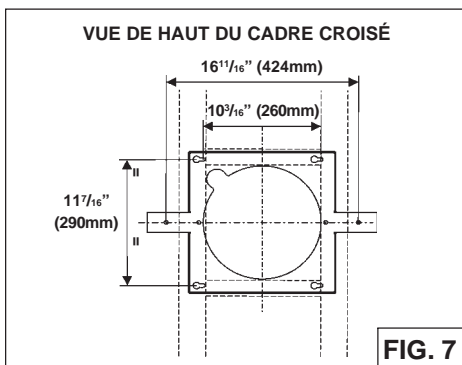
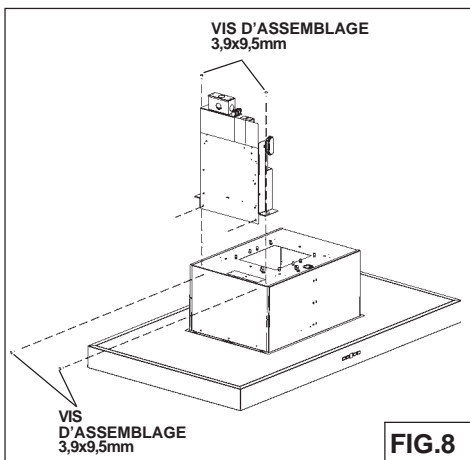


FIG. 7

Hauteur de Plafond	Distance de la Hotte à 90 cm (36") au-dessus de la Table de Cuisson												
	24	25	26	27	28	29	30	31	32	33	34	35	36
	Assemblé hauteur structure de support (po)												
2,4 M (8 PI)	23 3/8"	22 3/8"	22 3/4"	-	-	-	-	-	-	-	-	-	-
2,75 M (9 PI)	-	-	34 3/8"	33 3/8"	32 3/8"	31 3/8"	30 3/8"	29 3/8"	28 3/8"	27 3/8"	26 3/8"	25 3/8"	24 3/8"
3,05 M (10 PI) (voir note c)	47 3/8"	46 3/8"	45 3/8"	44 3/8"	43 3/8"	42 3/8"	41 3/8"	40 3/8"	39 3/8"	38 3/8"	37 3/8"	36 3/8"	-
3,35 M (10 PI) (voir note c)	-	58 3/8"	57 3/8"	56 3/8"	55 3/8"	54 3/8"	53 3/8"	52 3/8"	51 3/8"	50 3/8"	49 3/8"	48 3/8"	47 3/8"

- Fixer la plaque électrique avec 4 vis (3.9x9.5mm) à la hotte, les vis se trouvent à l'intérieur du sachet accessoires (Fig. 8).

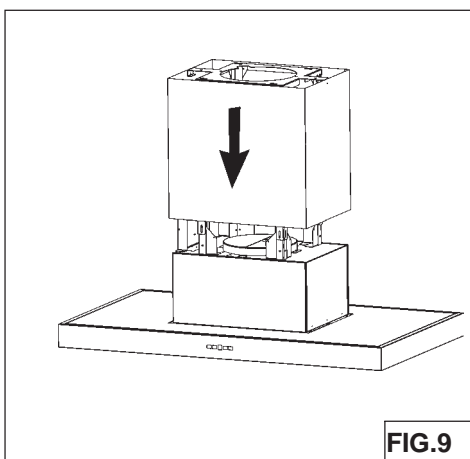


INSTALLATION DU CONDUIT DECORATIF

INSTALLATION D'UNE HOTTE CANALISÉE

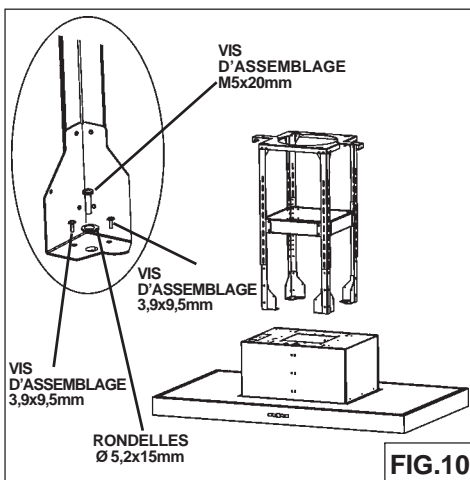
Remarque: Les chambres avec plafond de 10 ou 11 pieds, exigent le carneau d'extension, modèle AEWPP9SB, disponible auprès de votre revendeur local. Jeter le carneau supérieure fournie avec la hotte et le remplacer avec l'extension de carneau.

- Introduire le **conduit supérieur** à la structure de support (Fig. 9).
- Monte la campana al techo con los (4) tornillos 6x70mm instalados previamente. Apriete estos tornillos. Instale (2) tornillos de 6x70mm adicionales, como se muestra en la ilustración. Asegúrese de que todos los (6) tornillos estén firmes.
- Fixez la hotte au plafond et installez le (2) vis supplémentaires (6x70mm).



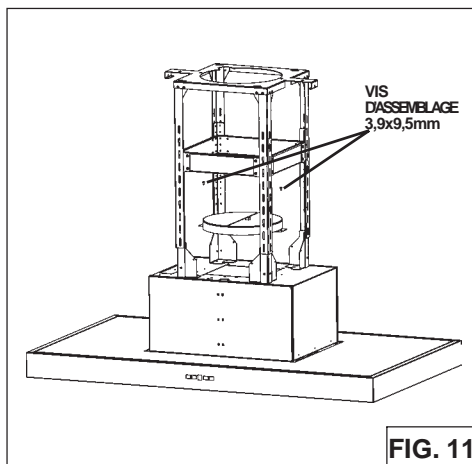
INSTALLATION DU SYSTEME DE SUPPORT

- Réglez la hauteur totale de la structure de support. Desserrez et resserrez les 4 vis dans les **fissures permettant de régler la hauteur** selon ce qui est nécessaire. Installez 8 vis (3.9x9.5mm), 4 vis (M5x20mm) et 4 rondelles (D.5.2x15mm) qui se trouvent à l'intérieur du sachet accessoires (Fig. 10).

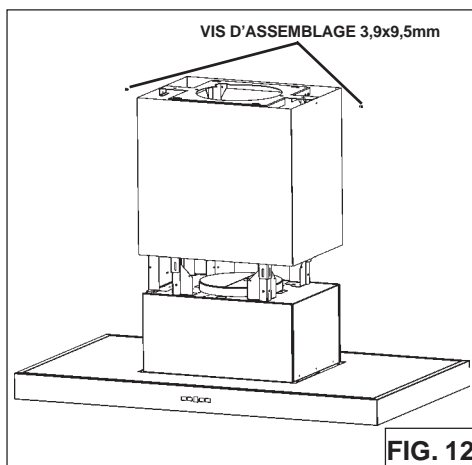


INSTALLATION DU CONDUIT DECORATIF

1. Fixer le collier d'évacuation au haut de votre hotte, la fixation a lieu au moyen des 2 vis (3.9x9.5mm) qui se trouvent à l'intérieur du sachet accessoires (Fig.11).



2. Attaché le **conduit supérieur** pour le châssis de support supérieur avec les vis de montage de 3,9 x9, 5mm (Fig.12).



INSTALLATION ELECTRIQUE (IPB9IQ)

Remarque: Ce modèle de hotte doit être relié à la terre correctement. Cet article devrait être installé par un électricien qualifié selon les lois nationales et locales en matière d'électricité.

1. Enlevez le couvercle de la **boîte de connexion électrique**. Ouvrez un trou de la boîte de connexion électrique (Fig.13).
2. Fixer le "conduit" au boîtier de connexion à l'aide d'un connecteur approprié pour ce "conduit".
3. Faites le raccordement électrique. Reliez le blanc au blanc, le noir au noir et le vert au vert.
4. Remettez le couvercle de la boîte de connexion et les vis. Assurez-vous que les fils se sont pas coincés entre le couvercle et la boîte.

BRANCHEMENT DU VENTILATEUR EXTERNE À LA HOTTE (IPB9E)

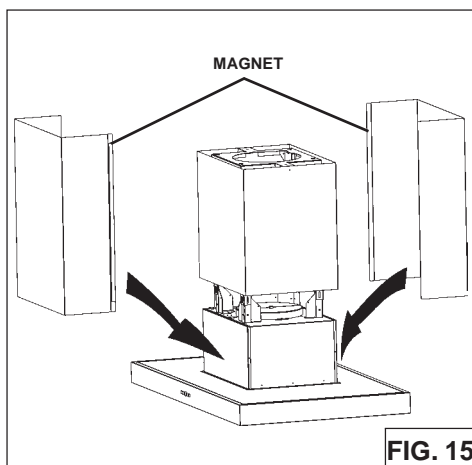
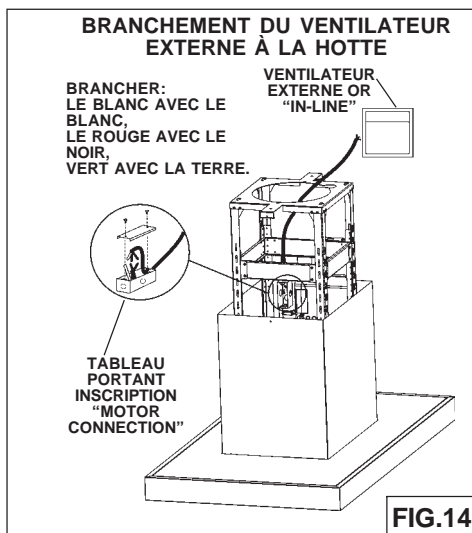
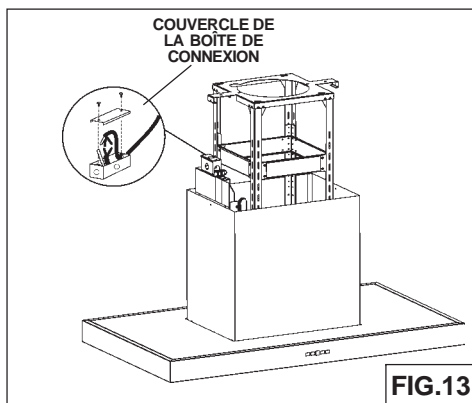
1. Tirer un câble à 2 fils avec la terre du ventilateur externe (ou ventilateur "In-Line") vers le tableau de l'installation électrique de la hotte portant la mention "motor connection" (Fig.14).
2. Enlever le couvercle du tableau électrique et enlever un knockout.
3. Alimenter le knockout par un câble de 6" de diamètre et fixer le câble au tableau électrique par un raccord approprié.
4. Faire le branchement électrique à la hotte. Raccorder le blanc avec le blanc, **le rouge au noir** et le vert à la terre.
5. Remettre le couvercle sur le tableau électrique et en revissant s'assurer que les fils n'ont pas été pincés entre le couvercle et le tableau.

Branchement du ventilateur externe ou "In-Line" :

1. Effectuer les branchements électriques sur le ventilateur externe ou "In-Line" (Voir la notice jointe).

INSTALLATION DU CONDUIT DECORATIF

1. Ci-joint les **deux parties de conduit inférieures** à la structure de support en faisant se chevaucher les magnet latéraux (Fig.15).

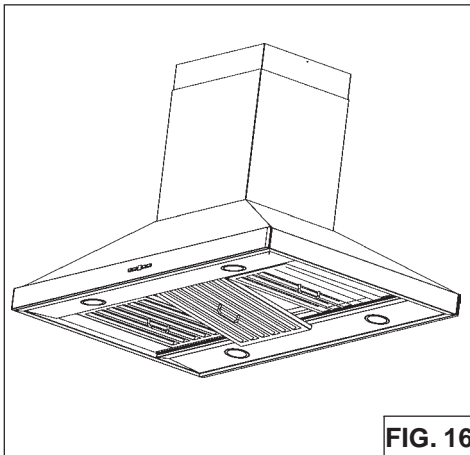


INSTALLATION DES FILTRESS

HOTTES CANALISÉE

REMARQUE: Avant toute utilisation, enlever la pellicule de protection du cadre du filtre.

1. Pour retirer le filtre à GRAISSE, (Fig.16) pousser le filtre vers l'avant pour qu'il efface le canal du filtre, puis tirez sur la poignée pour dégager le filtre de la hotte. Inclinez le filtre vers le bas et la retirer.
2. Les filtres à graisse et la gouttière (voir page 25 pour les instructions de démontage et nettoyage) doivent être nettoyés fréquemment. Utilisez une solution de détergent chaude. Filtres à graisse et les collecteurs du pétrole au lave-vaisselle.
3. Pour installer le filtre à graisse, alignez les onglets filtre arrière avec ressort dans la hotte. Déroulez manipuler, pousser filtre en position, puis relâchez. Assurez-vous que le filtre est bien engagé après l'installation.



CALIBRAGE DU VENTILATEUR IQ^{MC}

VENTILATEUR INTERNE AVEC CONDUITS SEULEMENT

Une fois la hotte installée et connectée, enclenchez le processus de calibrage (notre Technologie de performance garantie s'assure que le débit d'air optimal sera émis). Avant le calibrage, assurez-vous que les filtres, les ampoules d'éclairage et les conduits sont installés.

CALIBRAGE

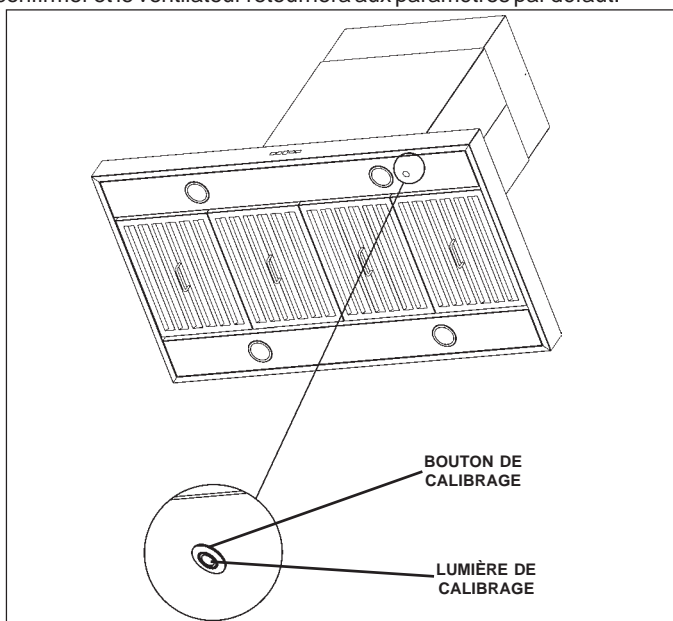
Maintenez le bouton de calibrage pendant 3 secondes; le bouton s'allumera durant jusqu'à 13 minutes. Le ventilateur se met en marche et le calibrage commence. Une fois le calibrage terminé, il y a deux possibilités:

- A. Le ventilateur s'arrête et la lumière du bouton de calibrage reste allumée = Calibrage réussi. Appuyez sur le bouton pour éteindre la DEL. Remarque: La DEL s'éteindra aussi si vous sélectionnez n'importe quelle vitesse de ventilateur à l'aide de la commande.
- B. Le ventilateur s'arrête et la lumière du bouton de calibrage clignote continuellement = Trop de restriction dans le conduit empêchant le ventilateur IQMC d'atteindre le débit d'air nominal. Le ventilateur se règle automatiquement à l'intensité maximale.

REMARQUE : Les causes les plus courantes de restriction sont : un clapet coincé (clapet antirefoulement, capuchon mural, capuchon de toit), un trop grand nombre de coudes, un conduit dont la dimension est 80 % inférieure à la sortie de la hotte, une mauvaise transition, l'utilisation de conduit flexible et/ou un conduit écrasé.

Trois options s'offrent à vous si le débit de votre hotte est soumis à une restriction trop importante :

1. Accepter le débit tel quel.
 - a. Appuyez sur le bouton de calibrage pour accepter le débit d'air tel quel. Le ventilateur IQMC est maintenant configuré au meilleur rendement possible. Le témoin de calibrage clignotant s'éteint. Remarque : La DEL s'éteindra aussi si vous sélectionnez n'importe quelle vitesse de ventilateur à l'aide de la commande.
2. Corriger la restriction, effacer les données du calibrage original et recommencer le calibrage.
 - a. Corrigez la restriction dans le conduit.
 - b. Effacez les données du calibrage original en maintenant le bouton de calibrage pendant 10 secondes. Le témoin clignotera 3 fois pour confirmer et le ventilateur retournera aux paramètres par défaut.
 - c. Recommencez le calibrage depuis le début.
3. Effacer les données de calibrage pour rétablir les paramètres par défaut de la hotte et obtenir le rendement standard à haute pression du ventilateur.
 - a. Effacez les données de calibrage pour rétablir les paramètres par défaut de la hotte en maintenant le bouton de calibrage pendant 10 secondes. Le témoin clignotera 3 fois pour confirmer et le ventilateur retournera aux paramètres par défaut. bouton de calibrage pendant 10 secondes. Le témoin clignotera 3 fois pour confirmer et le ventilateur retournera aux paramètres par défaut.



IPB9 Mode de Programmation Procédure

Mode de Programmation IPBP9E Procédure

La hotte est conçu pour fonctionner avec différents modèles de souffleuses. Avant d'utiliser la hotte, le contrôle doit d'abord être programmé pour votre modèle soufflerie, afin d'atteindre une vitesse de fonctionnement correct:

1. Trouvez le numéro de configuration qui correspond au modèle du ventilateur qui est installé avec votre hotte.
2. Il faut pouvoir le capot mais le ventilateur et les lumières doivent être éteintes.
3. Appuyez simultanément interrupteur d'éclairage et RESET pendant 5 secondes: l'écran affiche un "P" clignotent trois fois et puis affiche alternativement le "P" et la configuration choisie.
4. Sélectionnez la configuration souhaitée avec le Bouton de ventilateur (3→2→1) ou RESET (1→2→3).
5. Poussez le Bouton de temporisateur pour confirmer.
6. L'affichage ("P") clignote deux fois (2 sec sur - 0,5 sec éteint) Enregistrement de la configuration choisie.

Description de "Niveau de vitesse"

Configuration 1 est pour les moteurs avec une cote jusqu'à 3.0 amp

Configuration 2 est pour les moteurs avec une cote de 3.1 amp et 5.0 amp

Configuration 3 est pour les moteurs avec une cote supérieure de 5.1 à 6 amp

	SETUP 1	SETUP 2	SETUP 3
Configuration 1 est pour les moteurs avec une cote jusqu'à 3.0 amp	EB6	EB12	EB9
Configuration 2 est pour les moteurs avec une cote de 3.1 amp et 5.0 amp	ILB3	EB15	ILB11
Configuration 3 est pour les moteurs avec une cote supérieure de 5.1 à 6 amp	ILB6	ILB9	

GARANTIE

GARANTIE LIMITÉE DE UN AN DE BEST

Broan-NuTone LLC (Broan-NuTone) garantit à l'acheteur original que les produits BEST vendus en vertu de la présente sont libres de tout vice de matériel ou de fabrication pour une période de un an à compter de la date d'achat originale. CETTE GARANTIE NE COMPORTE AUCUNE AUTRE GARANTIE, EXPRESSE OU TACITE, Y COMPRIS, MAIS SANS S'Y LIMITER, LES GARANTIES TACITES DE VALEUR MARCHANDE OU D'ADAPTATION À UN USAGE PARTICULIER.

Durant cette période de un an, Broan-NuTone réparera ou remplacera gratuitement, à sa discrétion, tout produit ou toute pièce jugés défectueux dans des conditions normales d'utilisation.

CETTE GARANTIE NE S'APPLIQUE PAS AUX TUBES FLUORESCENTS ET AUX STARTERS, NI AUX AMPOULES HALOGÈNES OU INCANDESCENTES, FUSIBLE, FILTRES, CONDUITES, CHAPEAUX DE TOIT, CHAPEAUX DE MUR ET AUTRES ACCESSOIRES POUR CANALISATIONS. Cette garantie ne couvre pas (a) les frais d'entretien ou de service normaux ni (b) tout produit ou toute pièce soumis à une utilisation inadéquate, une négligence, un accident, un entretien ou une réparation inadéquats (autres que ceux effectués par Broan-NuTone), une mauvaise installation ou une installation contraire aux instructions recommandées. La durée de toute garantie tacite est limitée à la période de un an stipulée pour la garantie expresse. Certains États ou provinces ne permettent pas de limites quant à la durée d'une garantie implicite. La restriction susmentionnée peut donc ne pas s'appliquer dans votre cas.

BROAN-NUTONE'S OBLIGATION POUR BROAN-NUTONE DE RÉPARER OU DE REMPLACER LE PRODUIT, À SA DISCRÉTION, CONSTITUE LE SEUL RECOURS DE L'ACHETEUR EN VERTU DE CETTE GARANTIE. BROAN-NUTONE NE PEUT PAS ÊTRE TENUE RESPONSABLE DE TOUT DOMMAGE INDIRECT, CONSÉCUTIF OU ACCESSOIRE DÉCOULANT DE L'UTILISATION OU DU RENDEMENT DU PRODUIT. Certains États ou provinces interdisent l'exclusion ou la restriction des dommages indirects ou consécutifs. La restriction susmentionnée peut donc ne pas s'appliquer dans votre cas.

La présente garantie vous confère des droits spécifiques reconnus par la loi. D'autres droits pourraient également vous être accordés selon la législation locale en vigueur. La présente garantie remplace toutes les autres garanties précédentes.

Pour le service sous garantie, vous devez (a) aviser Broan-NuTone à l'une des adresses ou numéros de téléphone mentionnés ci-dessous, (b) indiquer le numéro de modèle et d'identification de la pièce et (c) décrire la défectuosité du produit ou de la pièce. Lors d'une réclamation, vous devez présenter une preuve de la date d'achat originale.

In USA - Best®, 926 W. State Street, Hartford, WI 53027 (800-558-1711)

In Canada - Best®, 550 Lemire Blvd., Drummondville, QC J2C 7W9 (866-737-7770)

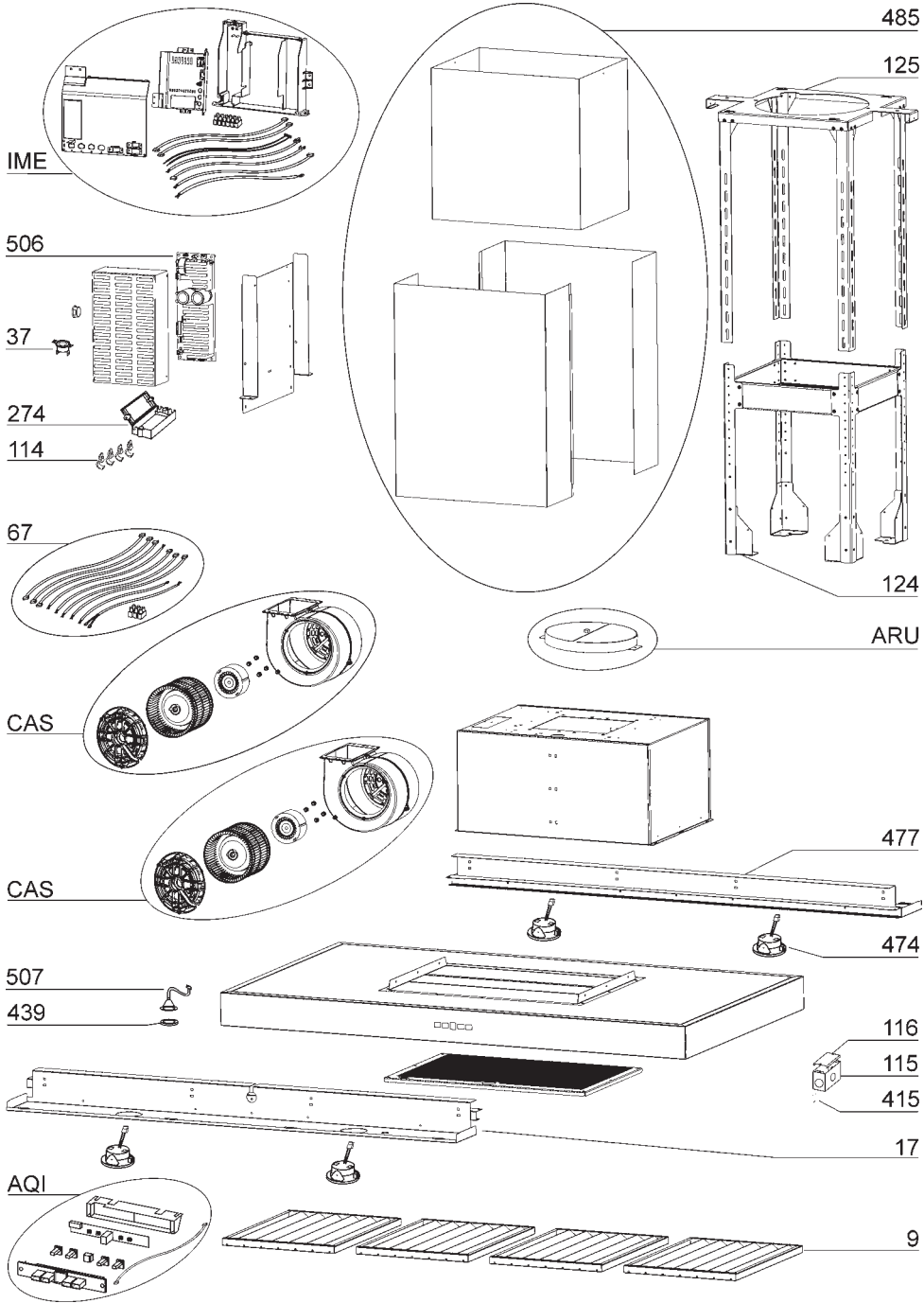
www.BestRangeHoods.com

PIÈCES DE RECHANGE

MODÈLE IPB9IQT

N.	PART N.	DESCRIPTION
9	B08087951	Filtres à graisse
17	BE3351864	Support de Diffuseur de Lumière
37	B02300804	Capteur de température
67	B06102611	Ensemble de Fils
114	B03292499	Fils de passage
115	BE3350233	Boîte de alimentation
116	BE3334252	Couvercle Boîte de alimentation
124	B08093422	Structure de Support Inférieure
125	B08093431	Structure de Support Supérieure
202	B03292063	Serre-fil
274	B03295035	Boîte Fusible
415	B03292596	Chaurmad
439	B02320034	Manchon en Caoutchouc
474	B02300918	Ampoule Halogène
477	BE3351945	Support de Diffuseur de Lumière Retour
485	B08016373	Conduit décoratif Assemblée
506	97019434	BLDC Driver
507	B06102584	Bouton Calibration Assemblée
AQI	B06102596	Ensemble de Tableau de Commandes
ARU	BE3405192	Connector Conduit Assemblée 10"
IME	B06145225	Ensemble de l'Installation Électrique
CAS	B06002259	Ensemble de Soufflante
*	B080811011	Accessoires de fixation (Comprend Les N° ARU)

* Illustrées separement.

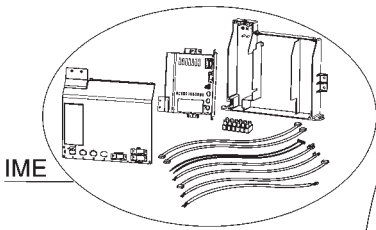


PIÈCES DE RECHANGE

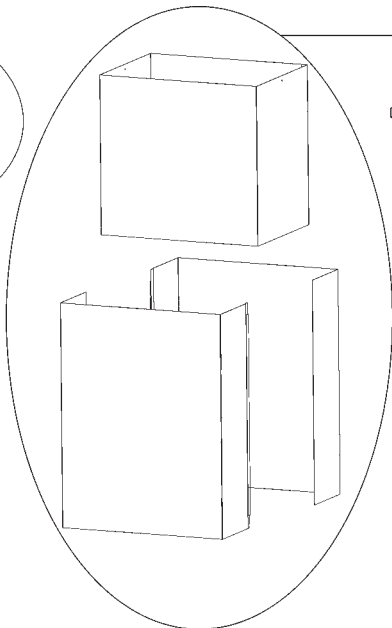
MODÈLE IPB9E

N.	PART N.	DESCRIPTION
9	B08087951	Filtres à graisse
17	BE3351928	Support de Diffuseur de Lumière
37	B02300804	Capteur de température
67	B06102612	Ensemble de Fils
114	B03292499	Fils de passage
115	BE3350233	Boîte de alimentation
116	BE3334252	Couvercle Boîte de alimentation
124	B08093422	Structure de Support Inférieure
125	B08093431	Structure de Support Supérieure
202	B03292290	Serre-fil
274	B03295035	Boîte Fusible
415	B03292596	Chaurmad
474	B02300918	Ampoule Halogène
477	BE3351945	Support de Diffuseur de Lumière Retour
485	B08016373	Conduit décoratif Assemblée
AQI	B06102605	Ensemble de Tableau de Commandes
ARU	BE3405192	Connector Conduit Assemblée 10"
IME	B06145226	Ensemble de l'Installation Électrique
*	B080811011	Accessoires de fixation (Comprend Les N° ARU)

* Illustrées separement.

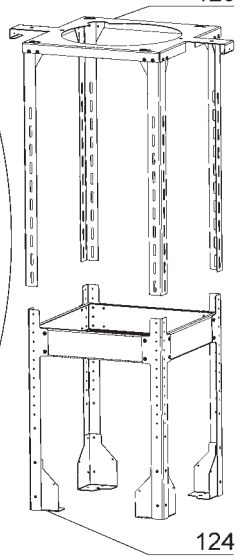


IME

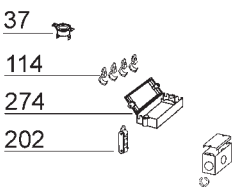


485

125



124



37

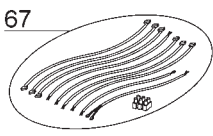
114

274

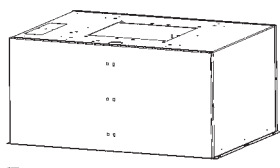
202



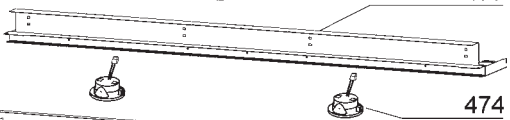
ARU



67



477



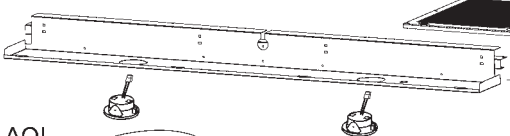
474



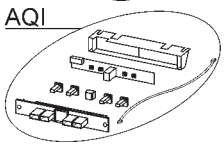
116

115

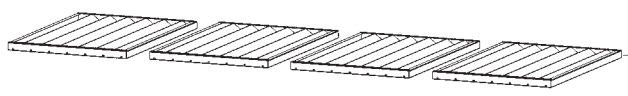
415



17

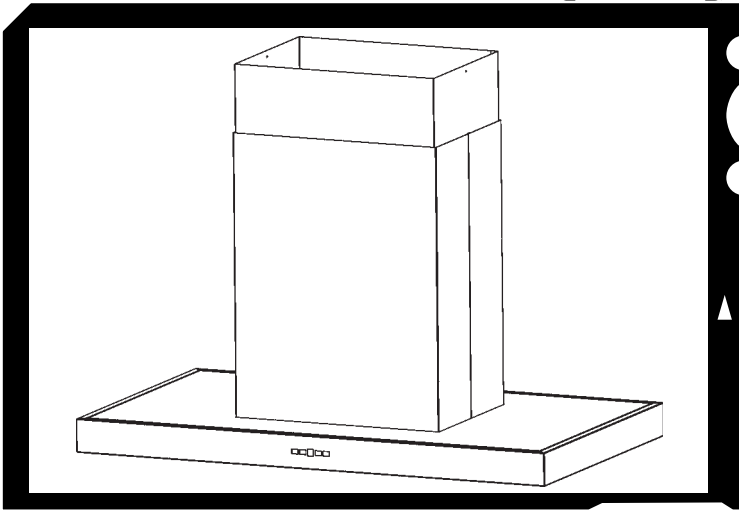


AQI



9

best®



Modelo IPB9

ENGLISH.....	3
FRANÇAIS.....	21
ESPAÑOL.....	41

En EE.UU.: BEST Hartford, Wisconsin
En CANADÁ - BEST Drummondville, QC, Canada

REGISTRE SU PRODUCTO EN LÍNEA EN: www.BestRangeHoods.com/register
Para obtener información adicional visite www.BestRangeHoods.com

LEA Y CONSERVE ESTAS INSTRUCCIONES

⚠ PARA COCINAS DOMÉSTICAS SOLAMENTE ⚠

⚡ ⚠ ADVERTENCIA

PARA REDUCIR EL RIESGO DE INCENDIOS, DESCARGAS ELÉCTRICAS O LESIONES PERSONALES, RESPETE LO SIGUIENTE:

1. Utilice esta unidad sólo de la manera prevista por el fabricante. Si tiene preguntas, comuníquese con el fabricante a la dirección o el número de teléfono que aparecen en la garantía.
2. Antes de realizar el mantenimiento de la unidad o de limpiarla, desconecte la energía en el panel de servicio y bloquéelo para evitar conectar la energía accidentalmente. Cuando no se pueda bloquear el mecanismo de desconexión, fije firmemente un dispositivo de advertencia que se destaque, como una etiqueta, en el panel de servicio.
3. Una persona capacitada debe realizar el trabajo de instalación y el cableado eléctrico conforme a los códigos y estándares correspondientes, incluidos los códigos y estándares de construcción de resistencia al fuego.
4. Es necesario que haya suficiente aire para que se produzca una combustión adecuada y los gases de los equipos que consumen combustible se puedan evacuar a través del conducto de humo (chimenea) para evitar el contrarritaje. Siga las directrices y las normas de seguridad del fabricante del equipo de calefacción como las publicadas por la Asociación Nacional de Protección contra Incendios (National Fire Protection Association, NFPA) y la Sociedad Americana de Ingenieros en Calefacción, Refrigeración y Aire Acondicionado (American Society for Heating, Refrigeration and Air Conditioning Engineers, ASHRAE) y las autoridades de códigos locales.
5. Cuando realice cortes o perforaciones en paredes o techos, no dañe el cableado eléctrico ni otros servicios públicos ocultos.
6. Los ventiladores entubados siempre deben ventilarse hacia el exterior.
7. No utilice esta unidad con un dispositivo de control de velocidad de estado sólido independiente.
8. Para reducir el riesgo de incendios, sólo utilice entubados de metal.

INSTRUCCIONES DE CONEXIÓN A TIERRA

Este artefacto se debe conectar a tierra. En caso de un cortocircuito eléctrico, la conexión a tierra reduce el riesgo de descarga eléctrica al proporcionar un cable de escape para la corriente eléctrica.

ADVERTENCIA: la conexión a tierra incorrecta puede crear riesgo de descarga eléctrica.

Consulte a un electricista capacitado si no comprende por completo las instrucciones de conexión a tierra o si tiene dudas sobre si el artefacto está conectado a tierra correctamente.

PARA REDUCIR EL RIESGO DE INCENDIOS POR GRASA EN LA COCINA:

- A. Nunca deje las unidades de superficie sin cuidado en graduaciones altas. Los derrames por ebullición generan humos y derrames grasosos que pueden encenderse. Caliente aceites lentamente en una graduación baja o media.
- B. Siempre ENCIENDA la campana cuando cocine con mucho calor o cuando flambea alimentos (por ejemplo crepes Suzette, cerezas jubileo, filete flambeado a la pimienta).
- C. Limpie los ventiladores con frecuencia. No se debe dejar acumular grasa en el ventilador ni en el filtro.
- D. Utilice una cacerola del tamaño adecuado. Siempre utilice utensilios de cocina apropiados para el tamaño del elemento de la superficie.

ADVERTENCIA

PARA REDUCIR EL RIESGO DE LESIONES PERSONALES EN CASO DE UN INCENDIO POR GRASA EN LA COCINA, RESPETE LO SIGUIENTE: *

1. SOFOQUE LAS LLAMAS con una tapa bien ajustada, una bandeja para hornear o una bandeja metálica y luego apague el quemador. **TENGA LA PRECAUCIÓN DE EVITAR QUEMADURAS.** Si las llamas no se apagan inmediatamente, **SALGA Y LLAME A LOS BOMBEROS**
2. **NUNCA TOQUE UNA CACEROLA EN LLAMAS:** puede quemarse.
3. **NO USE AGUA,** incluso toallas o repasadores húmedos. Se producirá una explosión de vapor violenta.
4. Utilice un extintor de incendios **SÓLO** si
 - A. Sabe que tiene un extintor de incendios Clase ABC y ya sabe utilizarlo
 - B. El fuego es pequeño y está contenido en el área donde comenzó.
 - C. Se está llamando a los bomberos.
 - D. Puede combatir el incendio de espaldas hacia una salida.

*Según los "Consejos de seguridad para incendios en la cocina" publicado por la NFPA.

PRECAUCIÓN

1. Sólo para uso en interiores.
2. Para reducir el riesgo de incendios y eliminar el aire correctamente, asegúrese de dirigir el aire hacia afuera. No ventile el aire de escape en espacios dentro de paredes o techos ni en áticos, sótanos o garajes.
3. Tenga cuidado cuando use agentes de limpieza o detergentes.
4. Evite usar productos alimenticios que produzcan llamas debajo de la campana para cocina.
5. Sólo para uso de ventilación general. No utilice para purgar materiales y vapores explosivos o peligrosos.
6. Para evitar causar daños en el cojinete del motor y que los propulsores queden desbalanceados o ruidosos, mantenga el polvillo de paredes de yeso, polvo de construcción, etc. alejados de la unidad motriz.
7. El motor de la campana tiene relés térmicos que se apagan automáticamente si el motor se sobrecalienta. El motor se reiniciará cuando se enfríe. Si el motor se sigue apagando y reiniciando, realice el mantenimiento de la campana.
8. Para capturar mejor las impurezas de la cocina, la parte inferior de la campana debe tener un espacio de como mínimo 24" y como máximo 36" por encima de la superficie de cocción. Consulte la sección "Instalación del soporte de montaje" para obtener las restricciones de montaje.
9. Se recomienda que haya dos instaladores debido al gran tamaño y peso de esta campana.
10. Este producto está equipado con un termostato que puede iniciar el extractor automáticamente. Para reducir el riesgo de lesiones y evitar conectar la energía accidentalmente, desconecte la energía en el panel de servicio y bloquéelo o etiquételo.
11. Lea la etiqueta de especificación en el producto para obtener más información y requisitos.
12. **SÓLO PARA MODELOS DEL VENTILADOR EXTERNO:** Para reducir el riesgo de incendio y descargas eléctricas, instale esta campana solamente con los modelos de ventilador exterior Best EB6, EB9, EB12 or EB15, o los modelos de ventilador en línea Best ILB3, ILB6, ILB9 or ILB11. No se pueden utilizar otros ventiladores (los ventiladores se venden por separado).

LIMPIEZA Y MANTENIMIENTO

El mantenimiento adecuado de la campana para cocina garantizará el rendimiento correcto de la unidad.

Motor

El motor está constantemente lubricado y nunca necesita engrase. Si los cojinetes del motor hacen un ruido excesivo o inusual, reemplace el motor con el mismo motor de servicio. También se debe reemplazar el propulsor.

Filtro de grasas

Se debe limpiar el filtro de grasas regularmente. Utilice una solución de detergente tibia. El filtro de grasas es apto para lavavajillas. Limpie los filtros que sean completamente de metal del lavavajillas con un detergente sin fosfato. Es posible que se produzca una decoloración del filtro si se usan detergentes con fosfato o como resultado del estado del agua local, pero esto no afectará el rendimiento del filtro. Esta decoloración no está cubierta por la garantía.

Consulte la sección "INSTALACIÓN DE FILTROS" para obtener instrucciones de extracción e instalación.

Limpieza del Acero Inoxidable

LO QUE SE DEBE HACER:

- limpiar regularmente con un paño limpio o un trapo empapado con agua tibia y jabón suave o detergente líquido.
- limpiar siempre en la dirección de las líneas pulidas originales.
- siempre enjuagar bien con agua limpia (2 ó 3 veces) después de la limpieza. secar con un trapo por completo.
- también se puede utilizar un limpiador de acero inoxidable doméstico.

LO QUE NO SE DEBE HACER:

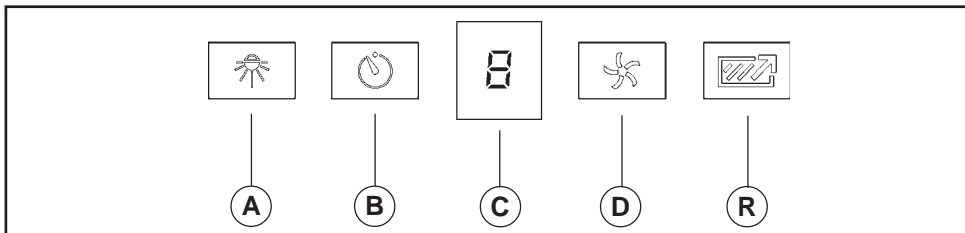
- usar cualquier esponja de acero o acero inoxidable o cualquier raspador para eliminar cualquier suciedad persistente.
- usar limpiadores agresivos o abrasivos.
- permitir que se acumule suciedad.
- dejar que el polvo de yeso o cualquier otro residuo de construcción alcance la campana. durante una construcción/ renovación, cubrir la campana para cocina para asegurarse de que el polvo no se pegue en la superficie de acero inoxidable.

Cuando elija un detergente, evite lo siguiente:

- todos los limpiadores que contienen lejía, ya que atacarán el acero inoxidable.
- todos los productos que contienen: cloruro, fluoruro, yoduro o bromuro, porque deteriorarán las superficies rápidamente.
- todos los productos combustibles usados para limpiar, como acetona, alcohol, éter, benzol, etc., puesto que son altamente explosivos y nunca se deben usar cerca de la cocina.

FUNCIONAMIENTO

Controles (Fig.1)



Botón A = Enciende las luces encendido/bajo/alto/apagado

Botón B = Activa/Desactiva la función de apagado por retardo. Presione una vez (cuando el extractor este encendido) para activar la función de apagado por retardo. El nivel de velocidad que es desplegado en la pantalla "C" parpadeará cuando este activada esta función. Después de 10 minutos, el extractor se apagará. La función de retardo puede ser desactivada presionando el botón en cualquier momento.

Pantalla C = Indica la velocidad del extractor 1, 2, 3, o "b" para impulso. "-" indica la necesidad de limpiar el filtro de grasas.

Botón D = Enciende el extractor. La campana se encenderá en la última velocidad seleccionada. La velocidad del extractor cambiara cada vez que el botón es presionado (de 1 a "b"). Para apagar el extractor mantenga el botón presionado por aproximadamente 2 segundos.

Botón R = Restablecer el indicador para limpiar el filtro. Mantenga presionado por 2 segundos para restablecer el indicador.

HEAT SENTRY™

La campana está equipada con un termostato HEAT SENTRY™. Este termostato es un dispositivo que encenderá o acelerará el extractor si detecta calor excesivo sobre la superficie de cocción.

1) Si el extractor está APAGADO: ENCIENDE el extractor en velocidad ALTA.

2) Si el extractor está ENCENDIDO en un ajuste de velocidad bajo: cambia el extractor a velocidad ALTA.

Cuando el nivel de temperatura descienda a normal, el extractor regresará a su ajuste original.

ADVERTENCIA

El termostato HEAT SENTRY puede iniciar el extractor aún si la campana está APAGADA. Cuando sucede esto, es imposible APAGAR el extractor con su interruptor. Si debe detener el extractor, hágalo desde el panel eléctrico principal.

MANDO A DISTANCIA:

Un mando a distancia opcional Serie ACR (comprado por separado) se puede utilizar para el funcionamiento de la campana.

FOCOS HALÓGENOS

Esta campana para cocina necesita 4 lámparas halógenas (tipo T4, 120 Volt, 25 Watt Max, G9 Base).

⚠ ADVERTENCIA: siempre desconecte el suministro eléctrico antes de realizar cualquier operación en el artefacto.

Para cambiar los focos:

1. Abra la tapa haciendo palanca desde las ranuras correspondientes (Fig.2).
2. Retire los focos tirando de los costados (NO LOS HAGA GIRAR).

⚠ PRECAUCIÓN: los focos pueden estar calientes.

3. Reemplacelos por focos halógenos del Tipo T4, de 120 Voltios, 25 Vatios Máximos, G9 Base. No toque los focos de repuesto con las manos sin protección!

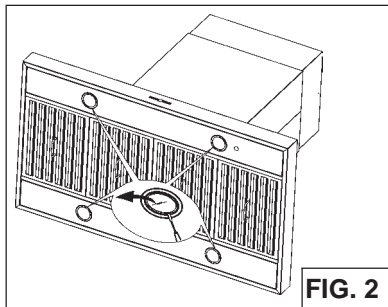


FIG. 2

PREPARACIÓN DE LA CAMPANA

Desensamble la campana y revise el contenido.

Debe recibir:

1 - Campana

1 - Conjunto de conducto de chimenea decorativa

1 - Armazon de soporte

1 - Bolsa de piezas (B080811011) que contiene:

28 - Tornillos de montaje (Cabeza troncocónica 3.9 x 9.5 mm)

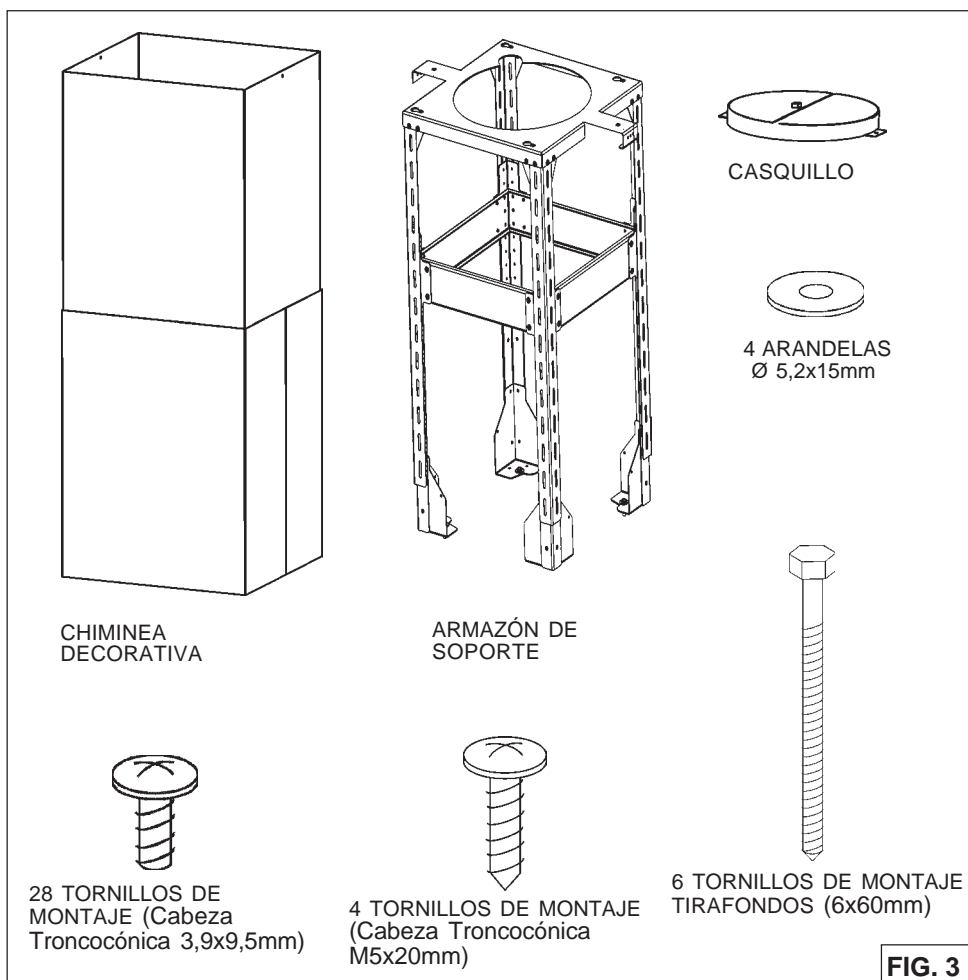
6 - Tornillos de montaje tirafondos (6 x 60mm)

4 - Tornillos de montaje (Cabeza troncocónica M5 x 20 mm)

4 - Arandelas Ø 5,2x15mm

1 - Casquillo

1 - Instrucciones de instalación



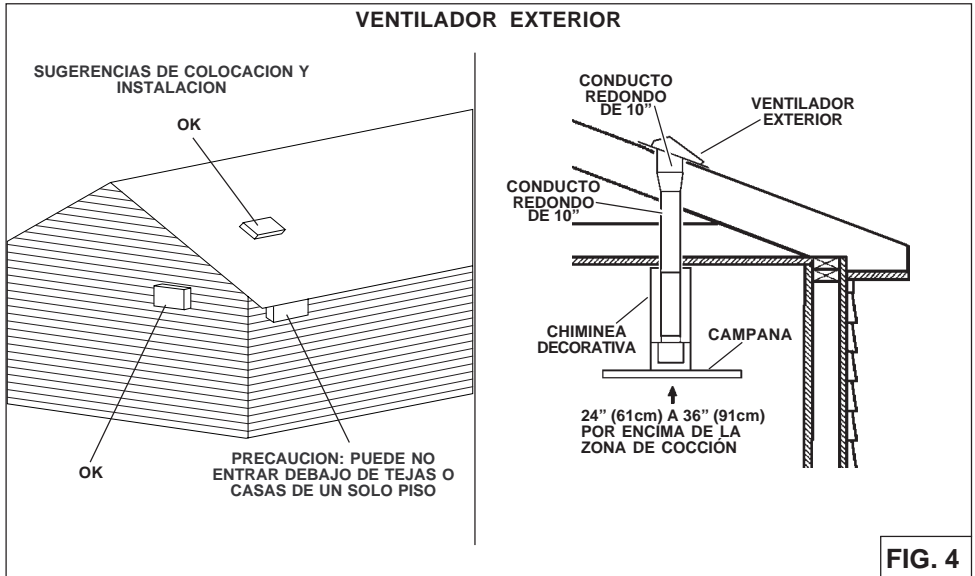
SELECCIÓN DEL VENTILADOR EXTERIOR O DEL VENTILADOR IN-LINE IPB9E Series

PRECAUCIÓN: Para reducir el riesgo de incendios y descargas eléctricas, instale esta campana sólo con el ventilador exterior Best Modelos EB6, EB9, EB12 o EB15 y Best In-Line ventilador Modelos ILB3, ILB6, ILB9 o ILB11. Otros ventiladores no puede substituirse. El ventilador debe ser reconocido por **UL** para su uso en Canadá y EE.UU., y evaluado para su uso con el control de velocidad de estado sólido, clasificado 120V, 60 Hz, 6,0 A máx.

INSTALACION DEL CONDUCTO DE EXTRACCION IPB9E Series

NOTA: Para reducir al riesgo de incendios, use únicamente conductos de metal.

1. Escoja la posición donde hay que colocar el ventilador exterior o "In-Line". Ver las ilustraciones de abajo, con las sugerencias de colocación, para sugerencias y restricciones de instalación.
2. Un conducto corto y recto permite que la campana extractora funcione mejor.
3. Conducto de salida largos, codos y transiciones reducen la funcionalidad de la campana extractora. Úselos lo menos posible. Conductos más anchos pueden ser necesarios para un mejor funcionamiento de los conductos largos.
4. Después de que se instaló el extractor externo o "In-Line", conecte los conductos metálicos circulares hacia la posición de la campana. Use cinta adhesiva para cerrar herméticamente las uniones entre las secciones del conducto.



VENTILADOR "IN-LINE"

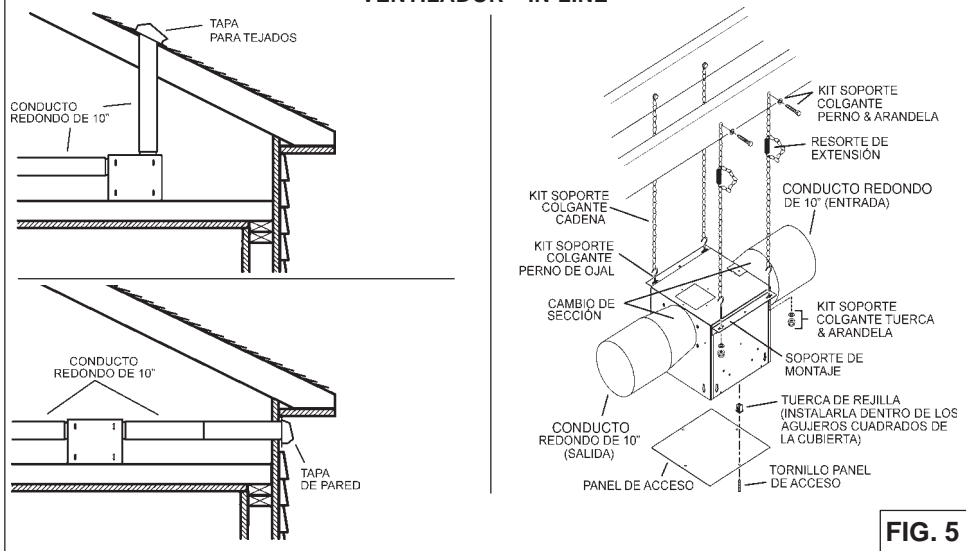
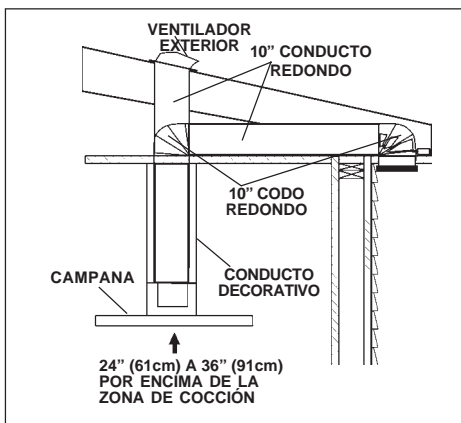


FIG. 5

INSTALACION DEL CONDUCTO DE EXTRACCION IPB9IQ Series

NOTA: para evitar el riesgo de incendio, use solamente material de metal.

1. Decida donde va a colocar el conducto de extracción entre la campana y la parte exterior.
2. Un recorrido de conducto corto y recto permitirá a la campana funcionar de manera más eficaz.
3. Los recorridos largos de conducto, codos y transiciones impiden el buen funcionamiento de la campana. Use el menor número de ellos posible.
4. Instale una cubierta ó una tapa. Conecte 10" conducto redondo de metal a la cubierta y retroceda hasta la posición de la campana. Use una cinta para precintar las juntas entre las partes del entubado.



INSTALACION DEL SISTEMA DE SUJECION

1. En el sitio donde vaya a ir la campana, instale 2 x 4 o mayor **entramado** entre las **vigas del techo** utilizando las medidas dadas.
2. Termine la superficie del techo. Asegúrese de marcar la colocación de las vigas del techo y del entramado.
3. Ajustar la altura total de el **armazón de soporte** utilizando la tabla de abajo. Suelte y vuelva a apretar los 4 tornillos en las ranuras de ajuste de altura, según sea necesario. Inserte 12 tornillos (3.9x9.5mm) ubicadas en el paquete de hardware (Fig. 6) asegurarse de esto un 4" min. superposición entre las patas de soporte superior e inferior.
4. Montar los cuatro tornillos de 6x70mm hasta el techo en la ubicación que se muestra en la figura 7. Deje 1/4 "entre la cabeza del tornillo y el techo (tornillos se aprietan más tarde). Asegúrese de que los tornillos se maneja en el centro de las vigas y molduras para la fuerza máxima.

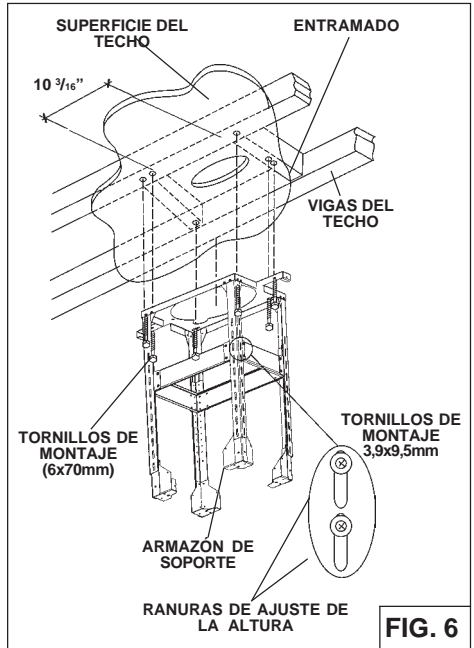


FIG. 6

Notas:

- a. " - " = Altura de montaje no es posible.
- b. Distancia mínima sobre la superficie de cocción no deberá ser menor a 24". Un máximo de 36" por encima de la superficie de cocción es altamente recomendado para la mejor captura de impurezas de cocción. Distancias superiores a 36" son a discreción del instalador o usuario; y si la altura de la chimenea decorativa o techo lo permiten.
- c. Requiere chimenea decorativa opcional de 10 / 11', modelo con ducto AEIPB9SB.

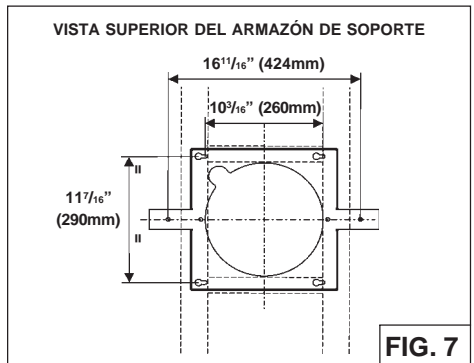


FIG. 7

Altura del techo	Distancia de la campana sobre superficie de cocción superior a 36" (plg.)												
	24	25	26	27	28	29	30	31	32	33	34	35	36
	Montado altura de armazón de soporte (plg)												
8 pies	23 ³ / ₈ "	22 ³ / ₈ "	22 ³ / ₄ "	-	-	-	-	-	-	-	-	-	-
9 pies	-	-	34 ³ / ₈ "	33 ³ / ₈ "	32 ³ / ₈ "	31 ³ / ₈ "	30 ³ / ₈ "	29 ³ / ₈ "	28 ³ / ₈ "	27 ³ / ₈ "	26 ³ / ₈ "	25 ³ / ₈ "	24 ³ / ₈ "
10 pies (ver nota c)	47 ³ / ₈ "	46 ³ / ₈ "	45 ³ / ₈ "	44 ³ / ₈ "	43 ³ / ₈ "	42 ³ / ₈ "	41 ³ / ₈ "	40 ³ / ₈ "	39 ³ / ₈ "	38 ³ / ₈ "	37 ³ / ₈ "	36 ³ / ₈ "	-
11 pies (ver nota c)	-	58 ³ / ₈ "	57 ³ / ₈ "	56 ³ / ₈ "	55 ³ / ₈ "	54 ³ / ₈ "	53 ³ / ₈ "	52 ³ / ₈ "	51 ³ / ₈ "	50 ³ / ₈ "	49 ³ / ₈ "	48 ³ / ₈ "	47 ³ / ₈ "

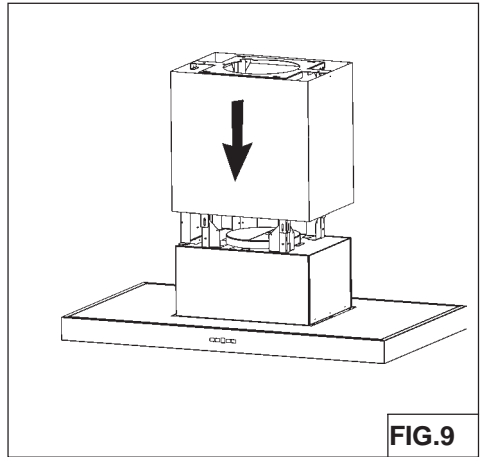
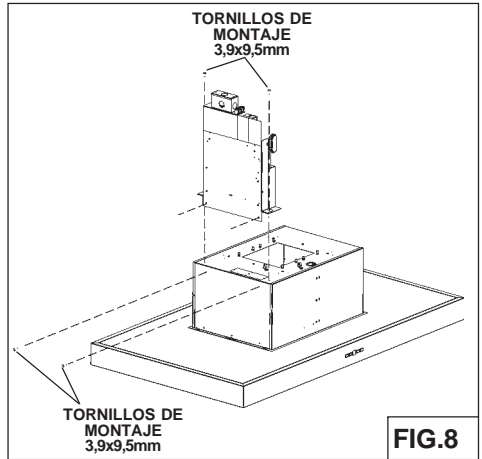
5. Fijar la placa eléctrica con 4 tornillos (3.9x9.5mm) para el capó, los tornillos se colocados en la bolsita para el montaje (Fig. 8).

INSTALACION DE LA CHIMINEA DECORATIVA

INSTALACION CON DUCTO SOLAMENTE

Nota: Habitaciones con techos de 10 o 11 pies de altura requieren tubería de escape modelo AEIPB9SB, disponible con su revendedor. Deseche la chimenea decorativa proporcionada con su campana de cocina y replácelo con la extensión de chimenea más larga.

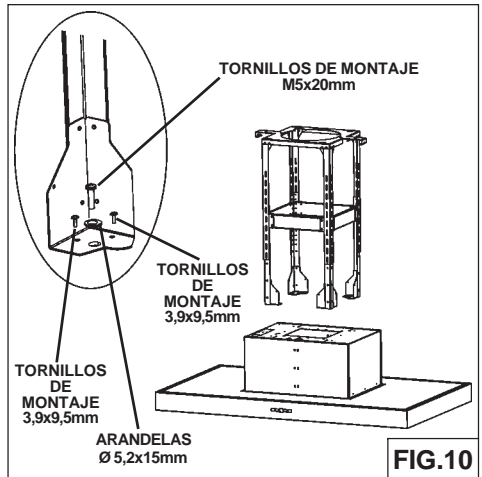
1. Sujete el **conducto superior** a la parte superior del armazón de soporte (Fig. 9).
2. Monte la campana al techo con los (4) tornillos 6x70mm instalados previamente. Estos apriete los tornillos. Instale (2) tornillos de 6x70mm adicionales, como se muestra en la ilustración. Asegúrese de que todos los (6) tornillos estén firmes.
3. Asegure la campana en el techo e instalar el (2) tornillos adicionales (6x70mm).



INSTALACION DEL SISTEMA DE SUJECION

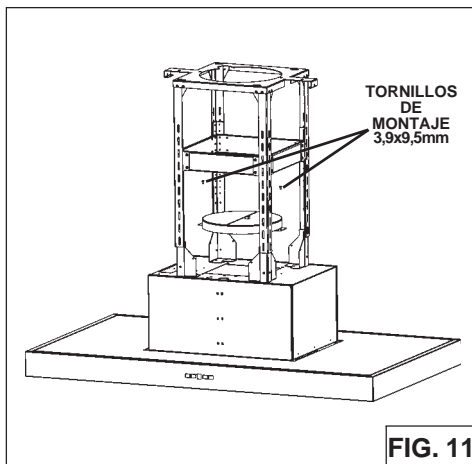
1. Ajuste la altura total del armazón de soporte. Afloje y apriete de nuevo los 4 tornillos en las **ranuras de ajuste de la altura** si es necesario.

Introduzca 8 tornillos (3.9x9.5mm), 4 tornillos (M5x20mm) y 4 arandelas (D.5.2x15mm) colocados en la bolsita para el montaje (Fig. 10).

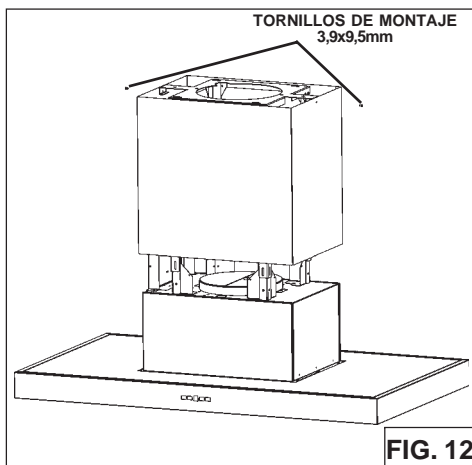


INSTALACION DE LA CHIMINEA DECORATIVA

1. Sujete el **casquillo** a la campana con 2 tornillos de montaje (3,9x9,5mm) colocados en la bolsita para el montaje (Fig.11).



2. Introduzca el **conducto superior** hasta hacerlo tocar el techo, y fíjelo con el tornillo de montaje de 3,9 x9, 5mm (Fig. 12).



INSTALACIÓN ELECTRICA (IPB91QT)

Nota: Este tipo de campana tiene que ser conectada a tierra cuidadosamente. La unidad debe instalarla un técnico electricista siguiendo las normas nacionales y locales.

1. Quite la **tapa de la caja de conexión eléctrica** y saque un cable (Fig.13).
2. Fije el "conduit" a la caja de conexión por medio de un conector idóneo para el "conduit".
3. Haga las conexiones eléctricas, una blanco con blanco, negro con negro y verde con verde.
4. Vuelva a conectar la tapa de la caja de conexión. Compruebe que los cables no queden pillados.

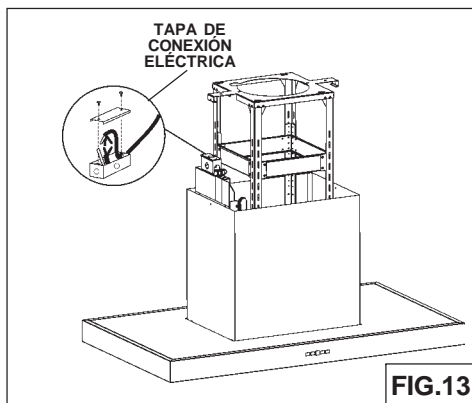


FIG.13

INSTALACIÓN ELECTRICA ADICIONAL DE EXTRACTOR (IPB9E)

1. Pase un cable doble y una toma de tierra del ventilador exterior o "In-Line" hacia la caja de cables de la campana señalada "motor connection" (Fig.14)
2. Quite la cubierta de la caja de cables y quite un knockout.
3. Alimente 6" de cable a través de apertura del "knockout" y asegurado el cable en la caja eléctrica con un conector apropiado.
4. Efectúe las conexiones eléctricas a la campana. Conecte el cable blanco con el blanco, el rojo con el negro y el verde con la toma de tierra.
5. Tape la caja de los cables y atornillela. Asegúrese de que los cables no se queden pillados entre la cubierta y la caja.

Conexión del ventilador exterior:

1. Haga las conexiones eléctricas en el ventilador exterior (vea las instrucciones provistas con el ventilador exterior).

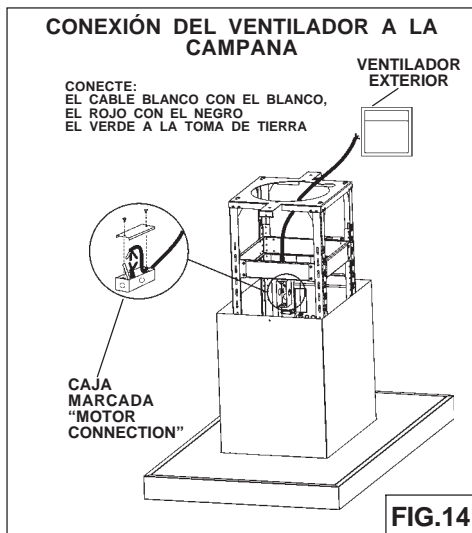


FIG.14

INSTALACION DE LA CHIMINEA DECORATIVA

1. Se adjunta las **dos partes inferiores de conductos** al armazón de soporte mediante la superposición de los imanes laterales (Fig. 15).

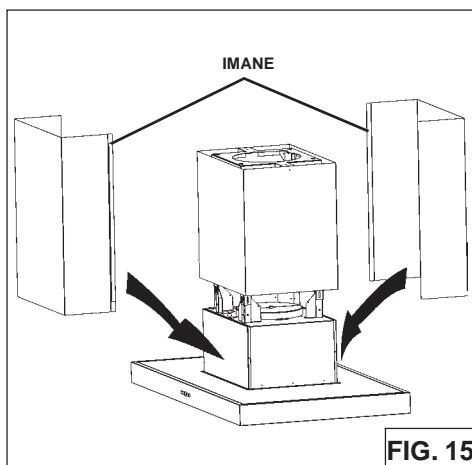


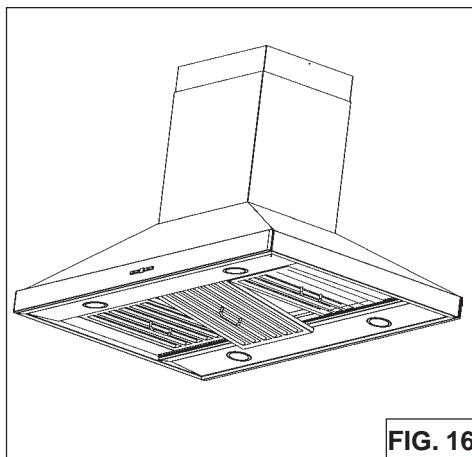
FIG. 15

INSTALACION DE LOS FILTROS

CAMPANAS CON O SIN DUCTOS

Nota: previo a su uso, retire película protectora del marco de filtro.

1. Para quitar el filtro de grasas, (Fig. 16) empuje el filtro hacia el frente hasta que se libere de la guía, después tire del filtro para soltarlo de la campana. Inclinar filtro y quitar.
2. Los filtros de grasas y bandeja colectora deberán ser limpiados frecuentemente. Utilice una solución de detergente tibia.
3. Para instalar filtro de GRASAS, alinear las pestañas del filtro con el resorte en campana. Jale manija, y empuje filtro en posición y suelte. Revise que el filtro este bien asegurado después de su instalación.



CALIBRACIÓN DEL VENTILADOR IQ™

SOLO UNIDADES CON CONDUCTOS DE VENTILADOR INTERNO

Después de instalar y cablear la campana, active el proceso de calibración (nuestra tecnología de sistema de desempeño garantizado, para asegurar que se suministre el flujo de aire nominal total). Antes de la calibración, asegúrese de que todos los filtros, bombillas de luz y el sistema de conductos estén instalados.

PROCESO DE CALIBRACIÓN

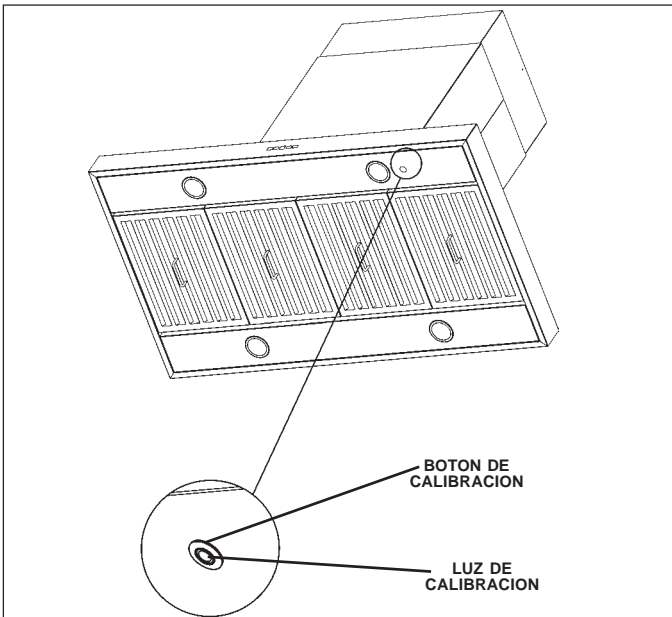
Sostenga el botón de calibración 3 segundos; el botón se encenderá y estará así hasta por 13 minutos. El ventilador arrancará y comenzará el proceso de calibración. Cuando se termine la calibración, ocurrirá una de dos cosas:

1. El ventilador se apaga y la luz del botón de calibración permanece encendida = Calibración exitosa. Presione el botón para apagar la luz LED. Nota: La luz LED también se apagará si selecciona alguna velocidad del ventilador en el control.
2. El ventilador se apaga y el botón de calibración destella continuamente = Demasiada restricción en los conductos impide que el ventilador IQ™ obtenga el flujo de aire nominal. El ventilador se configura automáticamente en su intensidad máxima.

NOTA: Elementos comunes que provocan restricciones: el alerón del regulador está restringido (regulador de contratiro, tapa de pared, tapa de techo), demasiados codos, tamaño de conducto menor del 80% de salida de la campana, mala transición, uso de conductos flexibles y/o conductos aplastados.

Hay disponibles tres opciones si el sistema de campana tiene demasiada restricción:

1. Aceptar el flujo de aire como está.
 - a. Presione el botón de calibración para aceptar el flujo de aire tal cual. El ventilador IQ™ está configurado ahora en el rendimiento más alto posible. La luz de calibración destellante se apaga. Nota: La luz LED también se apagará si selecciona alguna velocidad del ventilador en el control.
2. Corrija la restricción del conducto, despeje los datos de calibración originales y repita el proceso de calibración.
 - a. Corrija la restricción del conducto.
 - b. Despeje los datos de calibración originales manteniendo presionado el botón de calibración durante 10 segundos. La luz destellará 3 veces para confirmar y la configuración del ventilador regresará a los ajustes predeterminados.
 - c. Repita el proceso de calibración desde el principio.
3. Despeje los datos de calibración para reiniciar la campana a la configuración de fábrica y obtener un rendimiento estándar de alta presión del ventilador.
 - a. Despeje los datos de calibración y reinicie la campana a los ajustes predeterminados de fábrica manteniendo presionado el botón de calibración durante 10 segundos. La luz destellará 3 veces para confirmar y la configuración del ventilador regresará a los ajustes predeterminados.



PROCEDIMIENTO DE MODO DE PROGRAMACIÓN IPB9

Procedimiento de modo de programación IPB9E

La campana de cocina está diseñada para trabajar con diferentes modelos de motores extractores. Antes de utilizar la campana, el control deberá ser programado para su modelo de extractor, para poder adquirir la velocidad de operación apropiada:

1. Encuentre el número de SETUP que corresponde a su modelo de extractor que está instalado con su campana de cocina.
2. Su campana debe estar alimentada pero las luces y extractor deben de estar apagados.
3. Presione simultáneamente el botón de LIGHT y el botón de RESET por 5 segundos: la pantalla mostrará una "P" parpadeando 3 veces y después muestra alternando una "P" y el SETUP seleccionado.
4. Seleccione el SETUP deseado con el botón de BLOWER (3→2→1) o botón de RESET (1→2→3).
5. Presione el botón de TIMER para confirmar.
6. La ("P") parpadea en la pantalla 2 veces (2 seg. encendido – 0,5 seg. apagado) guardando la selección de SETUP.

Descripción de "Nivel de Velocidad"

Setup 1 es para motores con clasificación hasta 3.0 amp

Setup 2 es para motores con clasificación entre 3.1 amp y 5.0 amp

Setup 2 es para motores con rango mayor de 5.1 a 6 amp

SETUP 1	SETUP 2	SETUP 3
EB6	EB12	EB9
ILB3	EB15	ILB11
ILB6	ILB9	

GARANTIA

GARANTIA BEST POR UN AÑO

Broan-NuTone LLC (Broan-NuTone) garantiza al consumidor-comprador de sus productos BEST que dichos productos no tendrán defectos en los materiales o fabricación, durante un período de un año a partir de la fecha de la compra. NO HAY OTRO TIPO DE GARANTIAS QUE INCLUYAN O SE LIMITEN EXCLUSIVAMENTE A GARANTIAS IMPLICITAS O DE CAPACIDAD COMERCIAL O CONVENIENCIA PARA UN PROPOSITO ESPECIFICO.

Durante el periodo de un año, Broan-NuTone, si lo estima conveniente, reparará o reemplazará sin gastos para el usuario cualquier producto o parte de éste que sea defectuosos habiéndose usado correctamente.

ESTA GARANTIA NO CUBRE: ESTARTER DE NEON, NEON, LÁMPARAS HALÓGENAS, LÁMPARAS DE ILUMINACIÓN, FUSIBLE, FILTROS, CONDUCTOS, TAPAS DE TECHO, TAPAS DE PARED Y OTROS ACCESORIOS PARA LOS CONDUCTOS. Tampoco cubre el mantenimiento ni los productos o partes de éstos que hayan sido usados de forma incorrecta, con negligencia, rotos accidentalmente o por una incorrecta manutención ó reparación (distinta da la realizada por Broan-NuTone), montaje incorrecto ó instalación que no se ajuste a las instrucciones de montaje indicadas.

La duración de la garantía se limita al periodo de un año como está especificado en la garantía explícita. Algunos países no permiten un límite en la duración de la garantía implícita; si es así en su caso, esta limitación arriba indicada podría no aplicarse.

LA PRESENTE GARANTIA CUBRIRA EXCLUSIVAMENTE AL COMPRADOR LOS SERVICIOS DESCRITOS ANTERIORMENTE. BROAN-NUTONE NO SE HACE RESPONSABLE DE DANOS PRODUCIDOS DE MANERA ACCIDENTAL O RELACIONADOS CON EL USO INCORRECTO DEL PRODUCTO O SU FUNCIONAMIENTO.

Algunos países no permiten la exclusión o limitación de los daños producidos de manera accidental, si es así en su caso, esta limitación arriba indicada podría no aplicarse. Esta garantía le da derechos legales específicos y podría también disponer de otros derechos que varían de país a país.

Esta garantía supera otras garantías dadas con anterioridad. Para disfrutar de la garantía usted deberá (a) Avisar a la dirección abajo indicada ó bien llamar por teléfono (b) Dar el número de serie del modelo correspondiente o bien una descripción de la parte averiada. (c) Descripción del defecto en el producto o bien en una de sus partes. Para requerir un servicio en garantía debe presentar el justificante con la fecha de la compra.

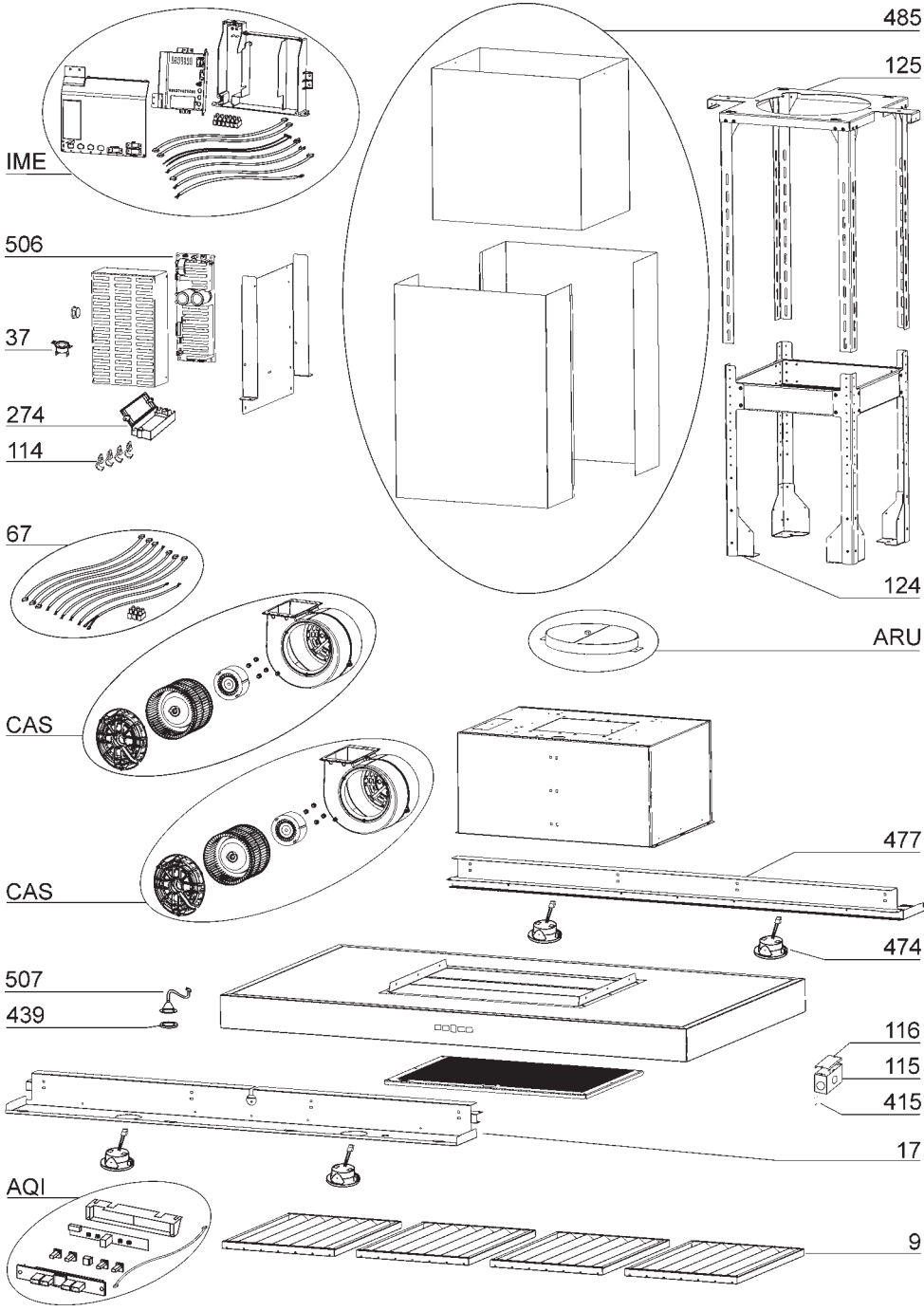
In USA - Best®, 926 W. State Street, Hartford, WI 53027 (800-558-1711)
In Canada - Best®, 550 Lemire Blvd., Drummondville, QC J2C 7W9 (866-737-7770)
www.BestRangeHoods.com

PIEZAS DE REPUESTO

MODELO IPB9IQT

N.	PIEZA NO.	DESCRIPCIÓN
9	B08087951	Filtros de grasa
17	BE3351928	Soporte del difusor de luz
37	B02300804	Sensor de temperatura
67	B06102611	Ensamble de cables
114	B03292499	Abrazadera de cables
115	BE3350233	Caja de alimentación eléctrica
116	BE3334252	Tapa de caja de alimentación eléctrica
124	B08093422	Estructura telescópica inferior
125	B08093431	Estructura telescópica superior
202	B03292063	Abrazadera de cables
274	B03295035	Caja fusible
415	B03292596	Guíacables
439	B02320034	Ojal
474	B02300918	Lámpara halógena
477	BE3351945	Soporte del difusor de luz posterior
485	B08016373	Ensamble de chimenea decorativa
506	97019434	BLDC Driver
507	B06102584	Ensamble de botón de calibración
AQI	B06102596	Ensamble de la caja de interruptores
ARU	BE3405192	Conector del tubo 10"
IME	B06145225	Ensamble de instalación eléctrica
CAS	B06002259	Ensamble de extractor
*	B080811011	Equipo de Ajuste (Incluye N° ARU)

* No se muestra ensamblado.

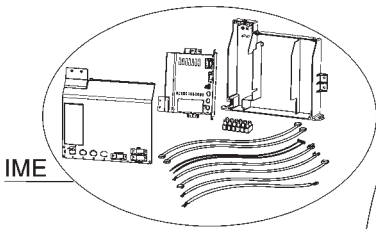


PIEZAS DE REPUESTO

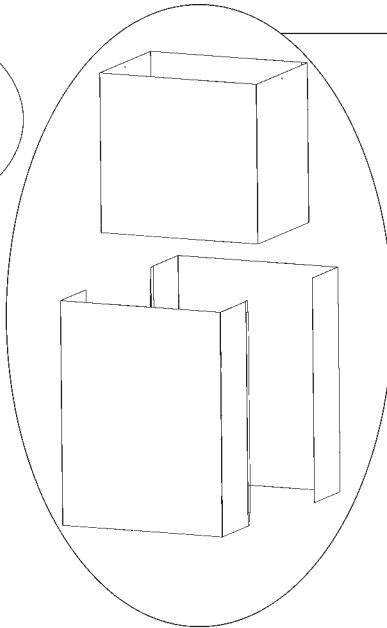
MODELO IPB9E

N.	PIEZA NO.	DESCRIPCIÓN
9	B08087951	Filtros de grasa
17	BE3351928	Soporte del difusor de luz
37	B02300804	Sensor de temperatura
67	B06102612	Ensamble de cables
114	B03292499	Abrazadera de cables
115	BE3350233	Caja de alimentación eléctrica
116	BE3334252	Tapa de caja de alimentación eléctrica
124	B08093422	Estructura telescópica inferior
125	B08093431	Estructura telescópica superior
202	B03292290	Abrazadera de cables
274	B03295035	Caja fusible
415	B03292596	Guíacables
474	B02300918	Lámpara halógena
477	BE3351945	Soporte del difusor de luz posterior
485	B08016373	Ensamble de chimenea decorativa
AQI	B06102605	Ensamble de la caja de interruptores
ARU	BE3405192	Conector del tubo 10"
IME	B06145226	Ensamble de instalación eléctrica
*	B080811011	Equipo de Ajuste (Incluye N° ARU)

* No se muestra ensamblado.

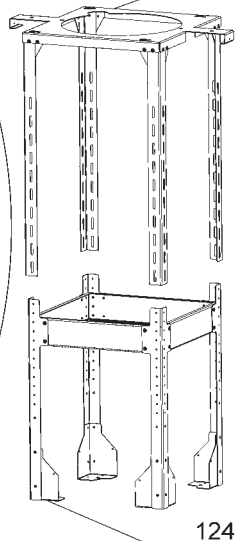


IME



485

125



124

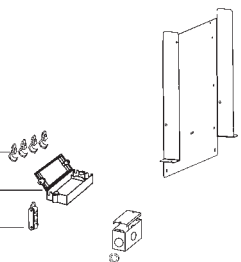
ARU

37

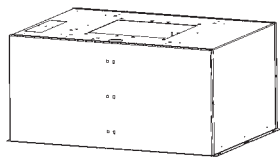
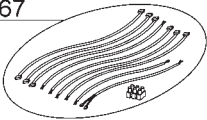
114

274

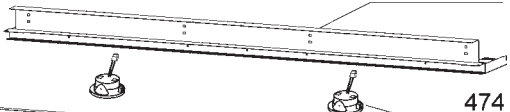
202



67



477



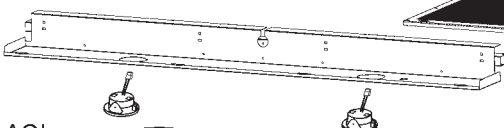
474



116

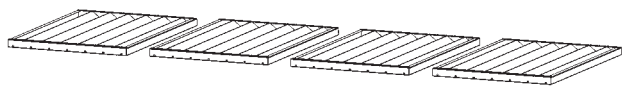
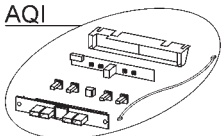
115

415



17

AQI



9