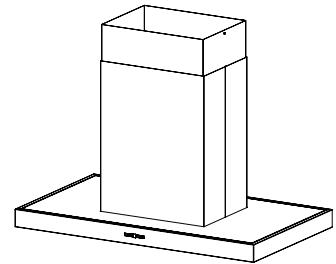


# GORGONA IPB9IQ SERIES RANGE HOOD



This design embodies the clean European style that has become a traditional favorite. Gorgona is an island hood rarely seen with the power and features it includes.

### FEATURES

- Italian design
- Ceiling mounted island hood
- Finishes: 430 Stainless Steel, #4 Brushed
- Width: 48-in. Depth: 27-in.
- Ducted telescopic flue accommodates 8' to 9' ceilings
- 10" round duct connector/backdraft damper
- 2-level halogen lamps (4 - T4, G9, 25-Watt)
- Three-speed plus boost, electronic controls
- Quiet iQ12 blower system with high-efficiency BLDC motor
- Heat Sentry™ - automatically turns blower to high speed when excess cooking heat is detected
- Delay timer control automatically shuts off range hood after 10 minutes
- Special control indicates when it's time to clean the filter
- Dishwasher-safe, mesh lined, Hi-Flow™ baffle filters
- For indoor use only

### OPTIONS (Not included with hood. Purchase separately.)

- Flue extension for 10-ft. to 11-ft. ceilings (Model AEIPB9SB, stainless steel)
- Remote control (Model ACR3)
- Universal Make-Up Air Damper (Models MD6TU, MD8TU, MD10TU)

### SPECIFICATIONS

VOLTS	AMPS	CFM / SONES (Boost)	CFM / SONES (High Speed)	CFM / SONES (Med. Speed)	CFM / SONES (Low Speed)	DUCT
120	8.4	1100 / 11.0	880 / 7.5	615 / 4.0	295 / <0.3	10" round

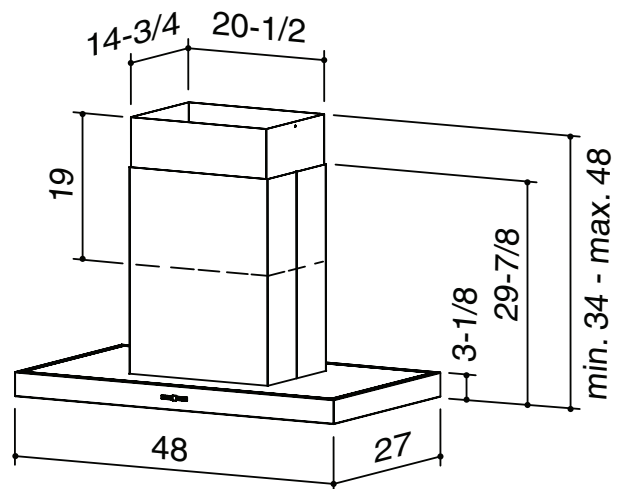


This product was tested by Broan-NuTone for airflow performance using the ANSI/AMCA 210 Standard, which is equivalent to the Home Ventilating Institute HVI 916 - Procedure for Air Flow Testing, and tested for sound performance using the ANSI S12.51 Standard, which is equivalent to the Home Ventilating Institute HVI 915 - Procedure for Loudness Rating of Residential Fan Products.

BEST Hartford, Wisconsin [www.BestRangeHoods.com](http://www.BestRangeHoods.com) 800-558-1711  
 BEST Drummondville, QC, Canada [www.BestRangeHoods.com](http://www.BestRangeHoods.com) 866-737-7770

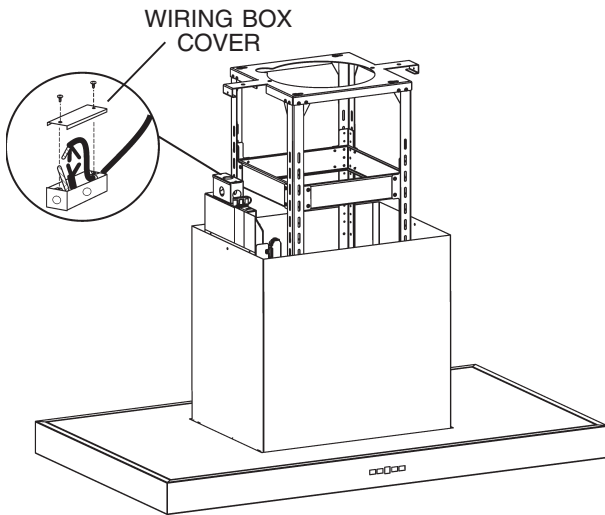
### iQ12 - 1200 CFM Blower System providing:

- Best in class quiet operation.
- Up to 30% faster smoke and odor removal than comparable models.
- Up to 22x more energy efficient than comparable models.
- Guaranteed Performance System (GPS) technology calibrates the hood system to every installation to provide up to 30% more CFM than standard range hoods.
- Using a duct reducer with this hood may prevent the product from calibrating.

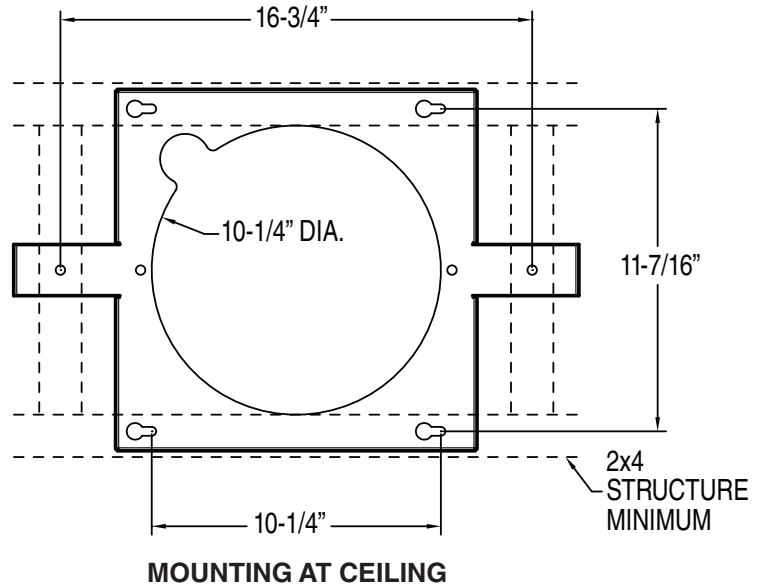
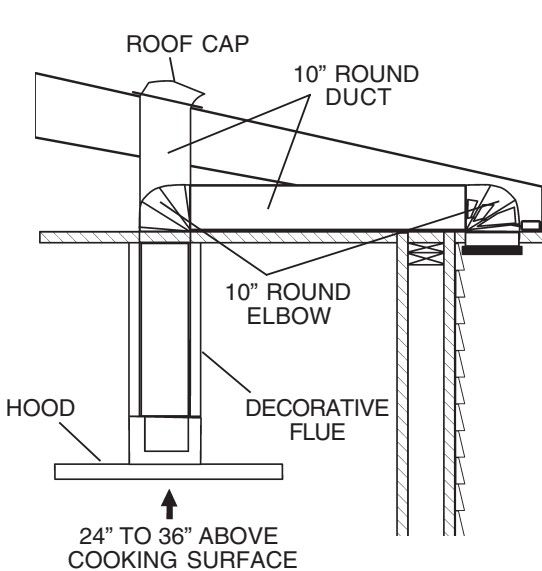


REFERENCE	QTY.	REMARKS	Project
			Location
			Architect
			Engineer
			Contractor
			Submitted by
			Date

# IPB9IQ SERIES WIRING



# IPB9IQ SERIES MOUNTING



CEILING HEIGHT	HOOD DISTANCE ABOVE 36\"/>												
	ASSEMBLED SUPPORT FRAME HEIGHT (IN.)												
8 FEET	23 <sup>3</sup> / <sub>8</sub> \"/>												
9 FEET	---	---	34 <sup>3</sup> / <sub>8</sub> \"/>										
10 FEET (see note b.)	47 <sup>3</sup> / <sub>8</sub> \"/>												
11 FEET (see note b.)	---	58 <sup>3</sup> / <sub>8</sub> \"/>											

--- Mounting height is not possible.

- Minimum hood distance above cook top must not be less than 24\"/>
- Requires optional 10-ft. to 11-ft. flue extension, ducted model AEIPB9SB.

