

Job Name/Location:

Tag #:

Date:

For: File Resubmit

PO No.:

Approval Other

Architect:

GC:

Engr:

Mech:

Rep:

(Company)

(Project Manager)

LA150HYV2

Single Zone Wall Mounted Art Cool™ Premier

Outdoor Unit (ODU) - LAU150HYV2 Indoor Unit (IDU) - LAN150HYV2



Performance:

Cooling:

Capacity (Min-Rated-Max, Btu/h)	3,070-15,000-21,000
SEER	24
EER	13.48

SEER - Seasonal Energy Efficiency Ratio EER - Energy Efficiency Ratio

Heating:

Capacity (Min-Rated-Max, Btu/h)	3,070-18,000-25,200
HSPF	12.5

HSPF - Heating Seasonal Performance Factor

Cooling Nominal Test Conditions:

Indoor: 80°F DB/67°F WB
Outdoor: 95°F DB/75°F WB

Heating Nominal Test Conditions:

Indoor: 70°F DB/60°F WB
Outdoor: 47°F DB/43°F WB

Electrical:

Power Supply (V ¹ /Hz/Ø)	208-230/60/1
-------------------------------------	--------------

Outdoor Unit:

MOP (A)	25
MCA (A)	19
Cooling Rated Amps (A)	15.0
Heating Rated Amps (A)	15.0
Compressor (A)	14.5
Fan Motor (A)	0.5

MOP - Maximum Overcurrent Protection MCA - Minimum Circuit Ampacity

Total Power Input:

Cooling Power Input (kW)	1.113
Heating Power Input (kW)	1.385

Piping:

Liquid Line (in, OD)	3/8
Vapor Line (in, OD)	5/8
Additional Refrigerant (oz/ft)	0.38
Min/Max Pipe Length (ft) ² :	9.8/98.4
Piping Length (no add'l refrigerant, ft)	24.6
Max Elevation (ft)	65.6

Controls Features:

- 24-Hour on/off timer
- 4-Way auto swing
- Auto changeover
- Auto restart
- Built-in low ambient operation to 14°F
- Chaos wind
- Condensate sensor connection
- Defrost control
- Dehumidifying mode
- Hot start
- Jet cool/Jet heat
- Self cleaning indoor coil
- Self diagnosis
- Sleep mode
- Soft dry operation
- Ultra quiet operation
- Cooling only function
- 3M Micro Protection Filter
- Smart AC module

Optional Accessories (sold separately):

- PI-485 - PMNFP14A1
- LG Programmable Thermostat - PREMTB10U
- Dry Contact for third party thermostat - PDRYCB300
- Low Ambient Wind Baffle (Cooling operation to 0°F) - ZLABGP02A

For a complete list of available accessories, contact your LG representative.

For continual product development, LG reserves the right to change specifications without notice.

© LG Electronics U.S.A., Inc., Englewood Cliffs, NJ. All rights reserved. "LG Life's Good" is a registered trademark of LG Corp. /www.lghvac.com

Operating Range:

Outdoor Unit:

Cooling (°F DB)	14-118
Heating (°F WB)	-13-65

Indoor Unit:

Cooling (°F WB)	53-75
Heating (°F DB)	60-86

Unit Data:

Refrigerant Type	R410A
Refrigerant Control	EEV
Refrigerant Charge (lbs)	4.19
ODU Sound Pressure (Max) ±3 dB(A) ³	57
IDU Sound Pressure	
Cooling (H/M/L/Sleep) ±3 dB(A) ³	47/42/37/29
Heating (H/M/L) ±3 dB(A) ³	47/42/37
ODU Net Unit Weight (lbs)	122
ODU Shipping Weight (lbs)	131
IDU Net Unit Weight (lbs)	34
IDU Shipping Weight (lbs)	38
Heat Exchanger Coating	GoldFin™

Fan:

ODU Type	Propeller
IDU Type	Cross Flow
Fan Speeds (Fan/Cooling/Heating)	6/6/6
Quantity (ODU + IDU)	1 + 1
Motor/Drive	Brushless Digitally Controlled/Direct
ODU Max Air Flow Rate (CFM)	2119
IDU Air Flow	
Cooling, Max/H/M/L (CFM)	741.5/565.0/423.7/317.8
Heating, Max/H/M/L (CFM)	776.9/600.3/459.0/353.1
Dehumidification (pts/hr)	3.8

Notes:

1. Acceptable operating voltage: 187V - 253V.
2. Piping lengths are equivalent.
3. Sound Pressure levels are tested in an anechoic chamber under ISO Standard 1996.
4. All power/communication cable to be minimum 18 American wire gage (AWG), 4-conductor, stranded, shielded or unshielded wire and must comply with applicable local and national code. If shielded, the wire must be grounded to the chassis at the outdoor unit only.
5. See Engineering Manual for sensible and latent capacities.
6. Power wiring cable size must comply with the applicable local and national code.
7. The indoor unit comes with a dry helium charge.
8. This data is rated 0 ft above sea level, with 24.6 ft of refrigerant line and a 0 ft level difference between outdoor and indoor units.
9. Must follow installation instructions in the applicable LG installation manual.



Job Name/Location:

Outdoor Unit (ODU) - LAU150HYV2

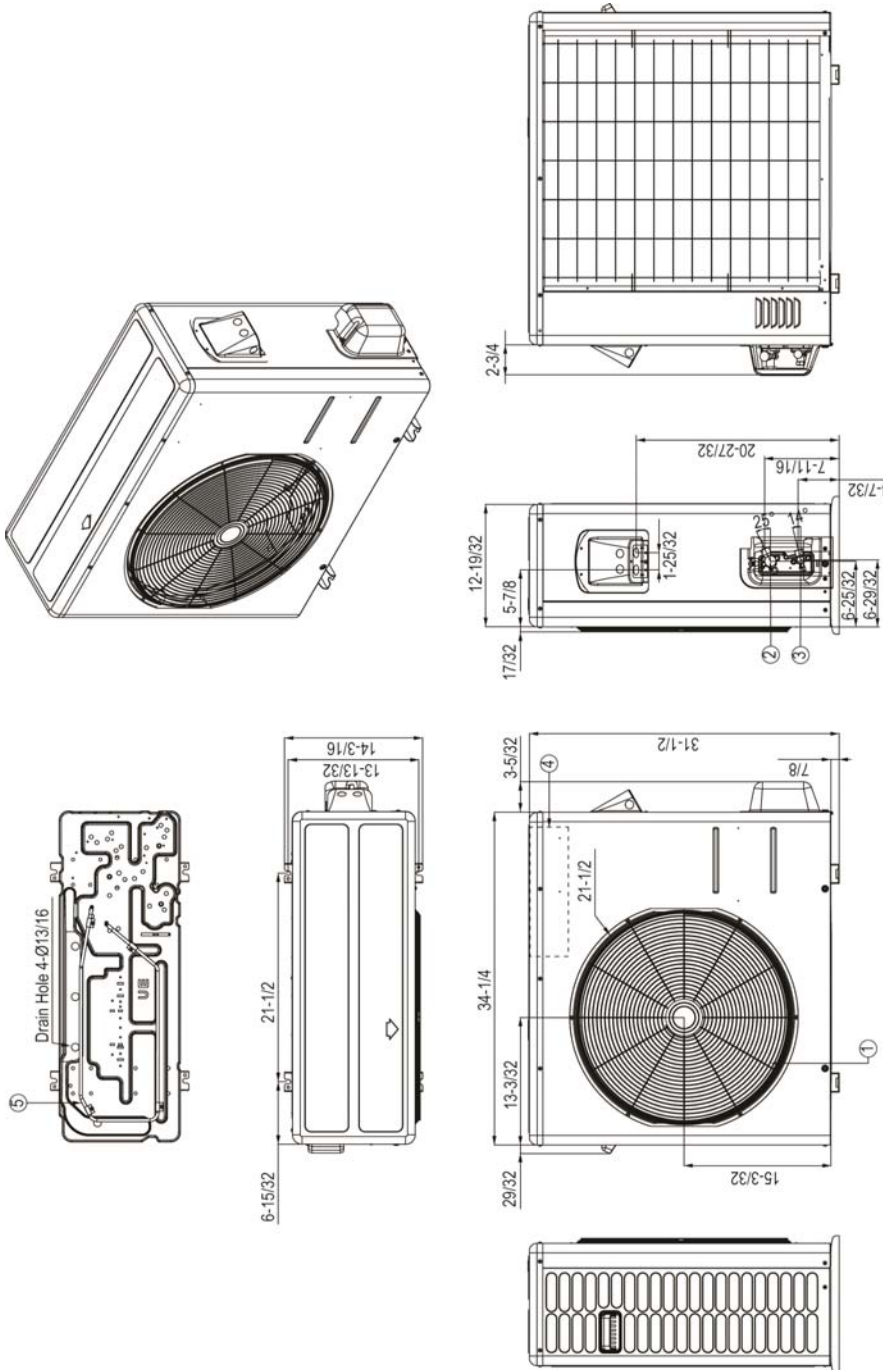
Single Zone Wall Mounted Art Cool™ Premier



Tag #:

Date:

PO No.:



No	Part Name	Remark
1	Air Discharge Grille	
2	Gas Pipe Connection Port	
3	Liquid Pipe Connection Port	
4	Control Box	
5	Sheath Heater	

Unit: inch

