

Manufacturers & Distributors of Quality Stainless Steel Electric Grills

Electri - Chef®

FLAMELESS ELECTRIC GRILLS

4400-EC-448-PB-S-32”



Grill Assembled
(anchoring required before use)



S.S. Cooking Grids



Folding Shelves



10-60 Minute Timer

Built in Texas by Texans

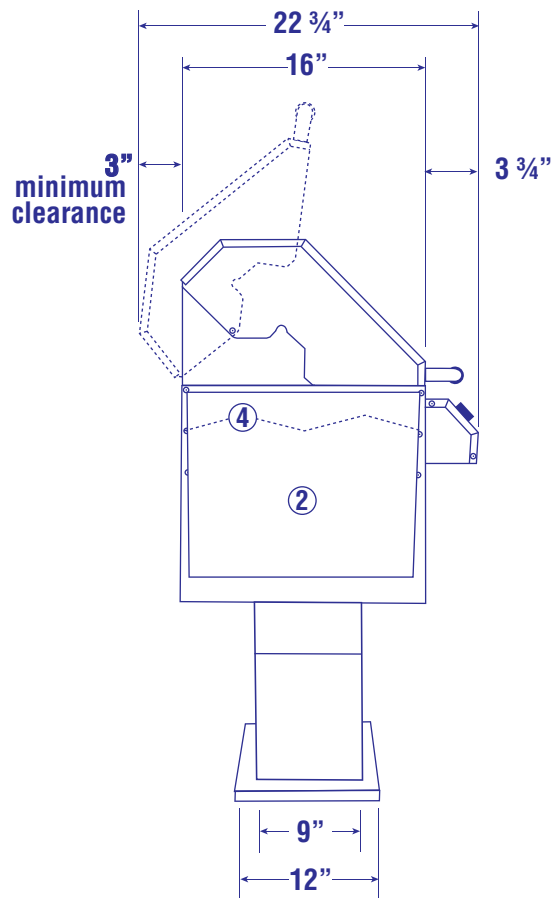
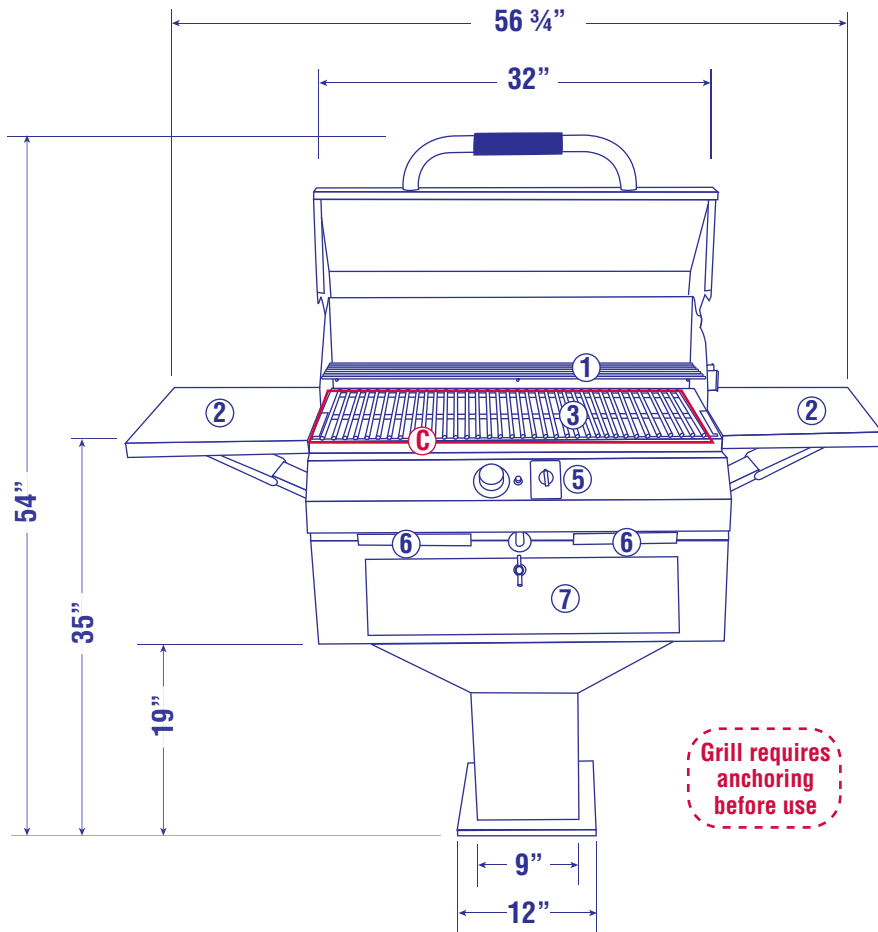
See back for more information



No Open Flame

800-442-7207 • 254-778-7730 • www.electri-chef.com • e-mail: info@electri-chef.com

4400-EC-448-PB-S-32"



Grill requires anchoring before use

Standard Features

- 18 Gauge, 304 Stainless Steel, #3 Finish
- Grill Dimensions
 - 56 3/4" Wide (Left to Right with shelves up)
 - 16" Deep (Front to Back - requires 3" minimum clearance in back for open hood)
 - 35" High (Floor to Cooking Area - 54" with lid open)
 - Adjustable Cooking Temperature from 150° - 600°
- ⓐ Cooking Area 448 sq. in. (14" x 32")
- ⓑ Stainless Steel Warming Rack
- ⓒ Folding Side Shelves
- ⓓ Stainless Steel Cooking Grids (4)
(5/16" x 8" x 14" - fits in dishwasher)
- ⓔ Stainless Steel Heat-Flavor Plate
- ⓕ 10-60 Minute Timer
- ⓖ Removable Grease Trays (2)
- ⓗ Stainless Steel Door (24" x 6 1/2" with T-handle)

Required Outlet NEMA 6-30R Receptacle



208/220 Volt 30 Amp receptacle
50/60 Hz



w/ weathercap

Warranties

LIFETIME WARRANTED - The Stainless Steel Grill Assemblies and Cooking Grids of this product are warranted for the lifetime of the original consumer purchaser from the date of purchase, against defects in materials and workmanship.

1 YEAR WARRANTED - All other components, electrical or mechanical are warranted to the original consumer purchaser for a minimum of one (1) year from the date of purchase or the warranty time of the manufacture of the component, electrical or mechanical, which ever warranty time period is longer, against defects in materials and workmanship.



When only the best will do!



No Open Flame