

# 48" Range Insert Hood

## Model: DAR 1150



### DAR 1150

#### Features:

- Recessed knob controls
- Dishwasher-safe stainless steel Baffle Filters
- 4 Fan speeds including Intensive
- Hood interior with CleanCover
- LED ClearView lighting
- Auto-Vent safety sensor

#### SPECIFICATIONS

##### DAR 1150 — Item 28115050USA

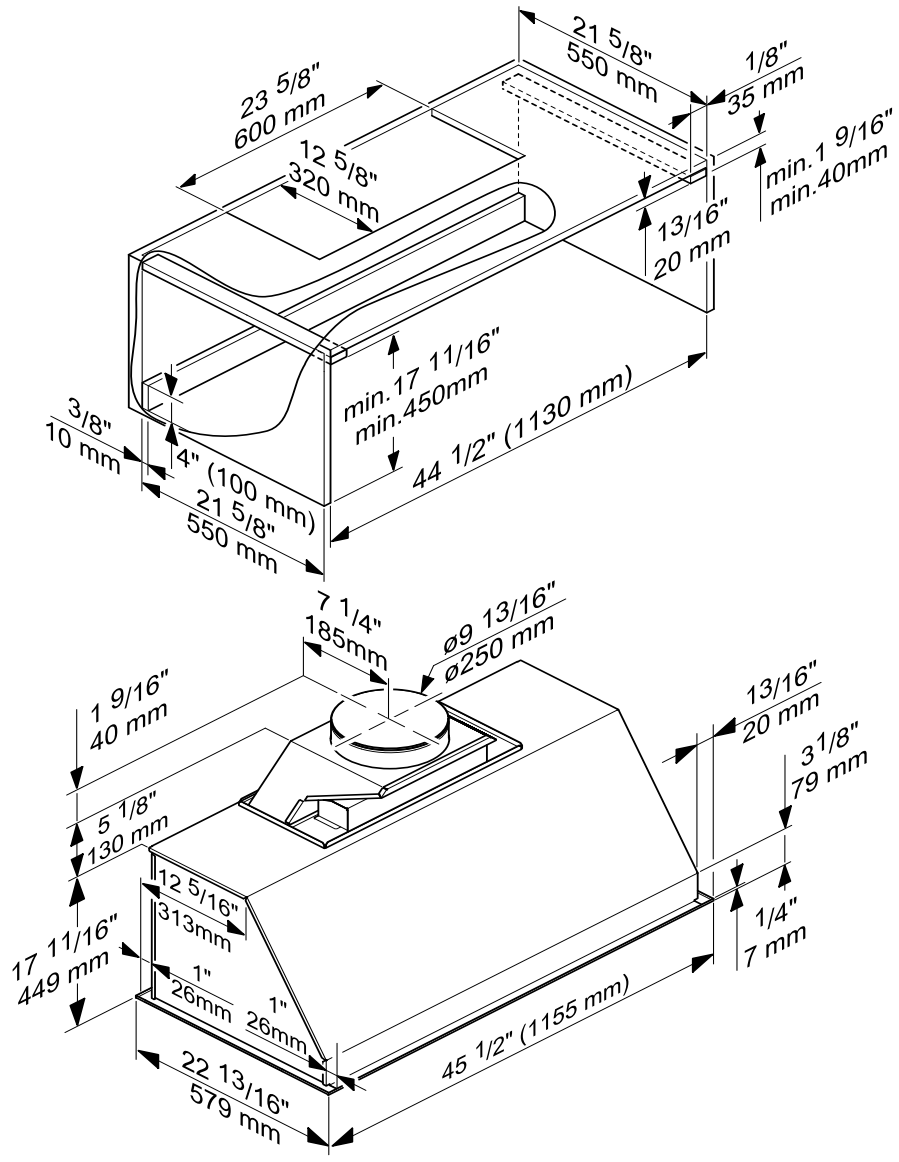
Overall Unit Width	45 <sup>1</sup> / <sub>2</sub> " (1155mm)
Overall Height	17 <sup>11</sup> / <sub>16</sub> " (449mm)
Overall Unit Depth	22 <sup>13</sup> / <sub>16</sub> " (579mm)
<b>Lighting</b>	
Number of lights and wattage	4 LED lights @ 2 watts each
<b>Electrical</b>	
Electrical Requirements	120V, 60Hz, 15 Amps
Power Cord	Yes - NEMA 5-15 plug, length 2' 6" (0.75 m)
<b>Shipping</b>	
Shipping Weight	92.6 lbs. (42kg)
Shipping Dimensions	52 <sup>3</sup> / <sub>4</sub> " (1340mm) W x 28" (710mm) H x 29 <sup>3</sup> / <sub>16</sub> " (740mm) D
<b>Support</b>	
Call Miele	800.843.7231
Miele Website	<a href="http://www.mieleusa.com">www.mieleusa.com</a>
20/20 Link	<a href="http://2020technologies.com">2020technologies.com</a>

# 48" Range Hood Insert

## Model: DAR 1150



### PRODUCT VIEW



For distance between cooktop and ventilation hood please see manual for further detail.

# 48" Range Hood Insert

## Model: DAR 1150



### VENTILATION GUIDE

The following combinations of appliances are possible:

	Air Venting with Internal Blower	Air Venting with External Blower	Air Recirculation	Duct Cover
Range Insert DAR 1120 30"	Blower DRIB XL=700 cfm or (DRIB XXL=1100 cfm)*	Blower DREB XL=700 cfm or (DREB XXL=1100 cfm)*	-	-
Range Insert DAR 1130 36"	Blower DRIB XL=700 cfm*** or DRIB XXL=1100 cfm	Blower DREB XL=700 cfm*** or DREB XXL=1100 cfm	-	-
Range Insert DAR 1150 48"	Blower DRIB XXL=1100 cfm	Blower DREB XXL=1100 cfm	-	-
Range Wall Hood DAR 1220 30"	Blower DRIB XL=700 cfm or (DRIB XXL=1100 cfm)*	Blower DREB XL=700 cfm or (DREB XXL=1100 cfm)*	Blower DRIB XL + Recirculation kit DRUU 30**	DRDC 3006 (6") DRDC 3012 (12") DRDC 3018 (18") DRDC 3024 (24")
Range Wall Hood DAR 1230 36"	Blower DRIB XL=700 cfm*** or DRIB XXL=1100 cfm	Blower DREB XL=700 cfm*** or DREB XXL=1100 cfm	DRIB XL + Recirculation kit DRUU 36**	DRDC 3606 (6") DRDC 3612 (12") DRDC 3618 (18") DRDC 3624 (24")
Range Wall Hood DAR 1250 48"	DRIB XXL=1100 cfm	DREB XXL=1100 cfm	-	DRDC 4806 (6") DRDC 4812 (12") DRDC 4818 (18") DRDC 4824 (24")

\*Combination not recommended

\*\*The DRDC Duct Cover can also be installed above the recirculation kit.

\*\*\*Can not be combined with HR 1134 G/LP, HR 1934 DF G/LP, KMR 1134 G/LP