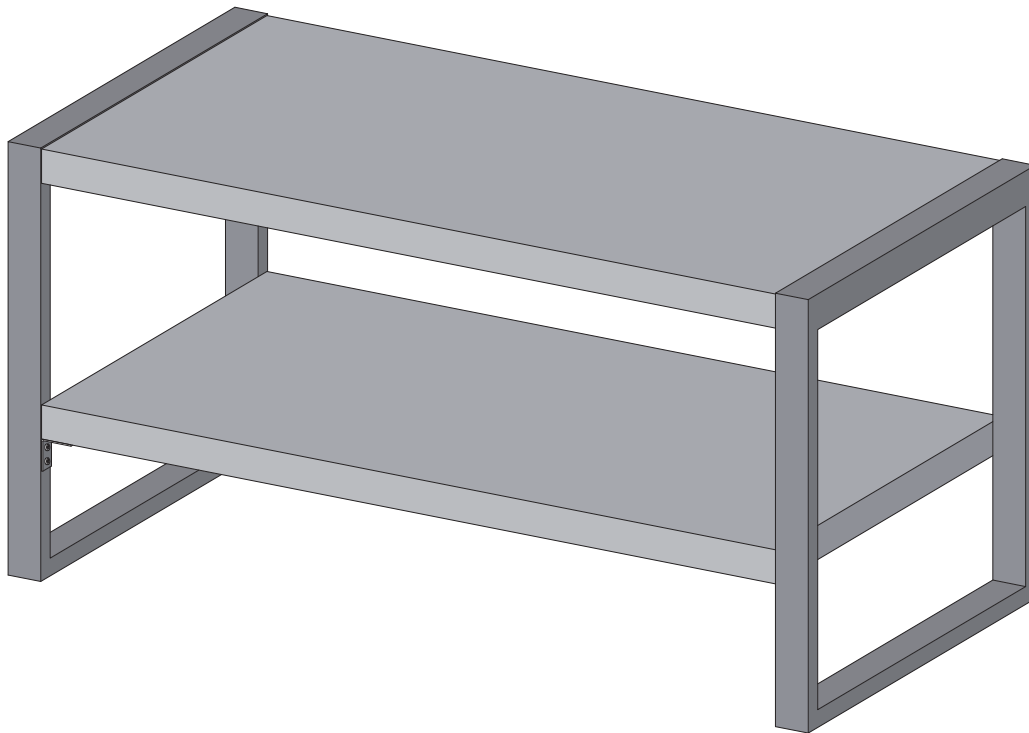


W Walker
E Edison
furniture company

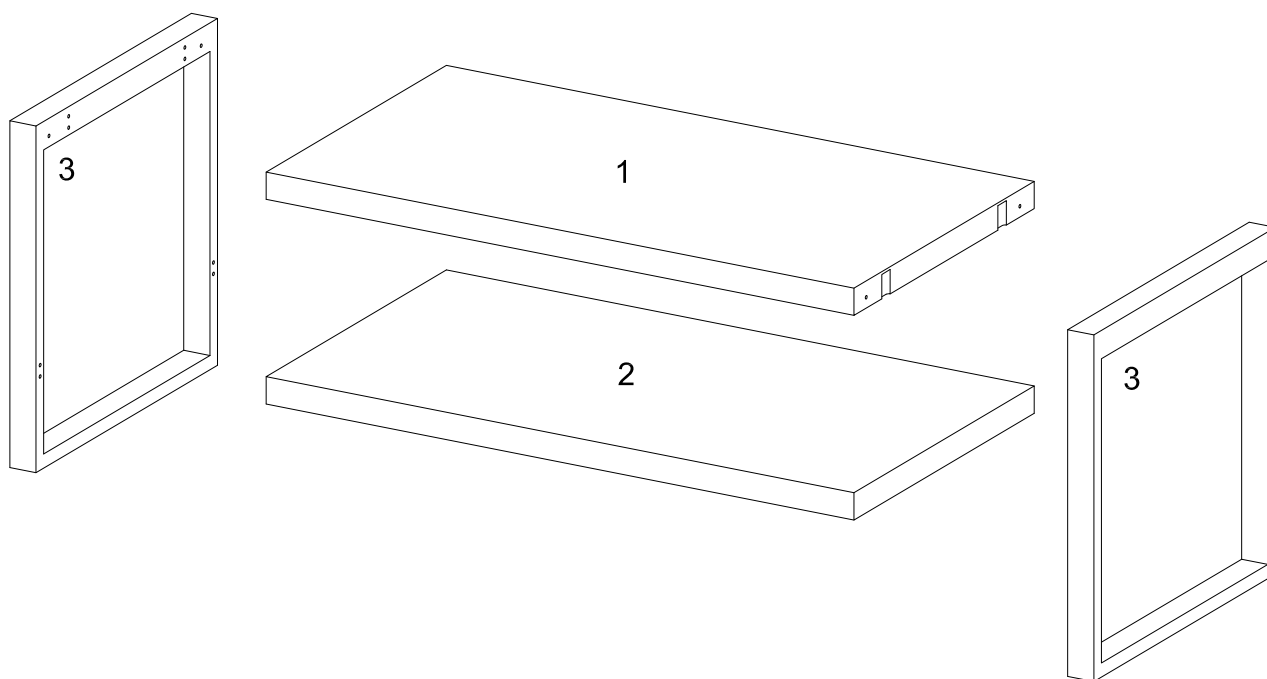
Item # : W48CGCTCL
Assembly Instructions



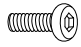
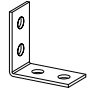



For our most current instructions, to request missing, lost or broken parts, or for any other Customer Service issues, please visit our website at www.walkeredison.com or call us at 877-207-5906.

Revised 05/2014

Parts List

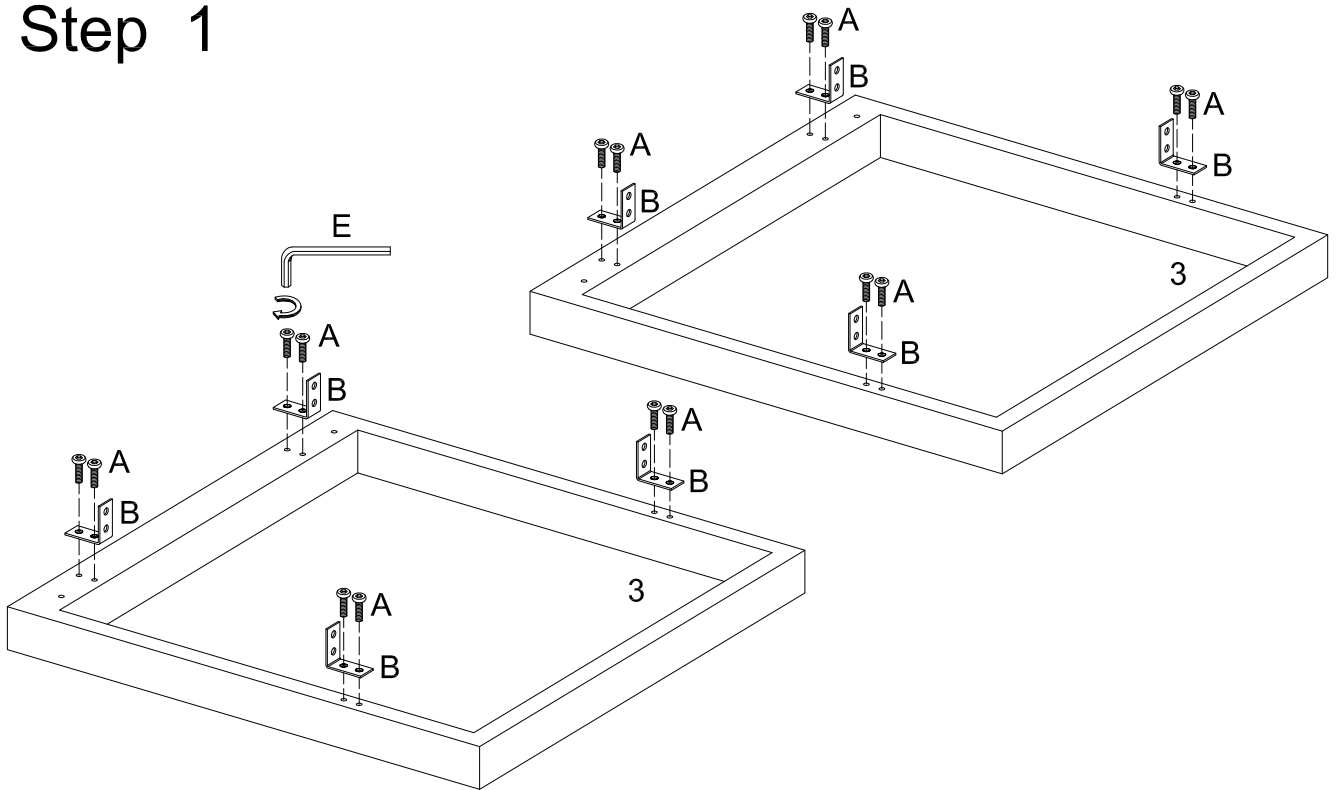


Hardware List

A		M6*12mm	Bolts	32 pcs
B			L-shape connector	8 pcs
C		M6*60mm	Bolts	4 pcs
D			Washer	4 pcs
E		M6	Wrench	1 pc

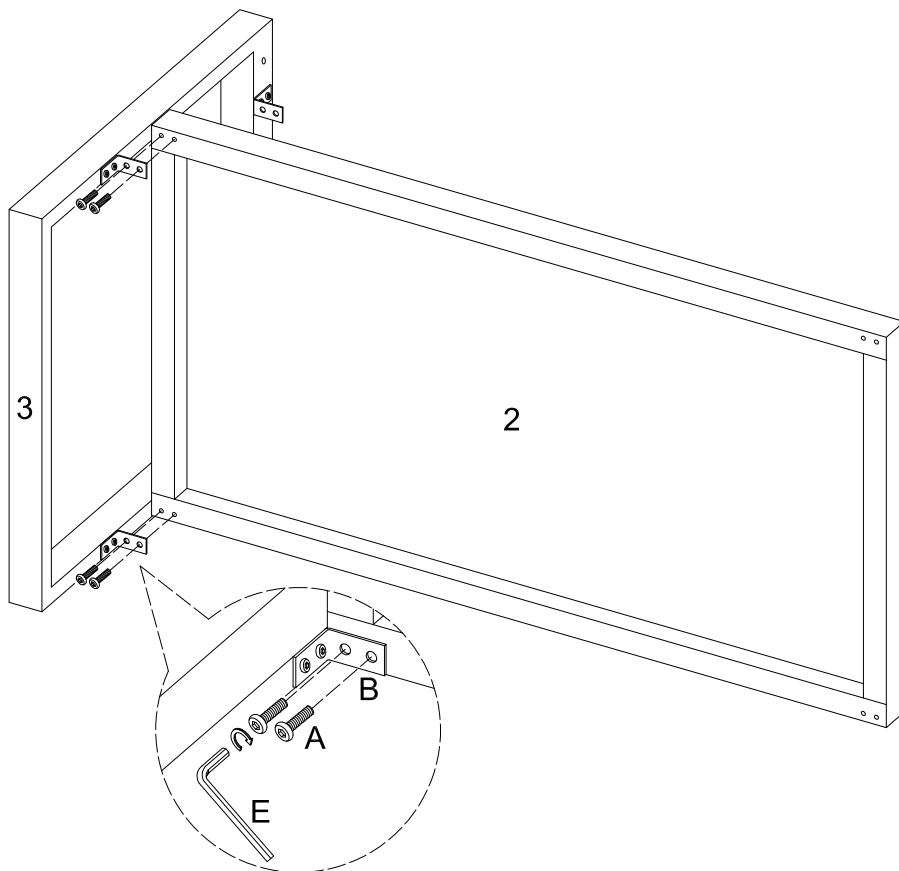
*The hardware quantities listed above are required for proper assembly.
Some extra hardware may also have been included.*

Step 1



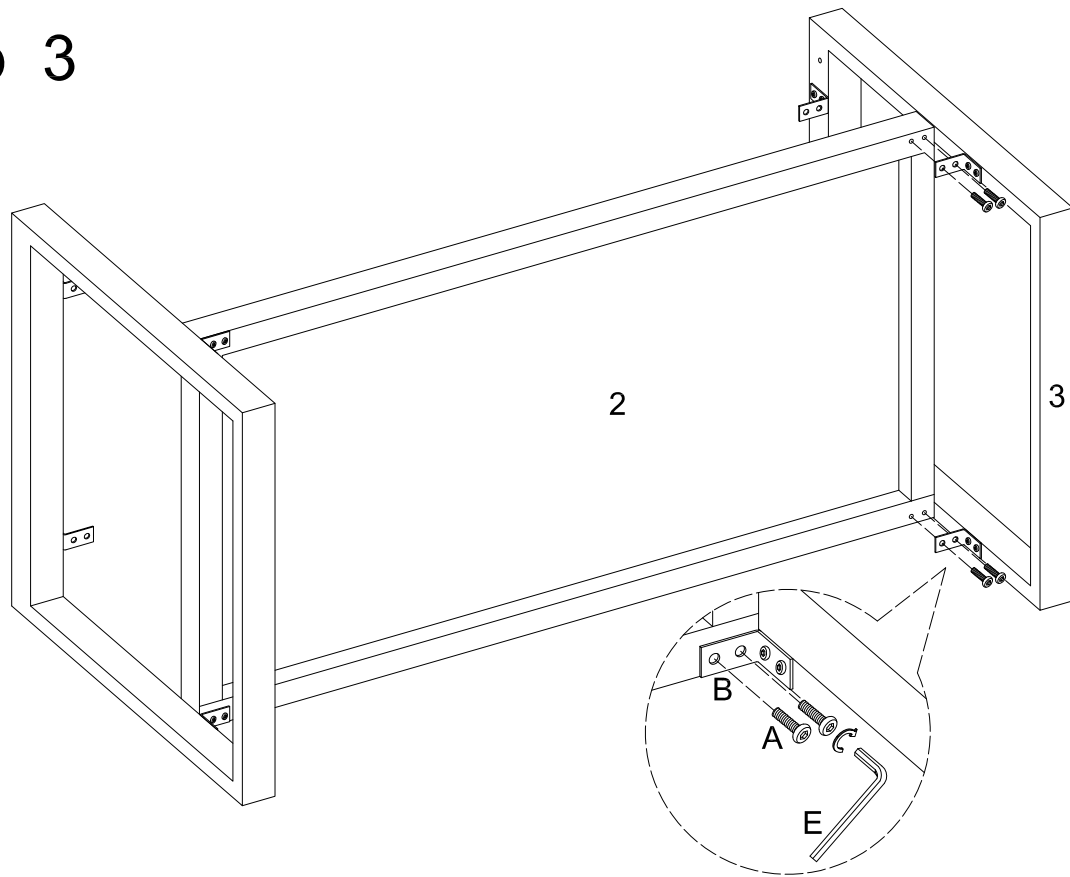
Place the Metal Frames (3) on the flat Surface, attached the L-shape connector (B) with the Bolts (A) and Wrench (E) as per diagram.

Step 2



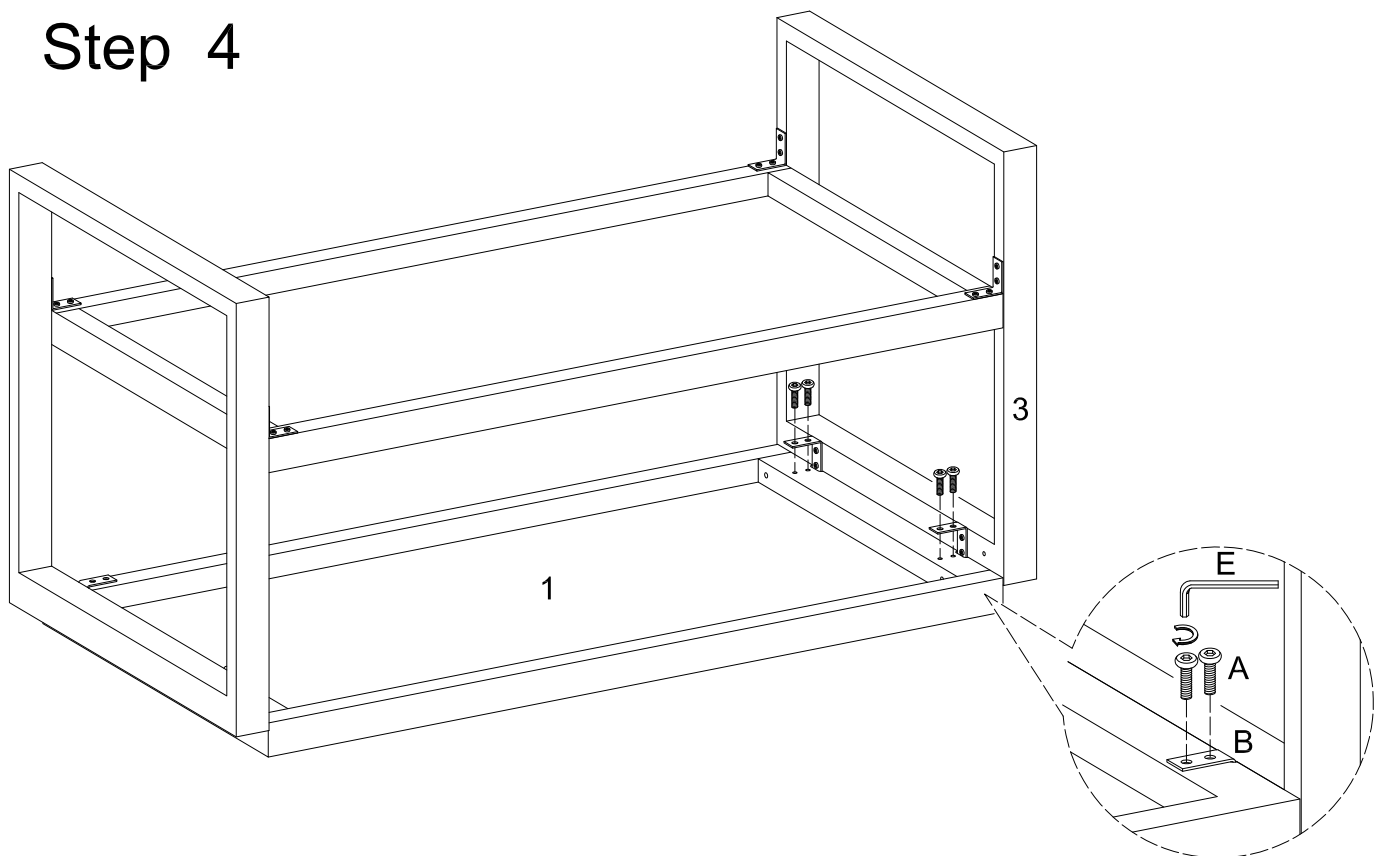
Attach the Lower Wooden Panel (2) to the Metal Frame (3) with Bolts (A), L-Shape Connector (B) and Wrench (E) for one side.

Step 3



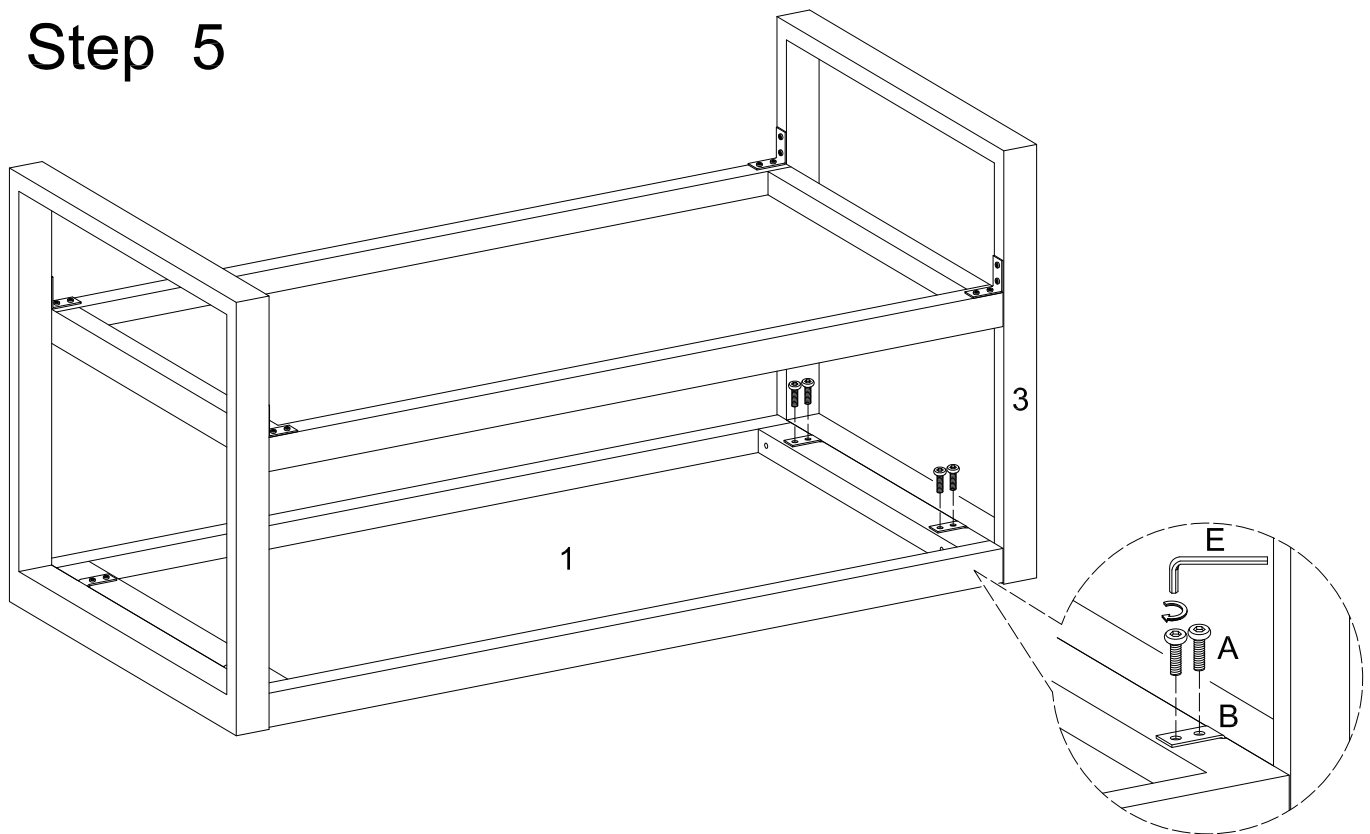
Repeat Step #2 for the other Metal Frame (3).

Step 4



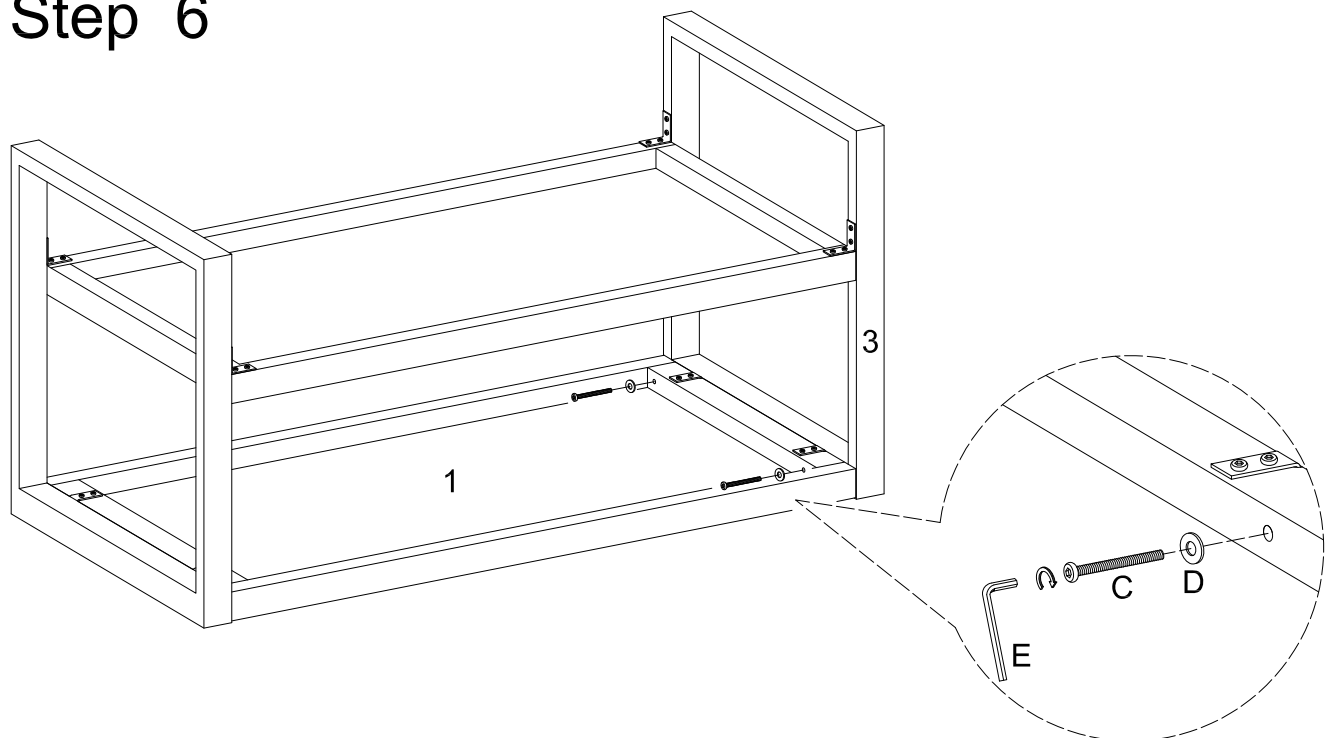
Up side down the Metal Frame (3) and the Wooden Panel (1) on a flat surface, Secure the wooden panel with the Bolts (A), the L-Shape Connector (B) and the Wrench (E).

Step 5



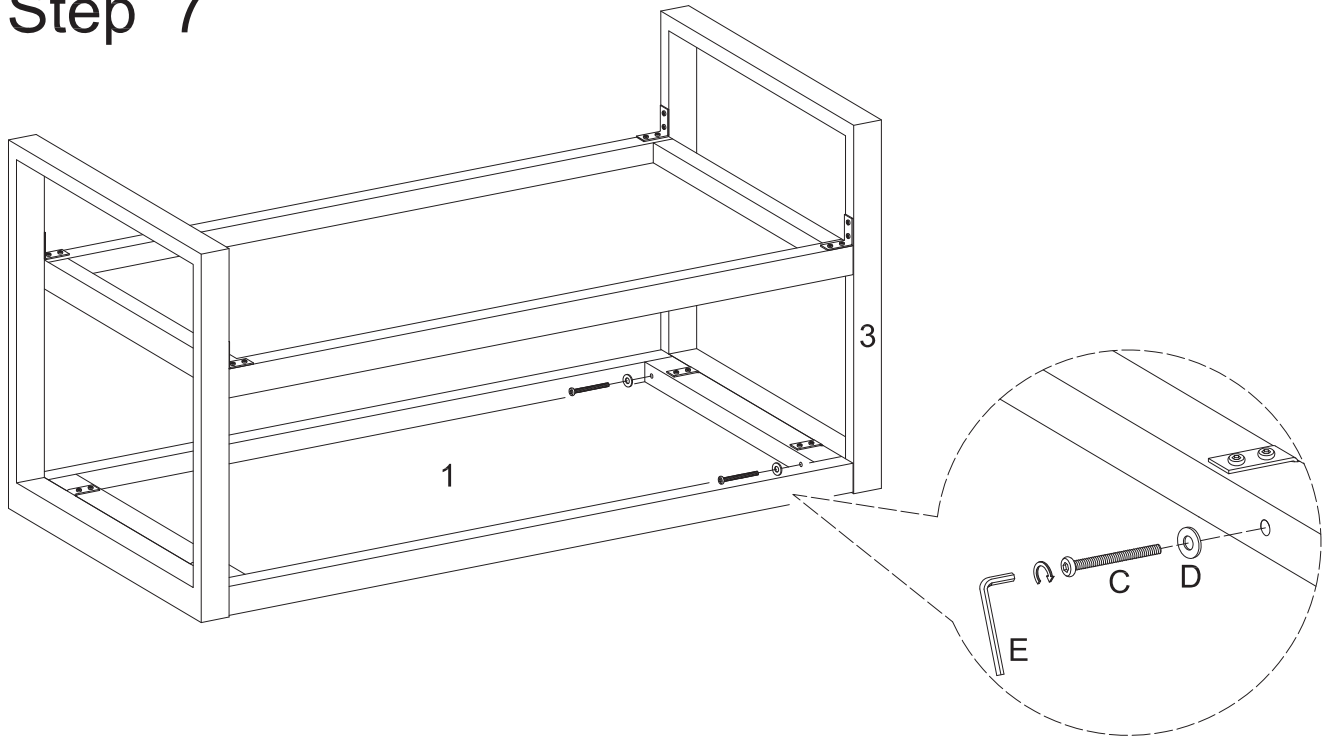
Repeat Step #4 for the other side

Step 6



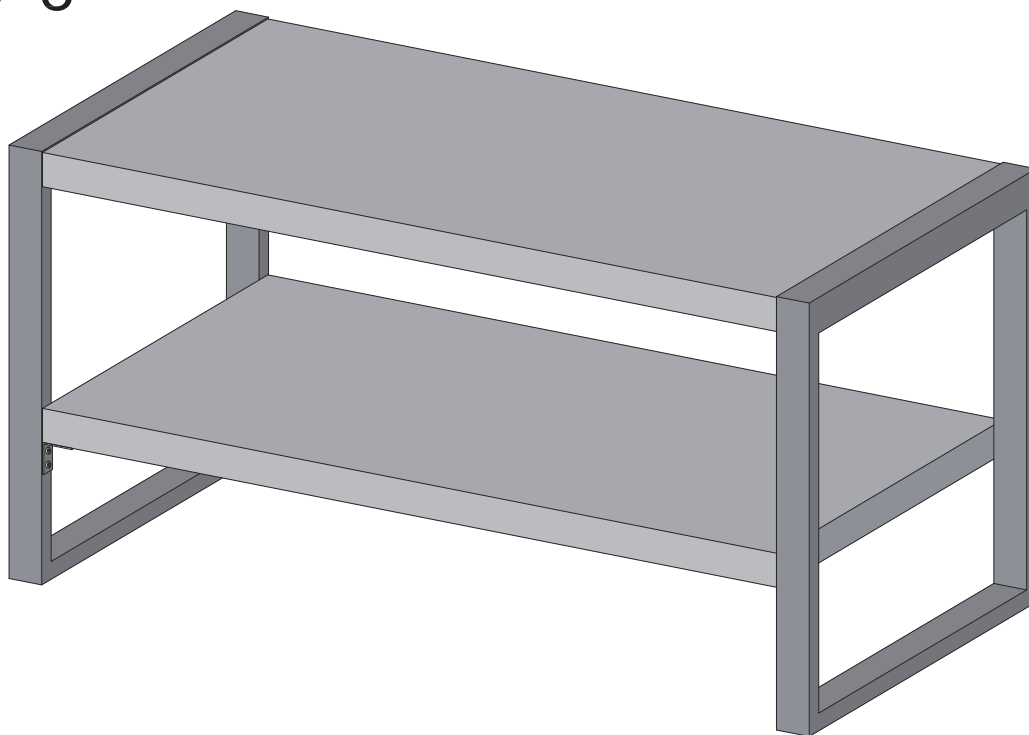
Use Washer (D), Bolts (C) and Wrench (E) to secure the Wooden Panel (1) to the Metal Frame (3).

Step 7



Repeat Step #6 for the other side.

Step 8



Final Assembly